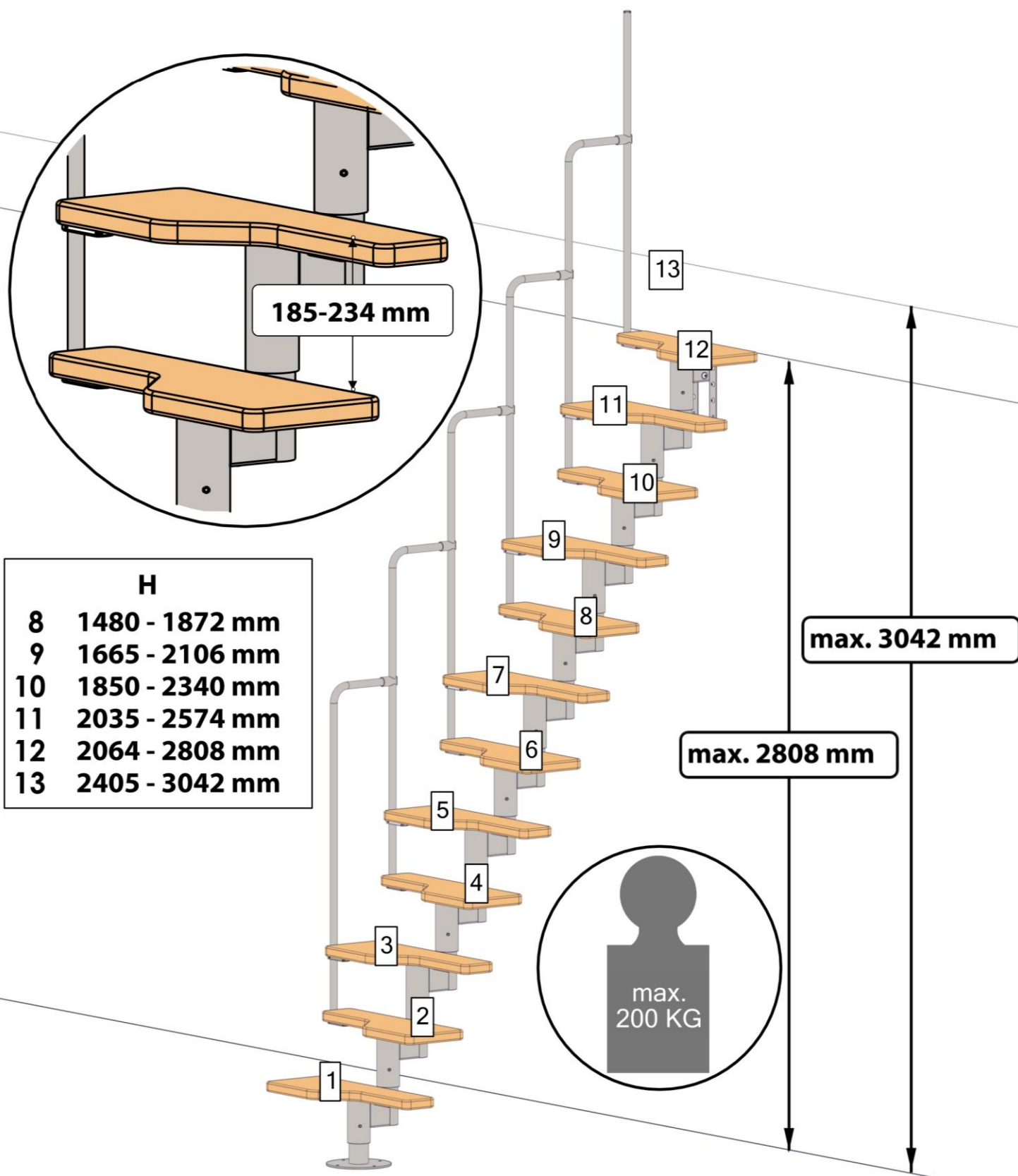


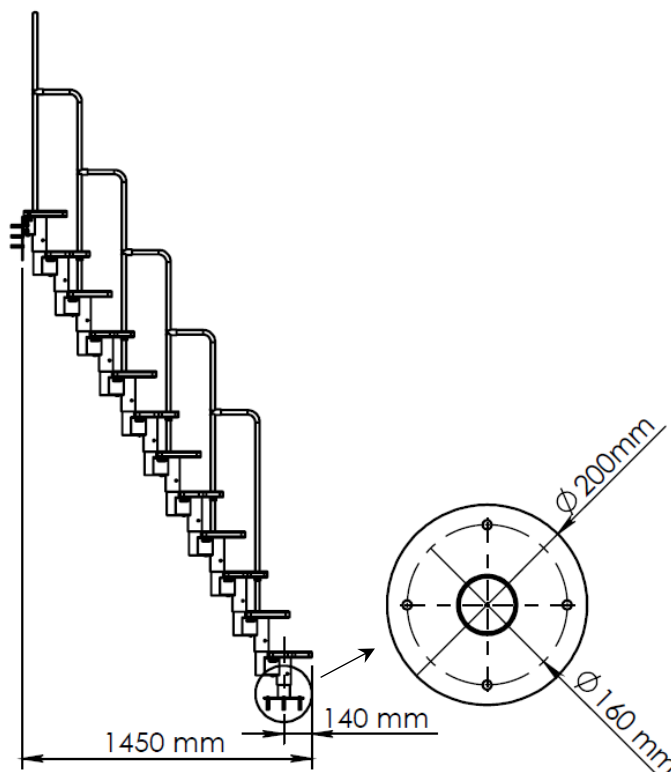
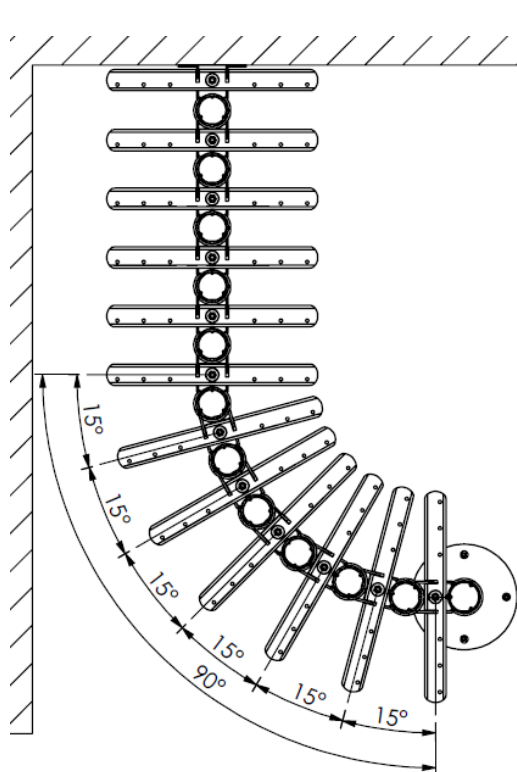
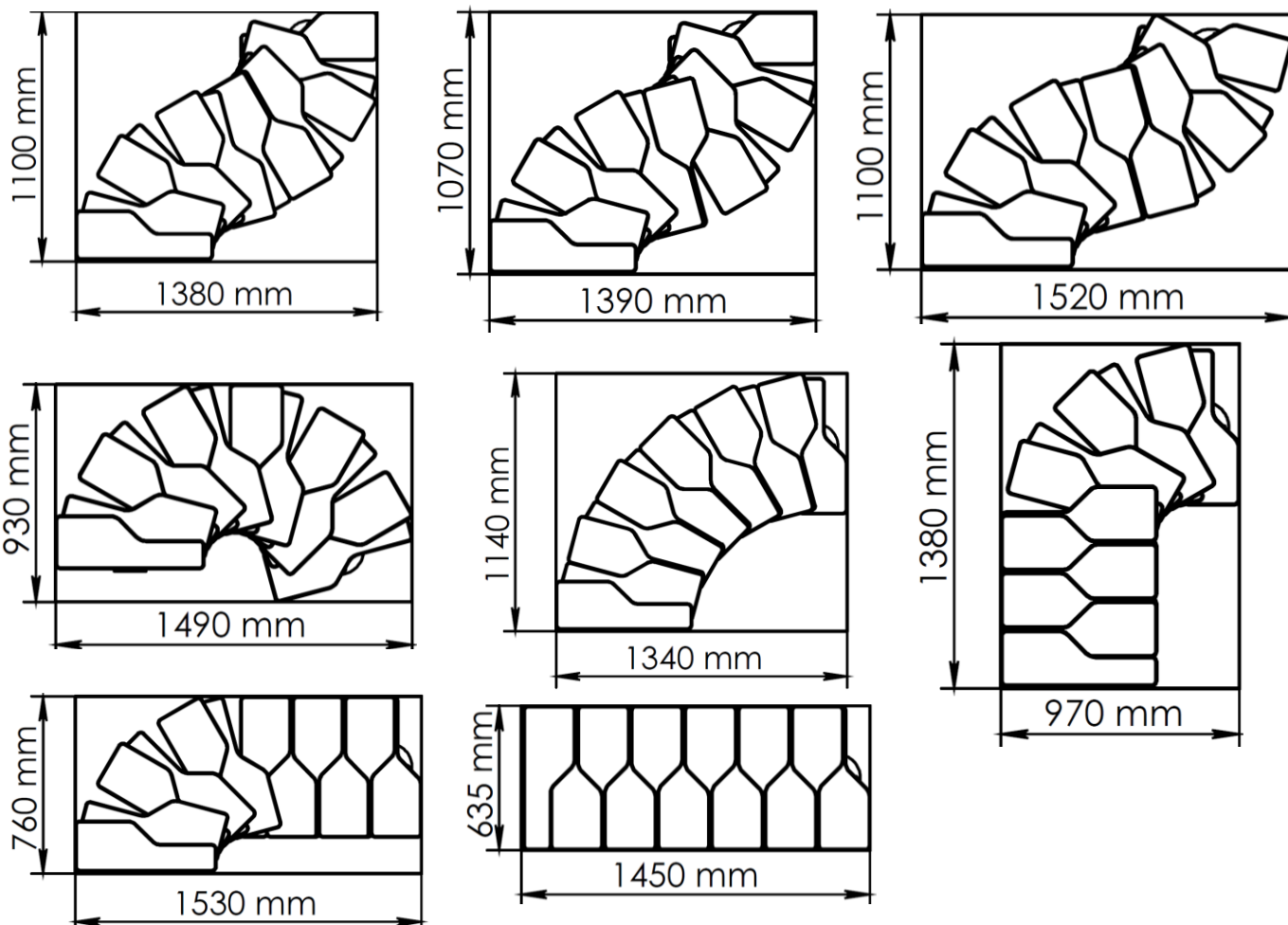
EB-10012-01

TWISTER



EB-10012-01

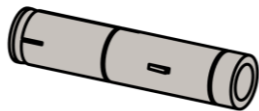
TWISTER



EB-10012-01

TWISTER

10 x



D01 M8x55 mm

1 x



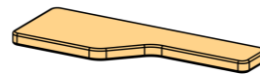
GS27 Ø22x1x1034mm

7 x



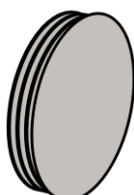
GS29 Ø22x1x1050x210mm

12 x



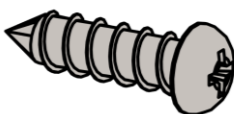
HS09

9 x



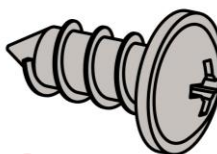
KS01 Ø22mm

102 x



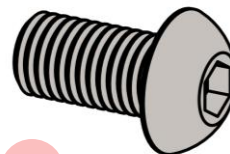
NT06 Ø5x30mm

14 x



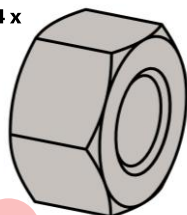
NT07 Ø4.2x19mm

4 x



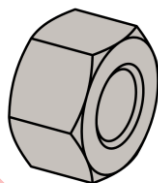
NT18 M10x20mm ISO7380

4 x



NT22 M10

12 x



NT24 M8

8 x



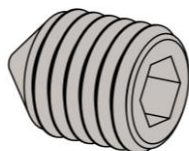
NT25 M10 DIN125A

10 x



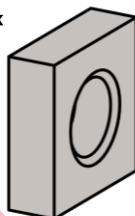
NT26 M8 DIN125A

15 x



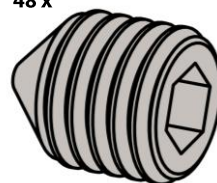
NT30 M5x6mm DIN914

15 x



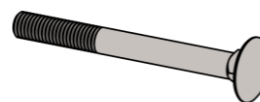
NT31 M5 DIN562

48 x



NT32 M10x8mm DIN914

12 x



NT35 M8x80mm ISO8677

12 x



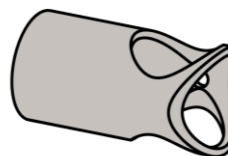
NT37 M8 DIN9021

10 x



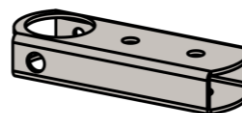
NT47 M8x60mm ISO7380-1

7 x



ST07

15 x



ST22

10 x



ST31

12 x



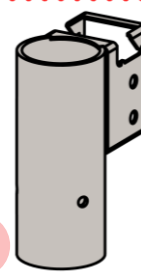
ST32

1 x



ST33

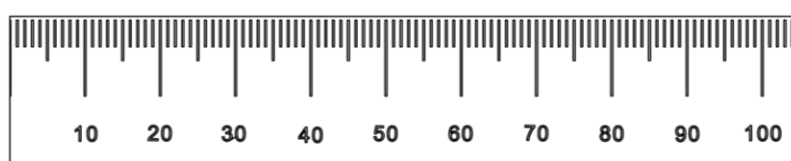
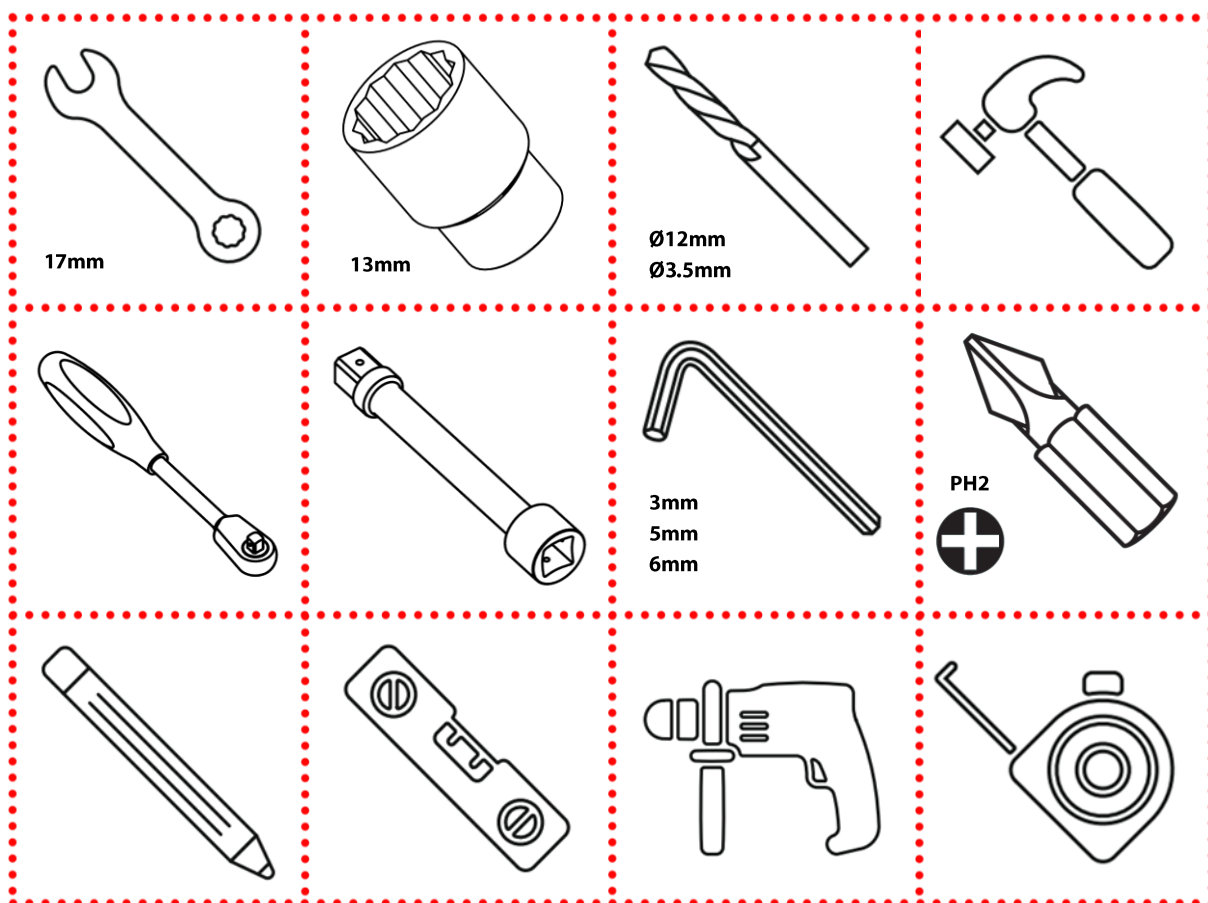
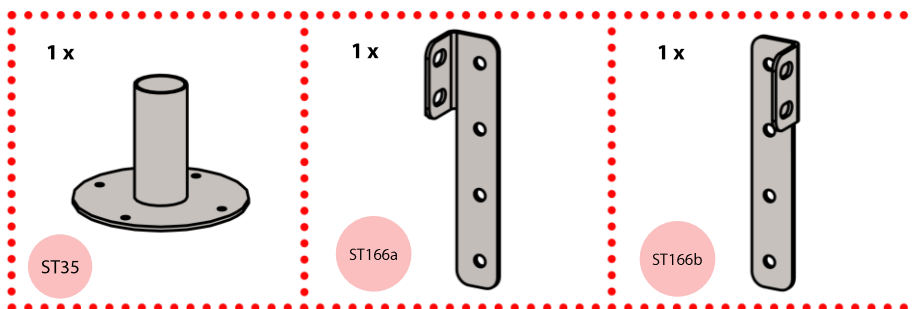
1 x

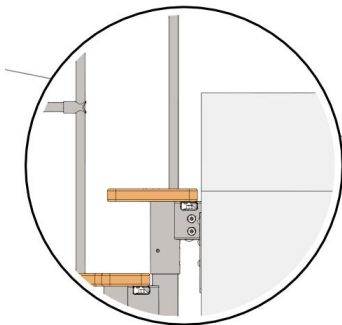
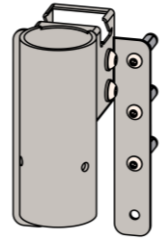
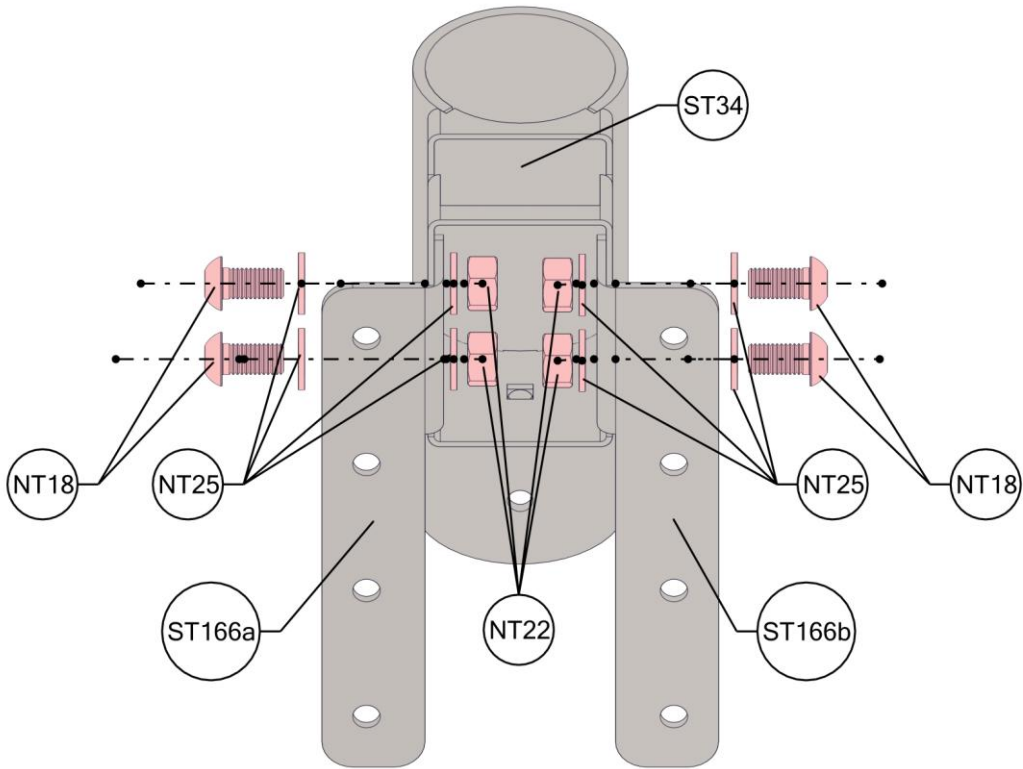
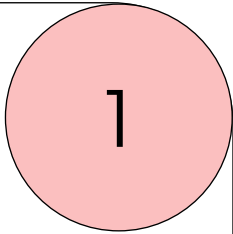
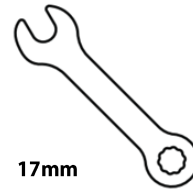
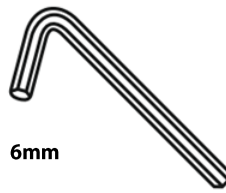


ST34

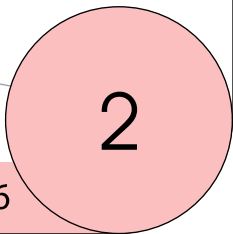
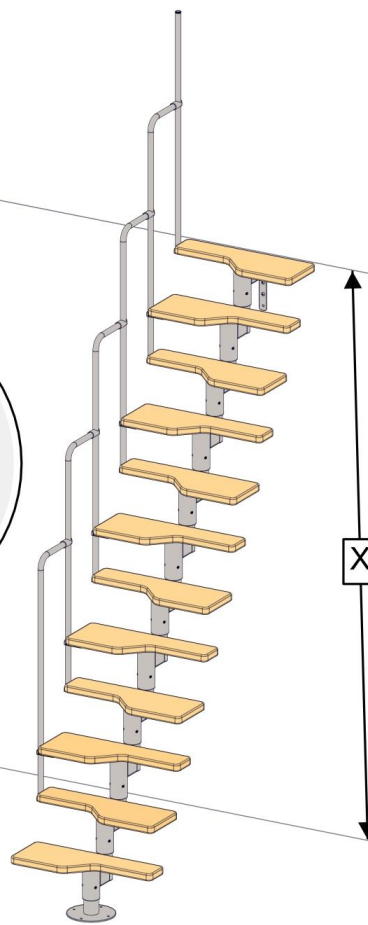
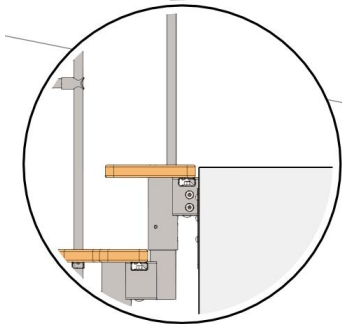
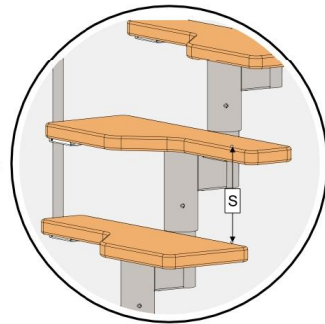
EB-10012-01

TWISTER

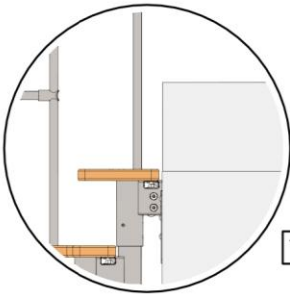
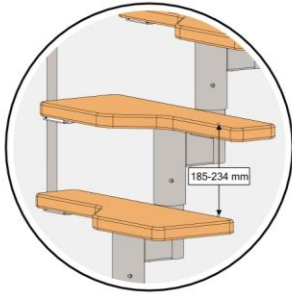
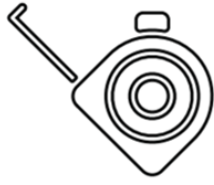




$$X/13 = S$$
$$X/12 = S$$

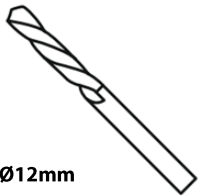
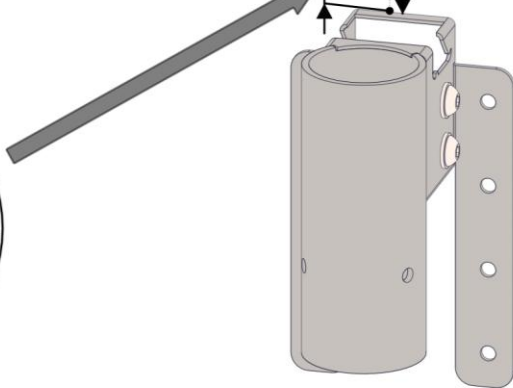
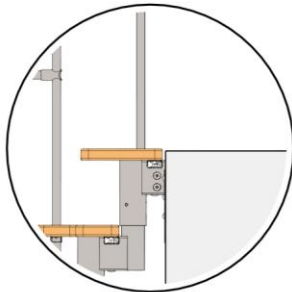


3

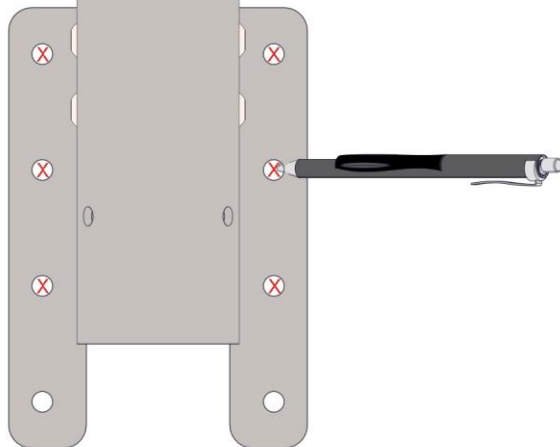
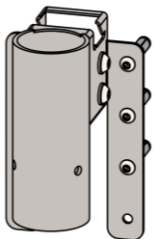
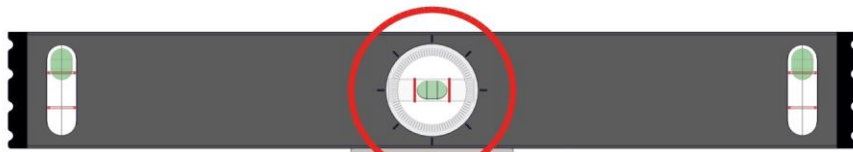
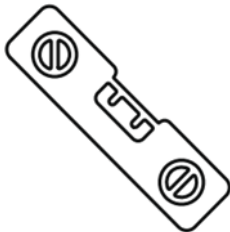


13xS: (185mm ↔ 234mm) + 35mm

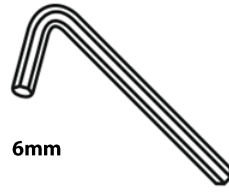
12xS:35mm



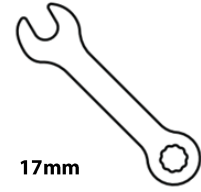
Ø12mm



4

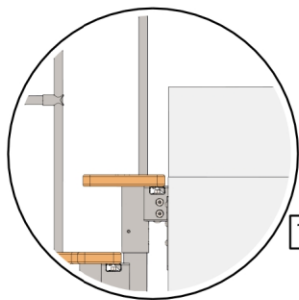
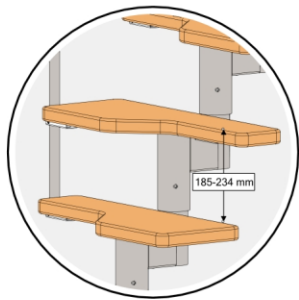
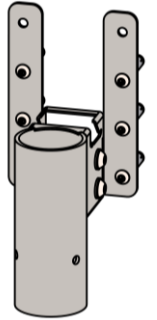
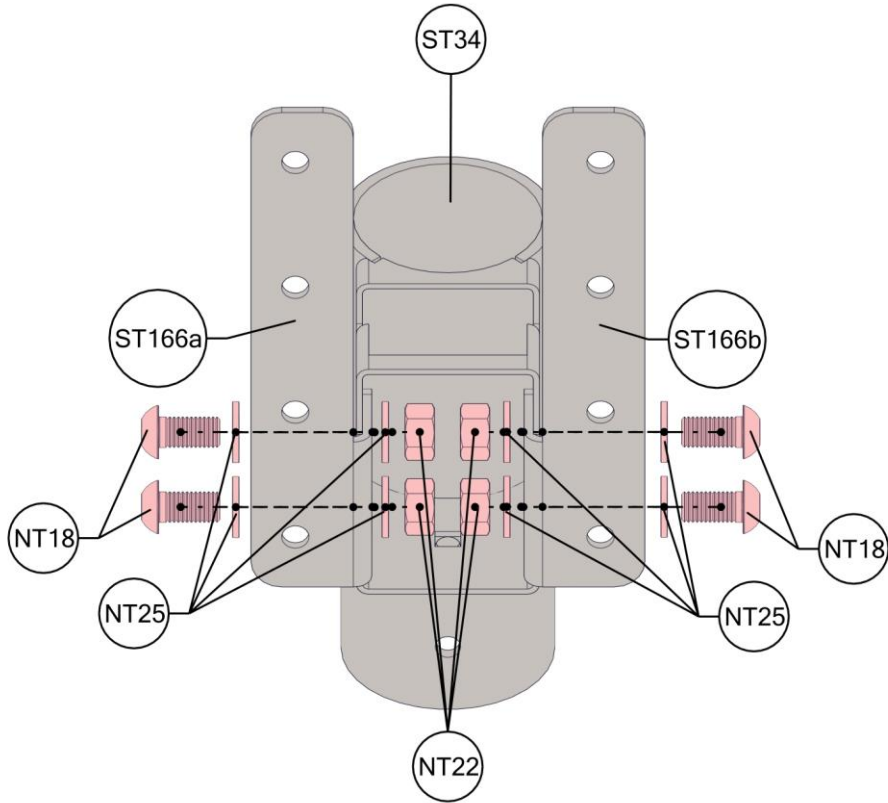


6mm

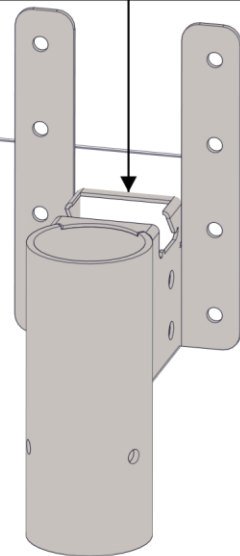


17mm

5



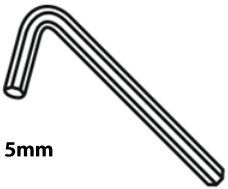
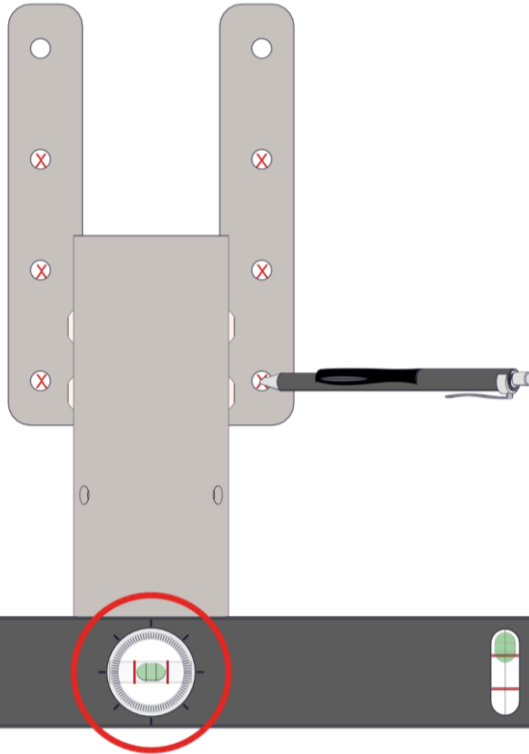
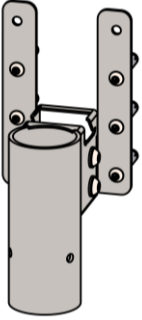
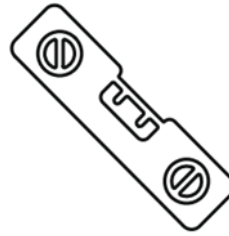
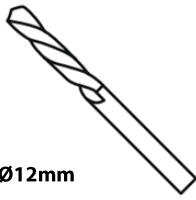
13xS: (185mm ↔ 234mm) + 35mm



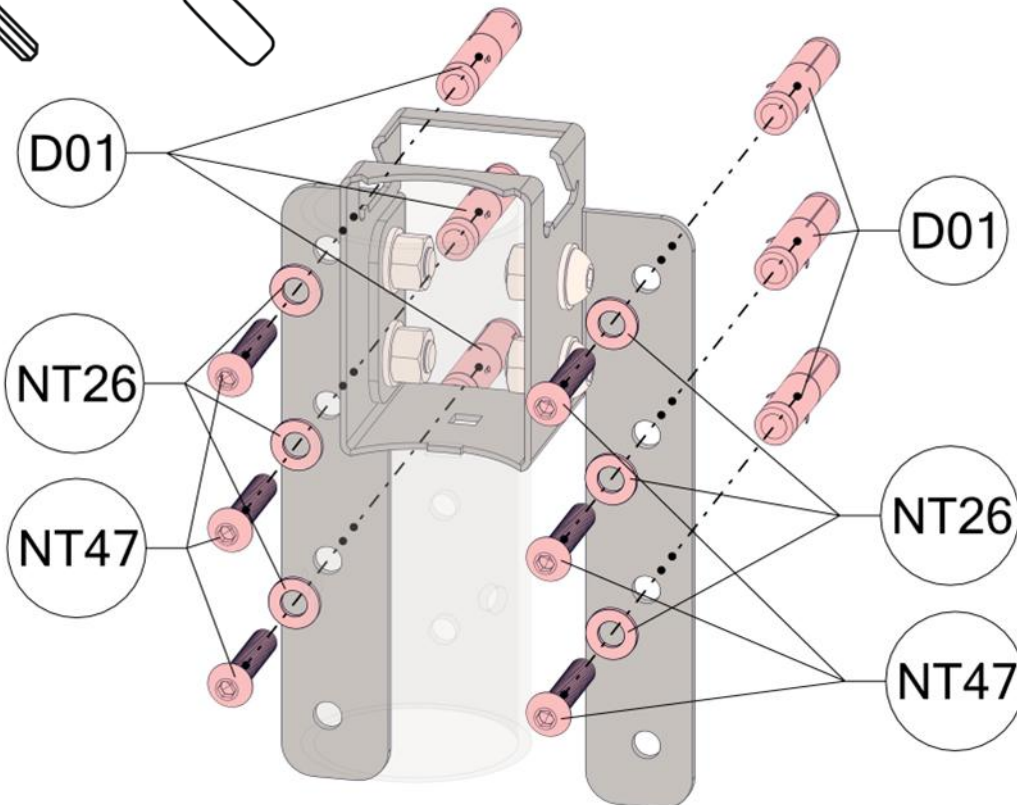
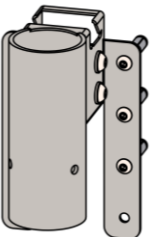
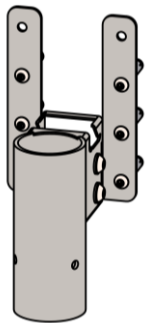
6

7

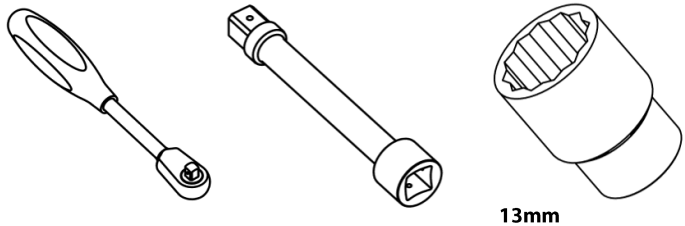
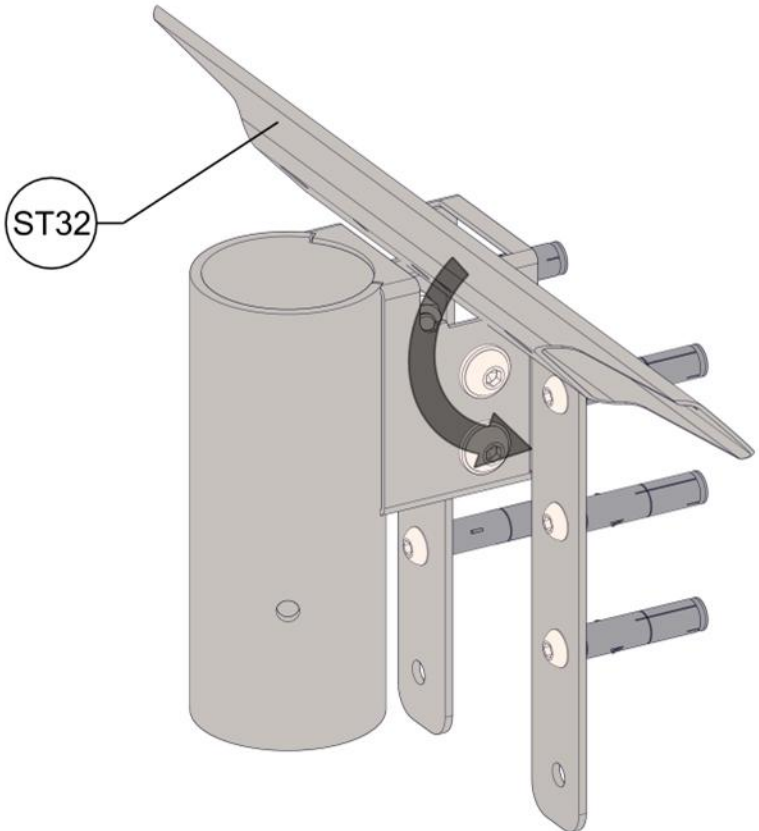
Ø12mm



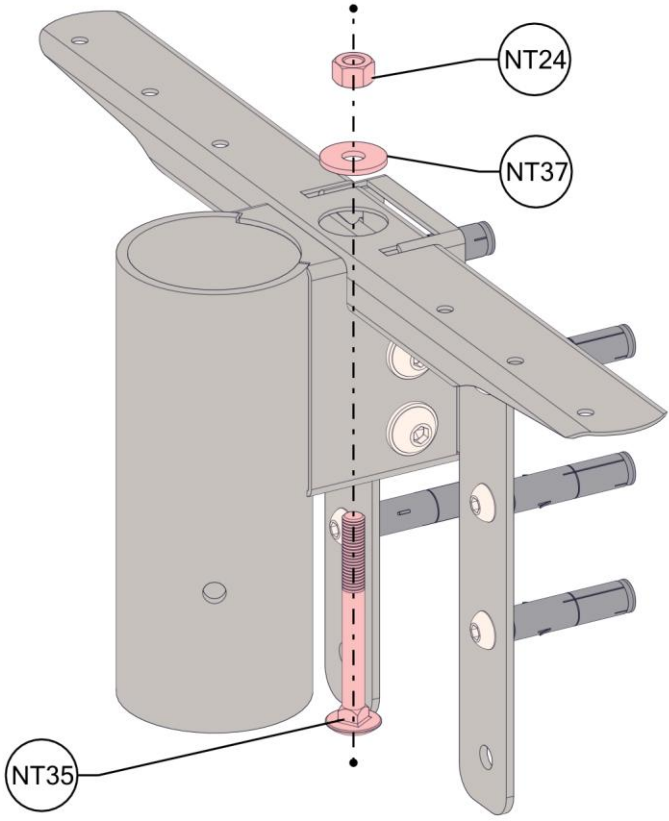
5mm



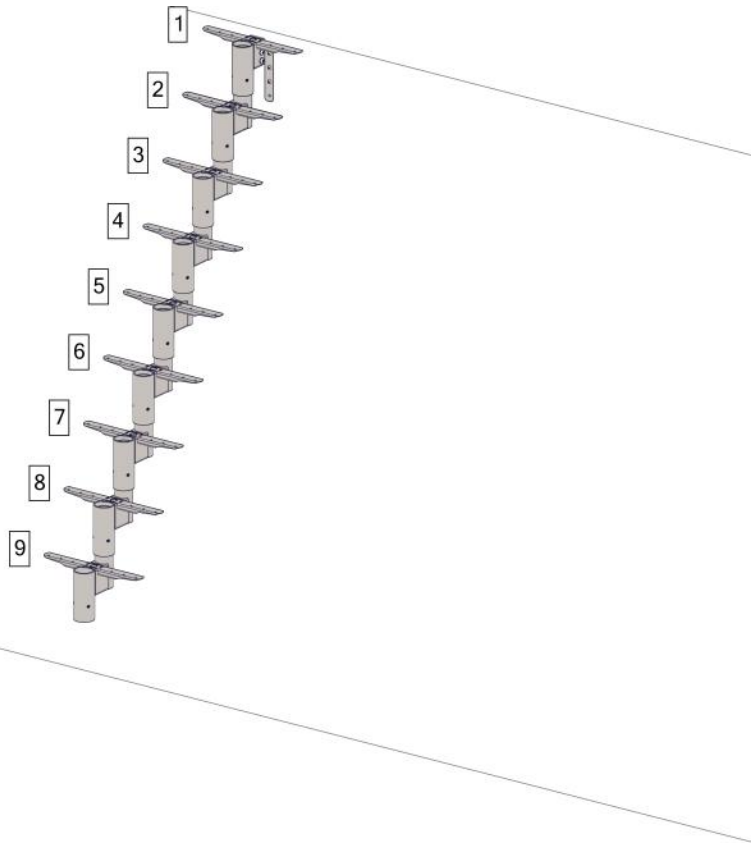
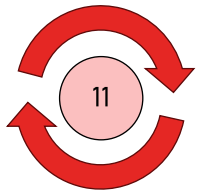
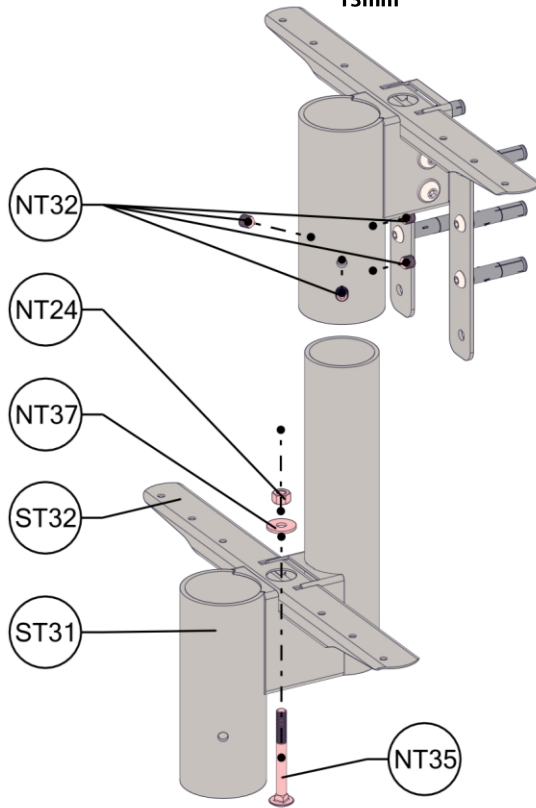
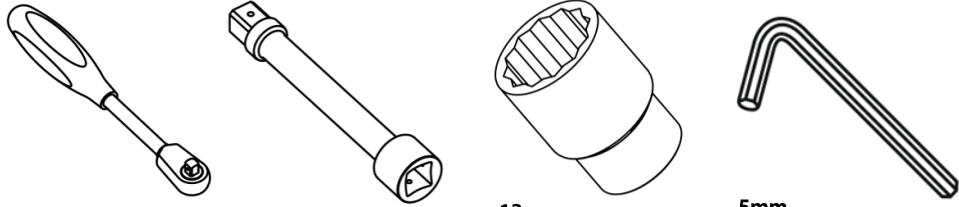
8



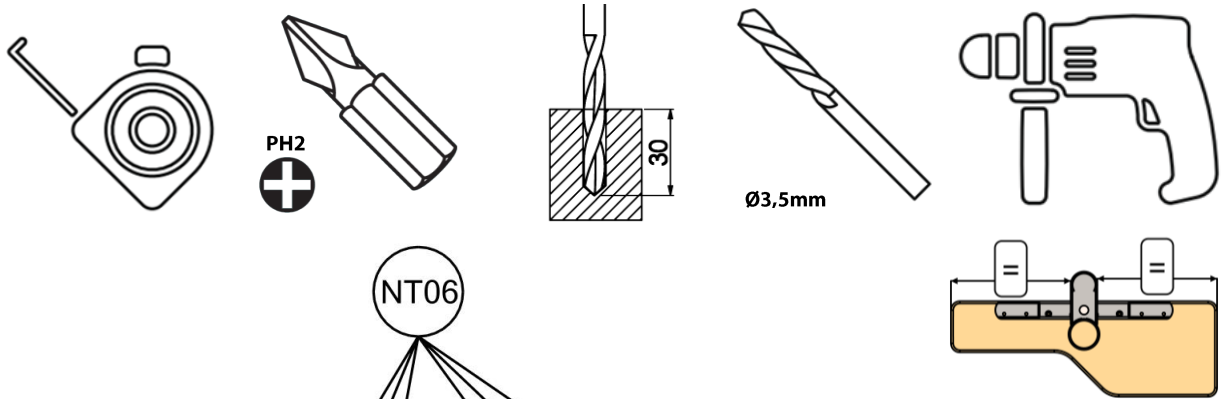
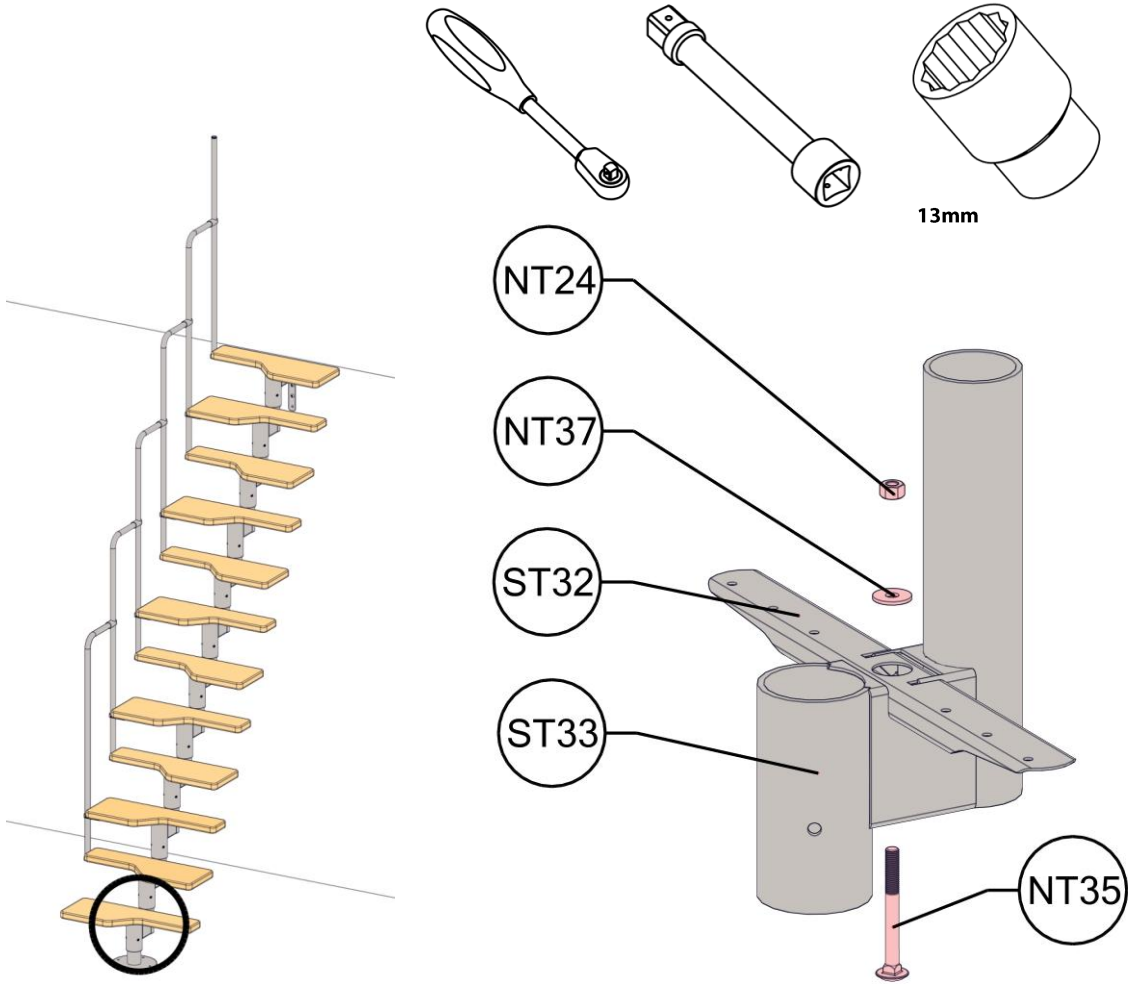
13mm



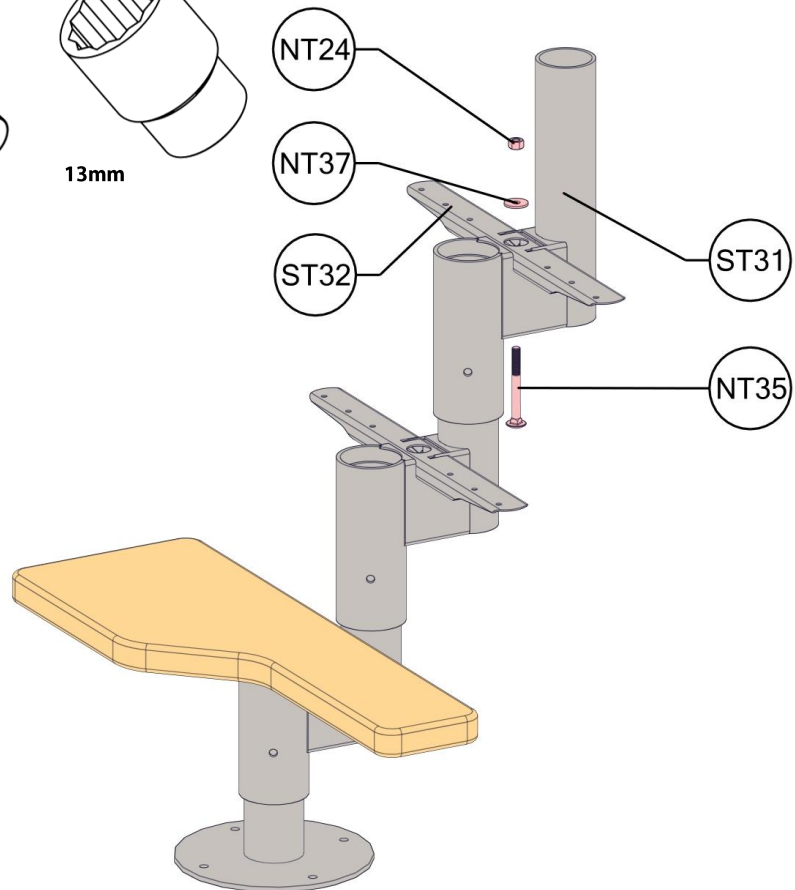
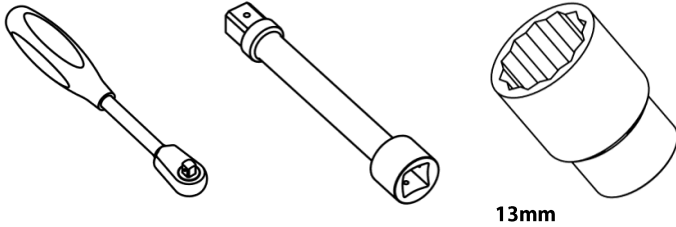
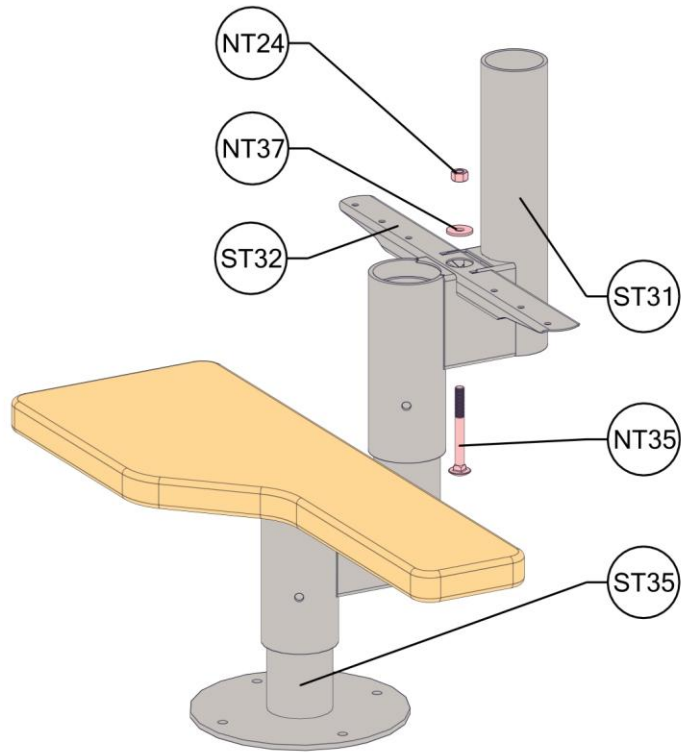
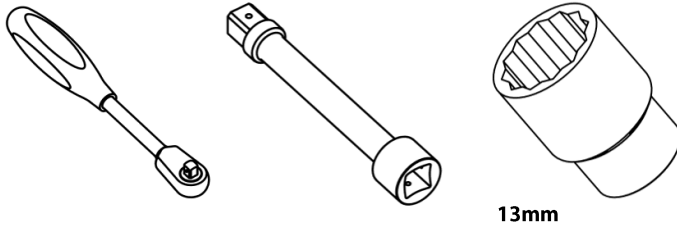
11



12

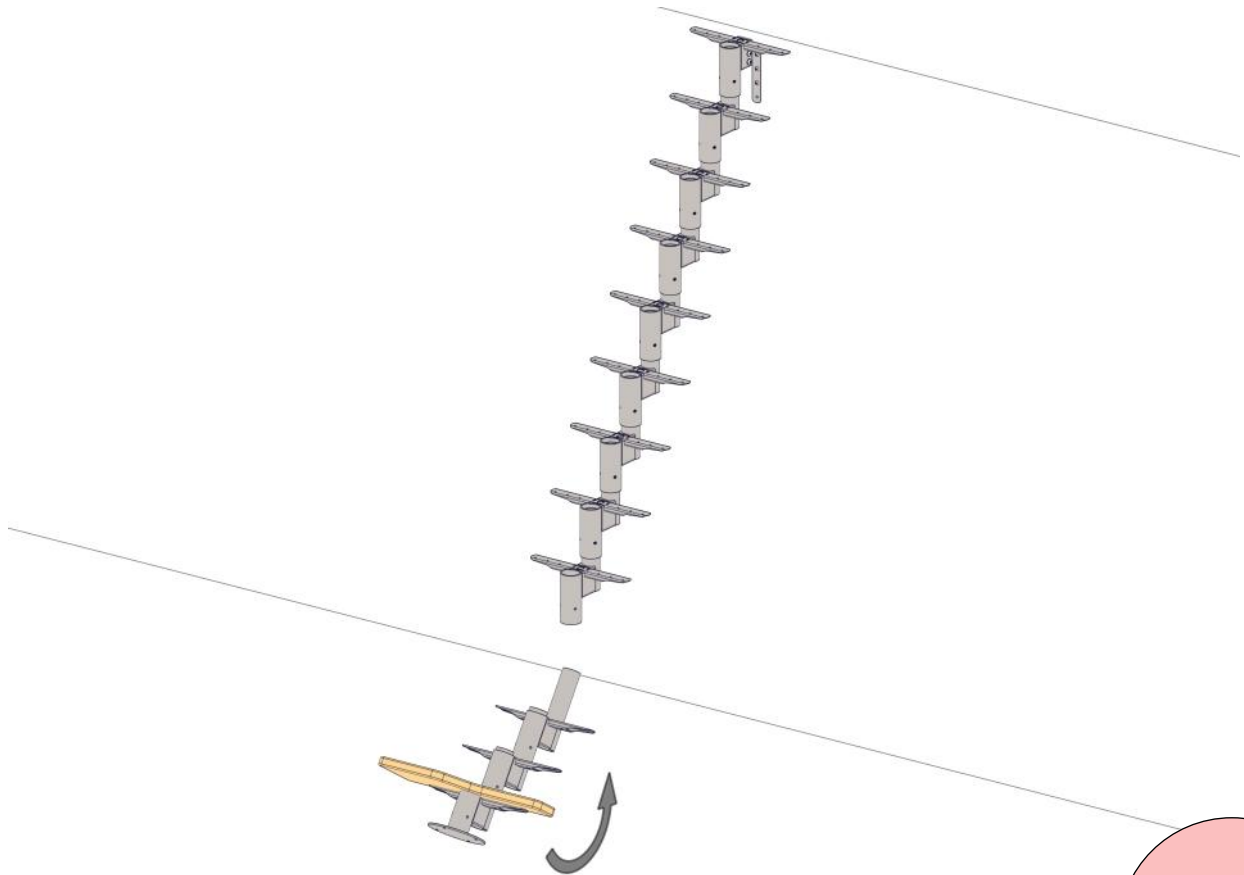
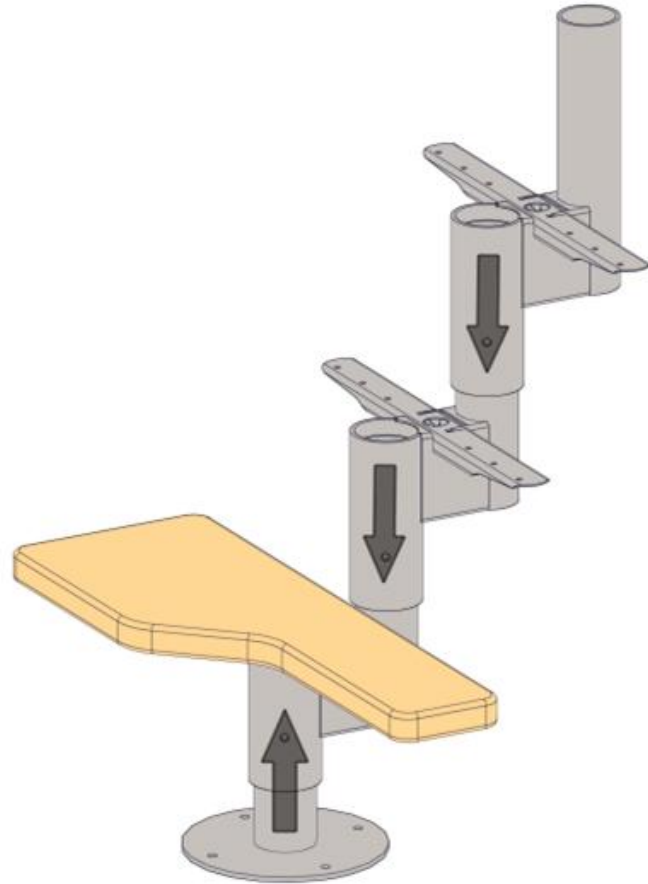


15



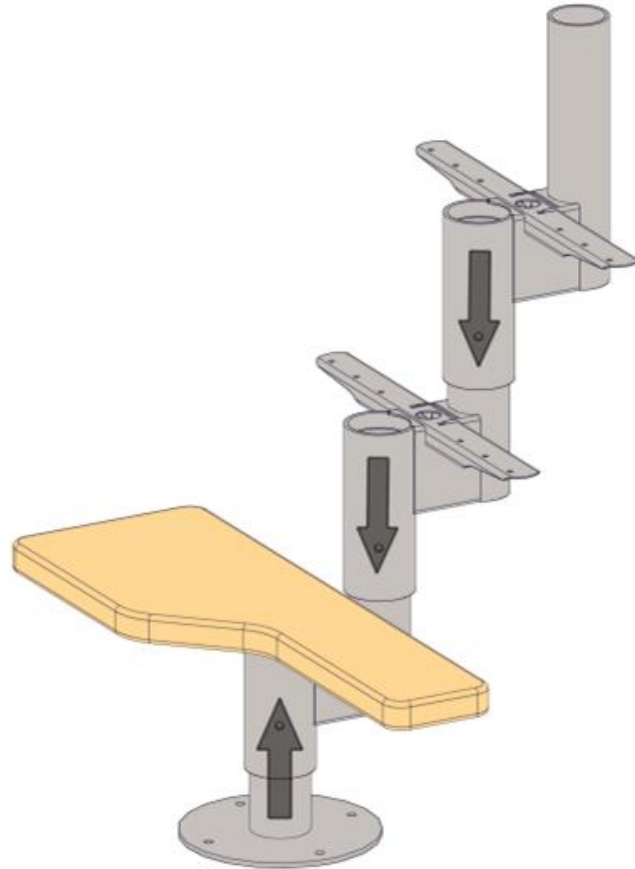
16

17



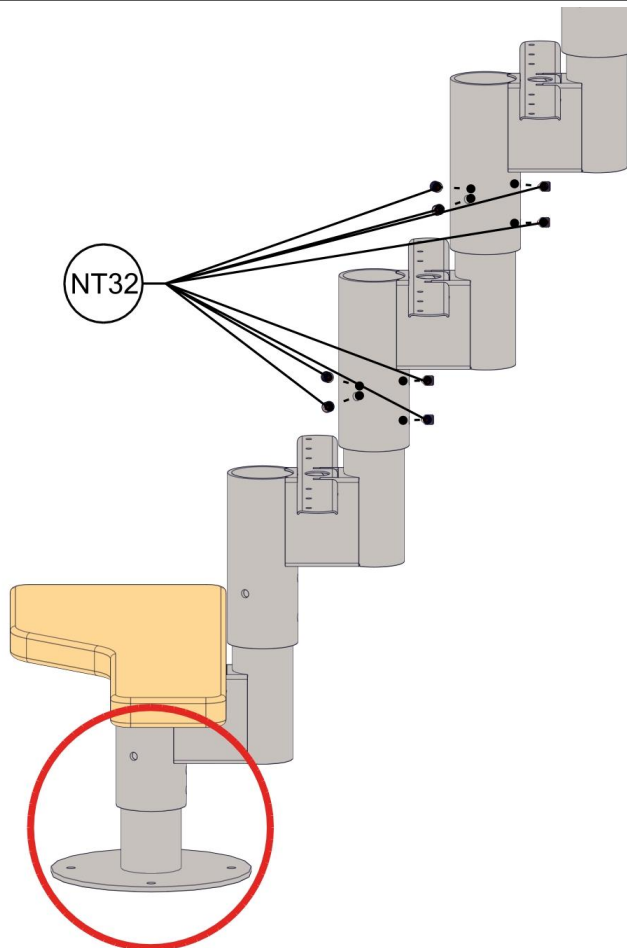
18

19

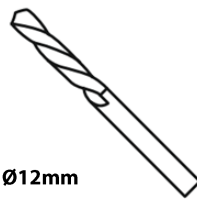


5mm

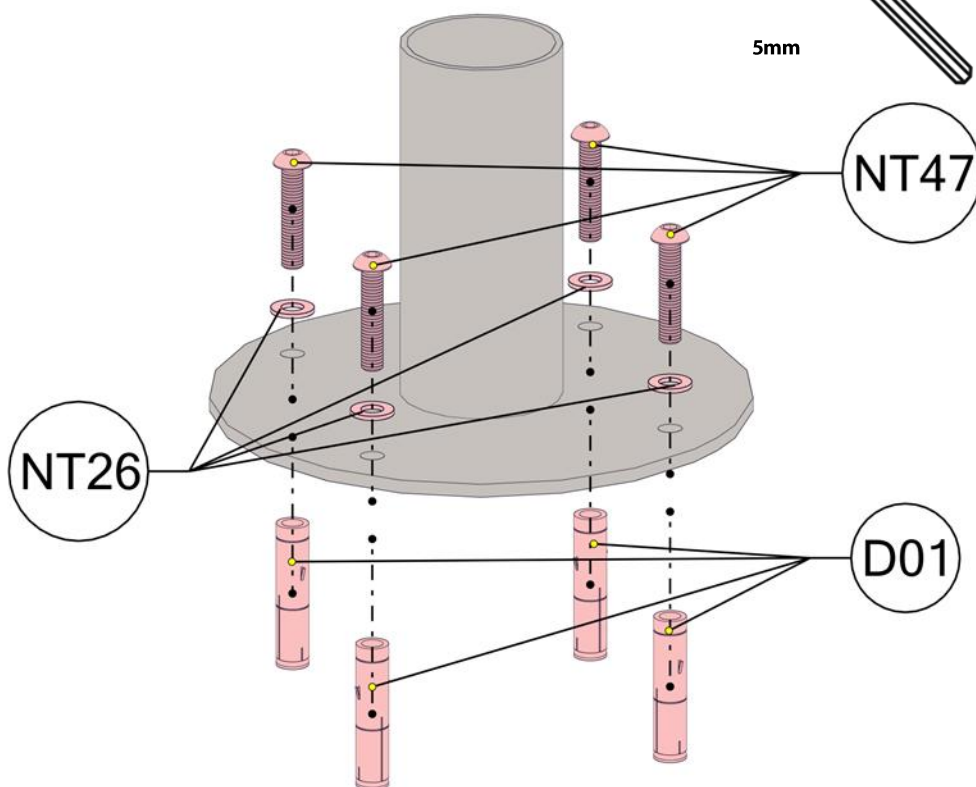
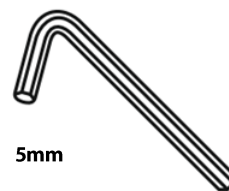
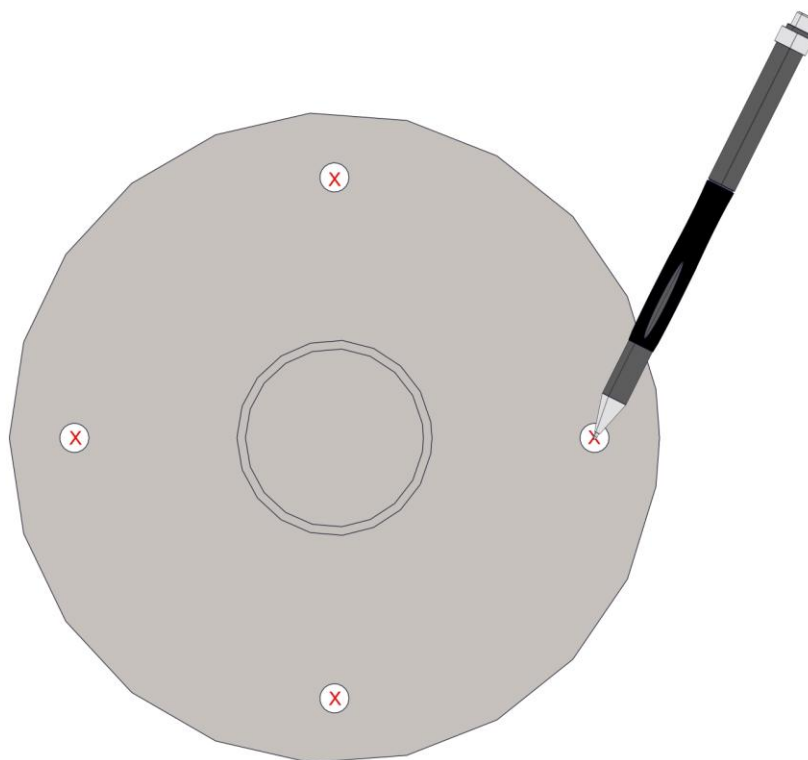
NT32



20

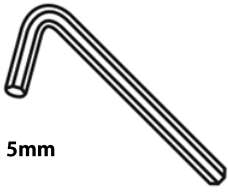


21

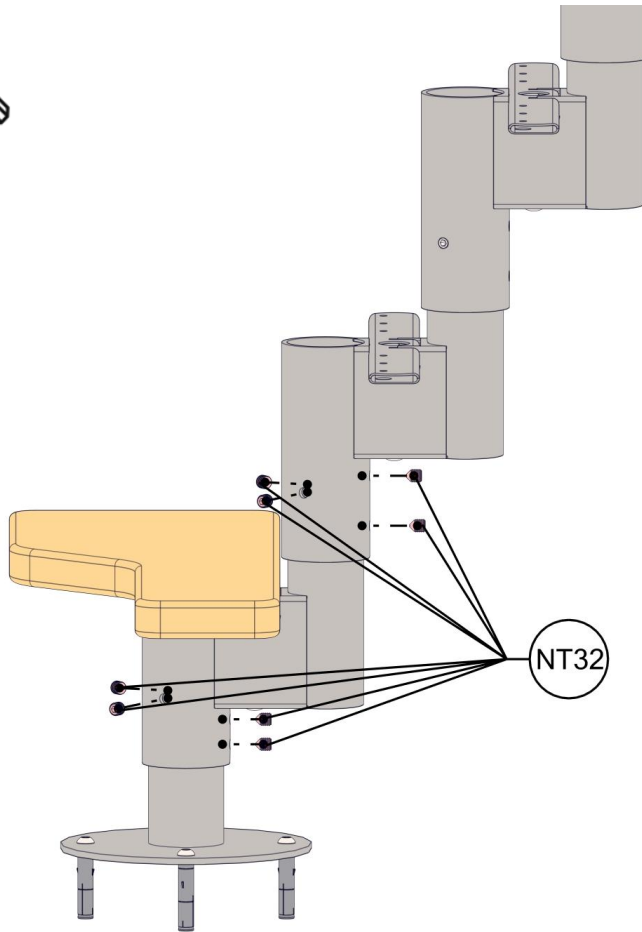


22

23



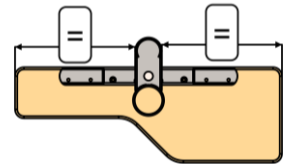
5mm



NT32



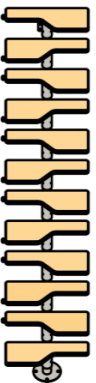
40mm



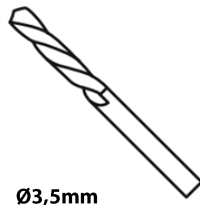
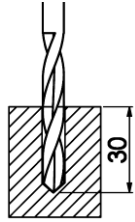
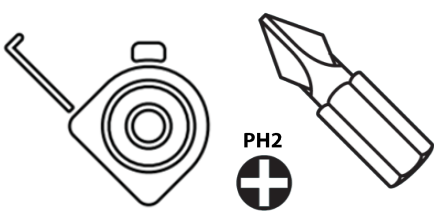
ST22

ST32

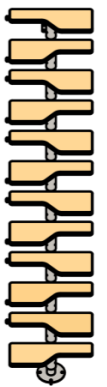
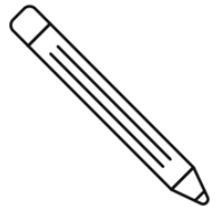
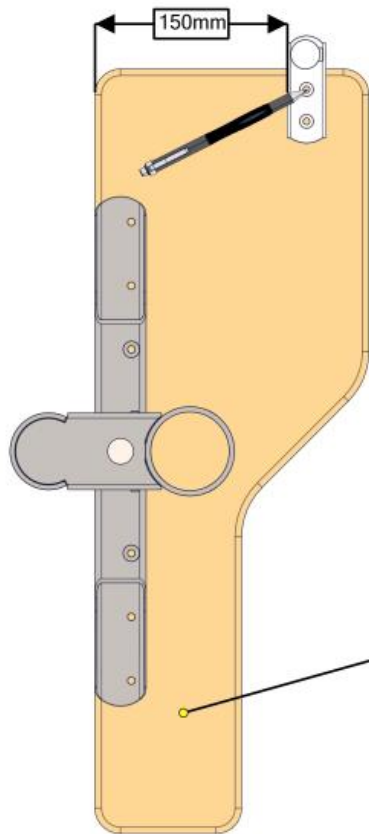
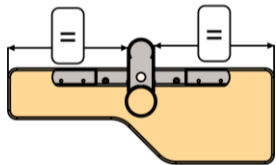
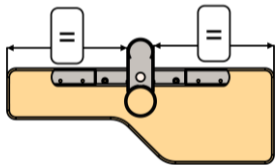
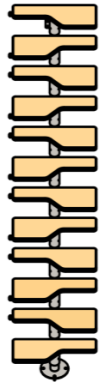
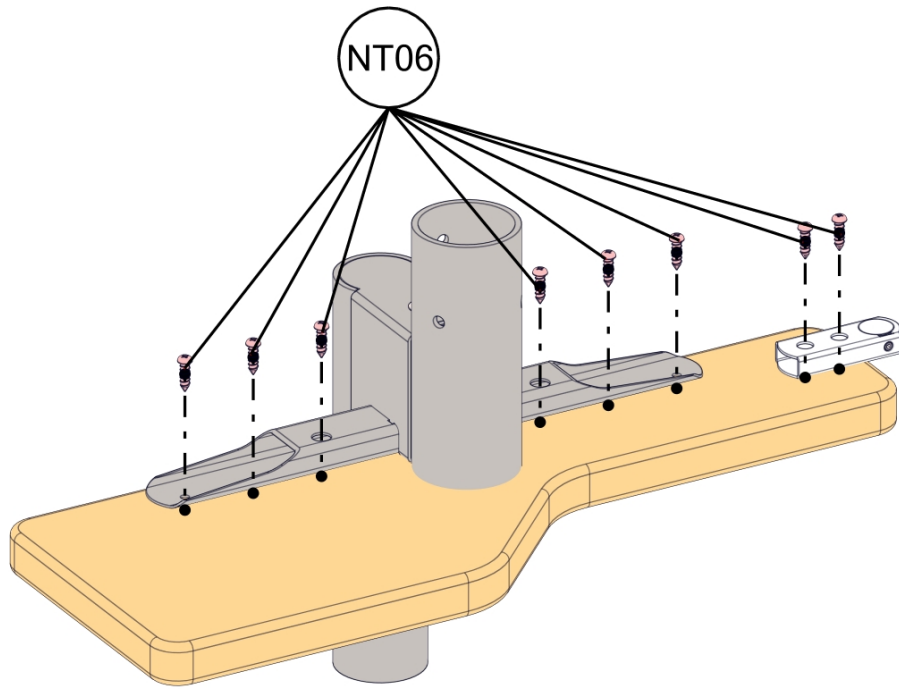
HS09



24

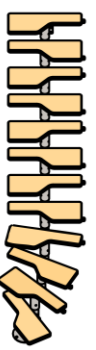
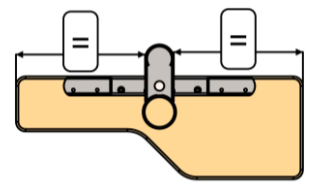
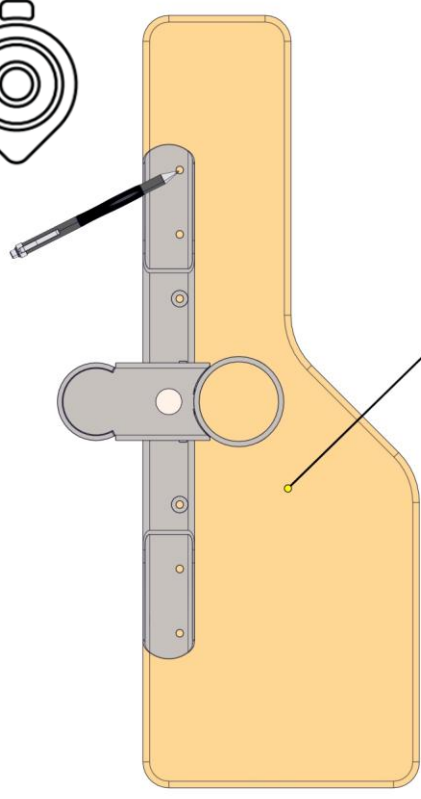
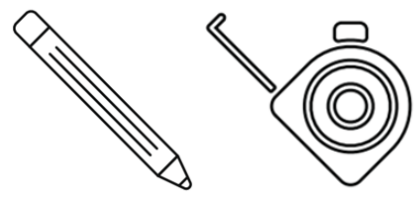
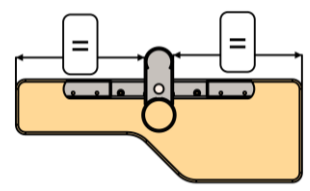
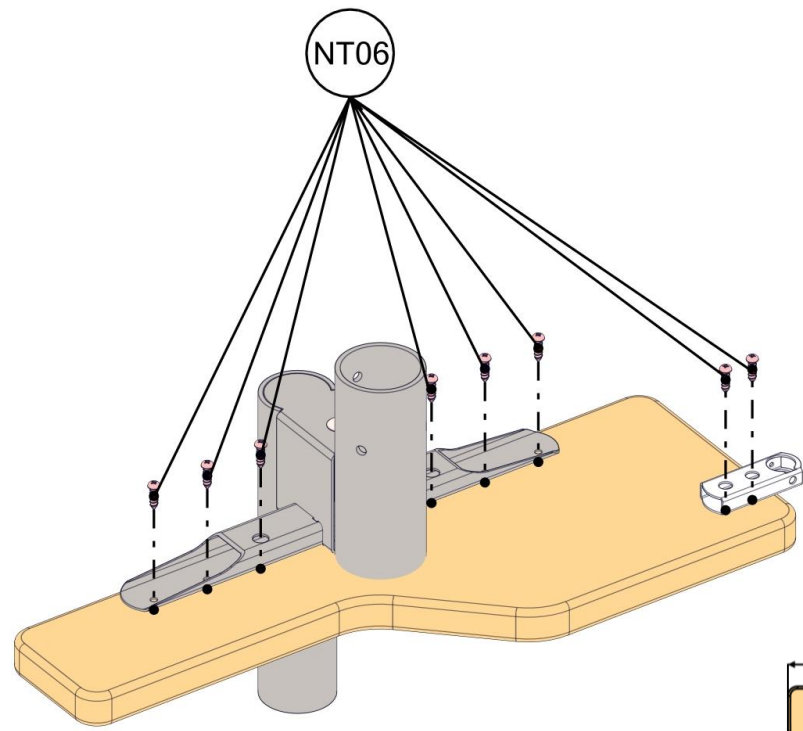
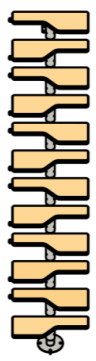
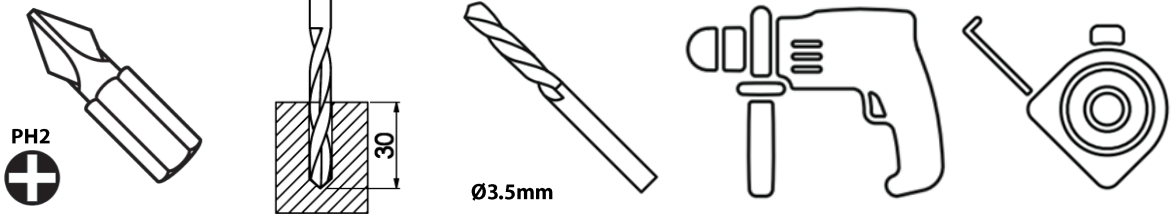


25

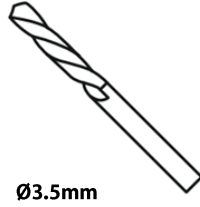
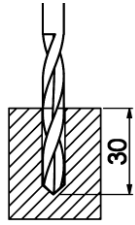
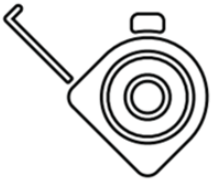


26

27

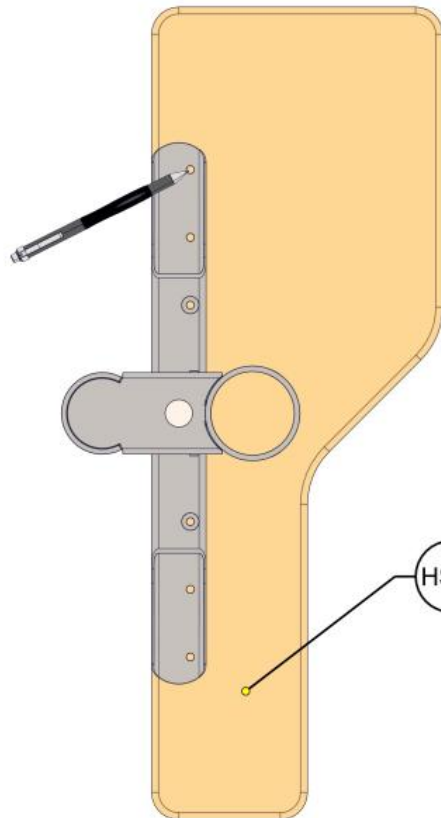
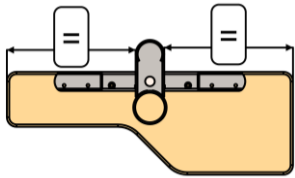
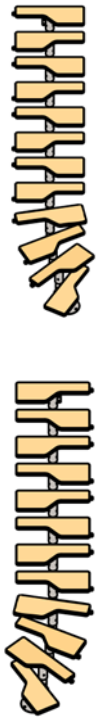
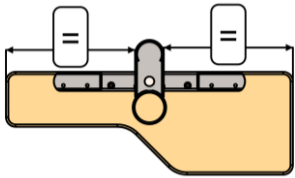
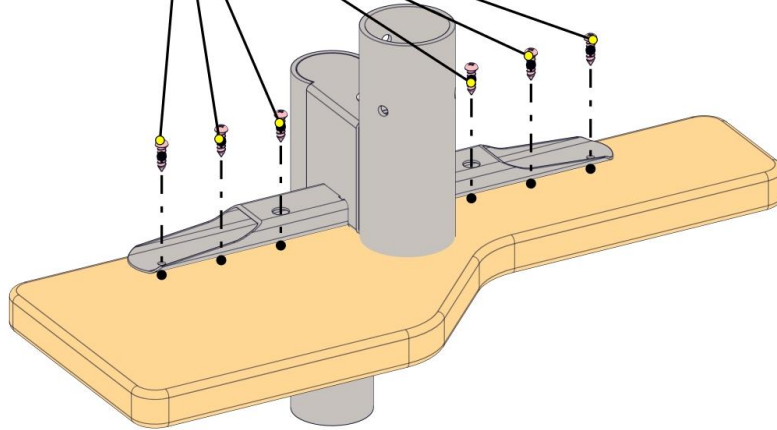


28



Ø3.5mm

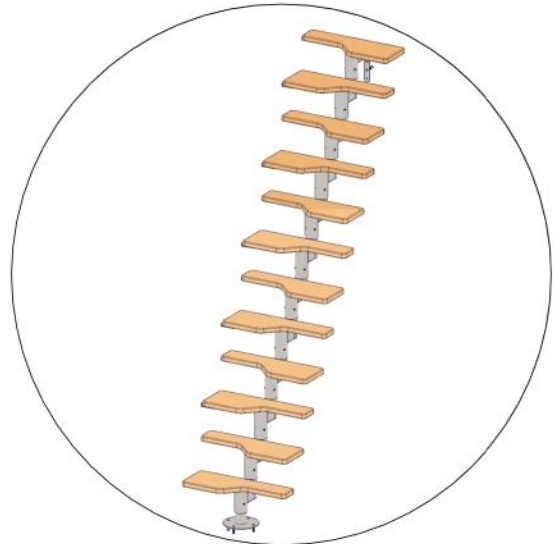
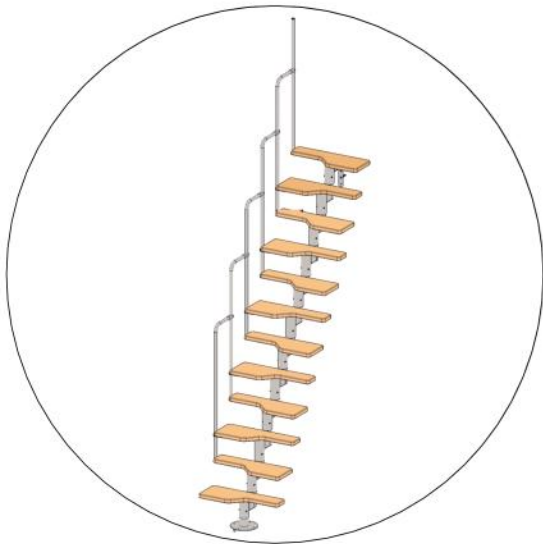
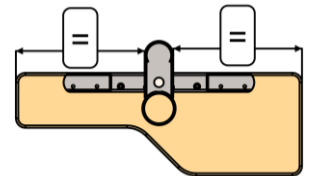
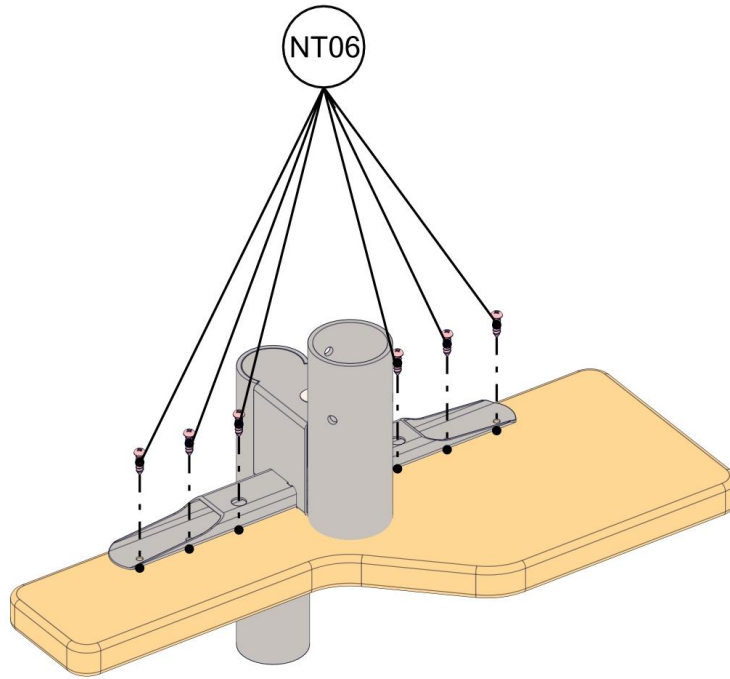
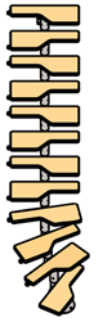
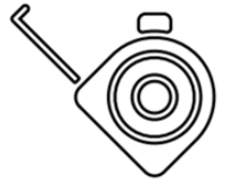
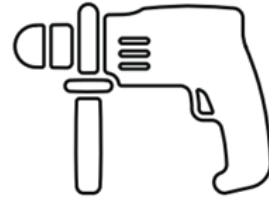
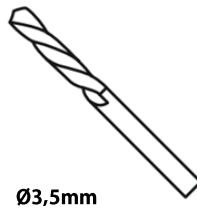
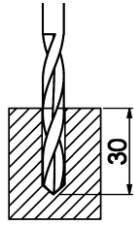
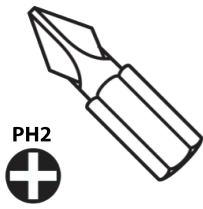
NT06



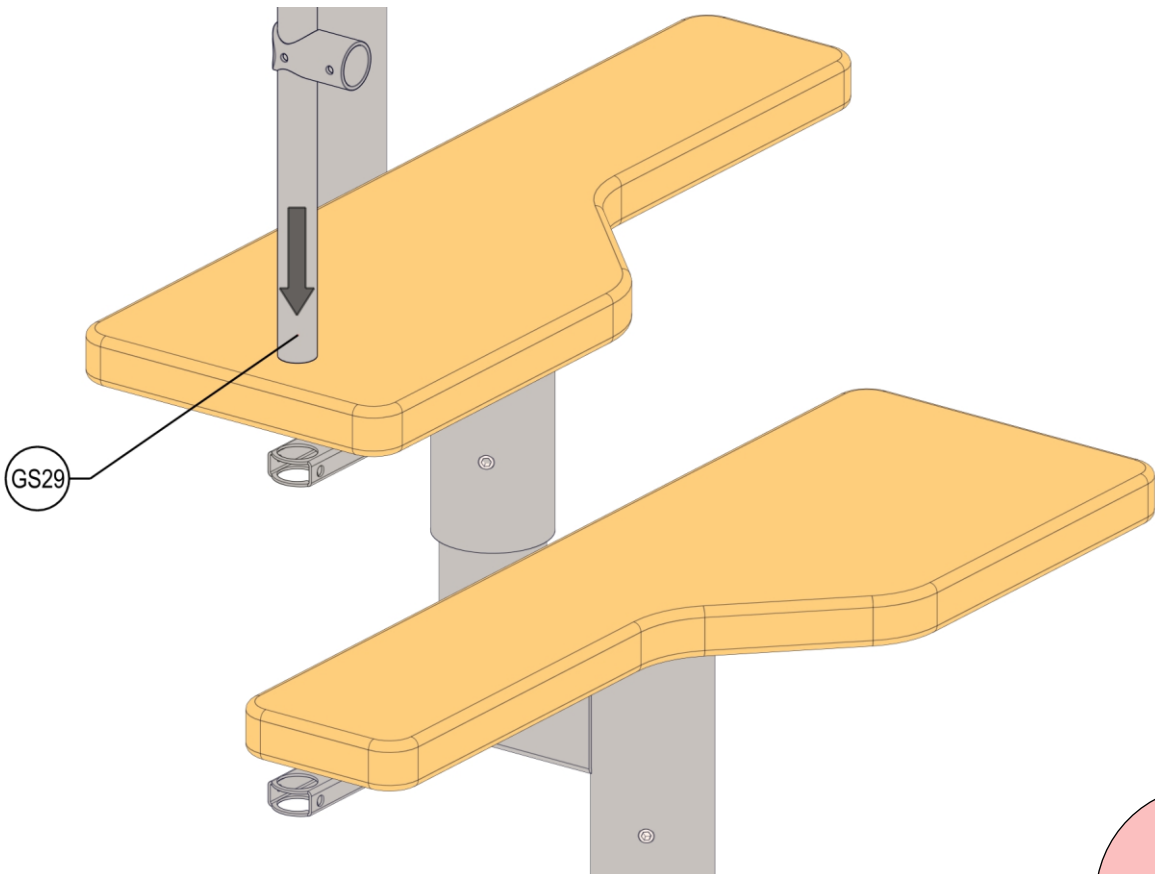
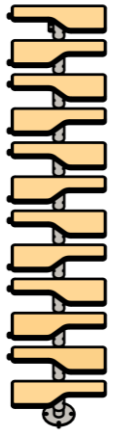
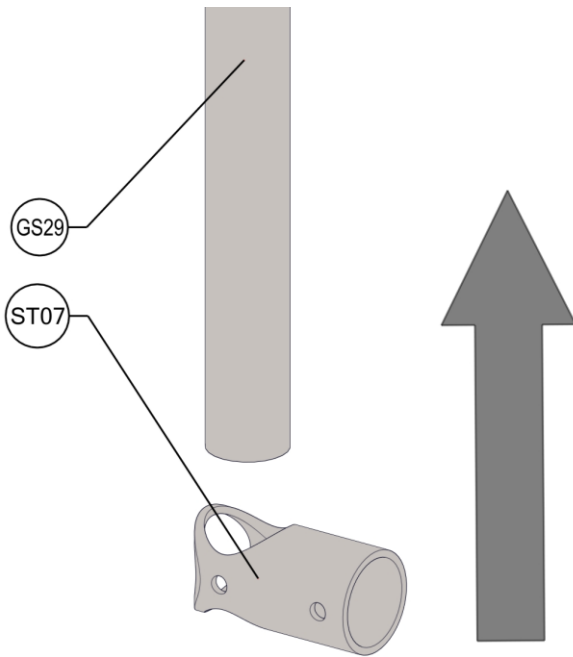
HS09



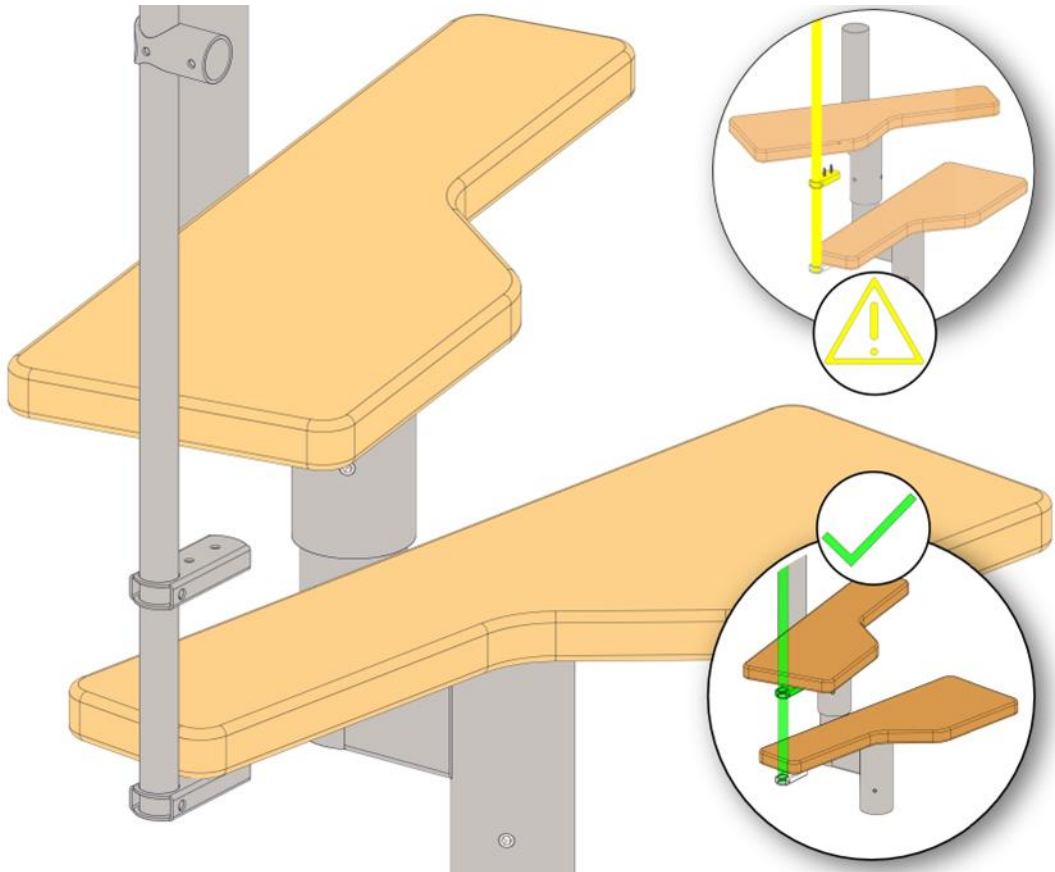
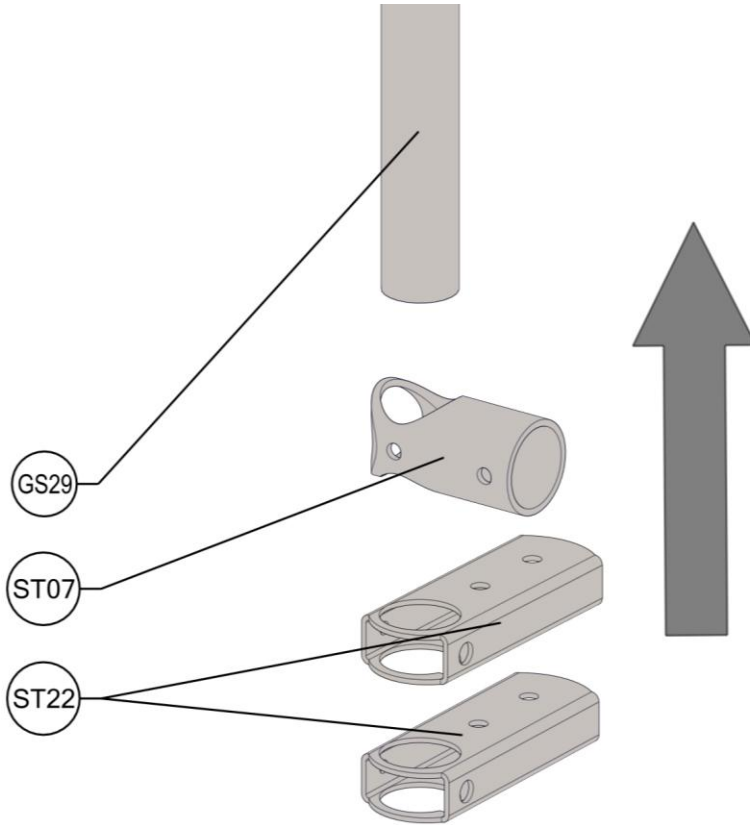
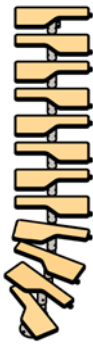
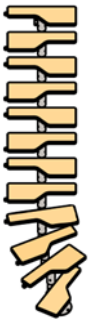
31



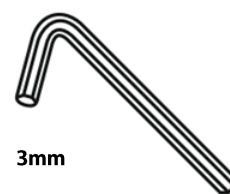
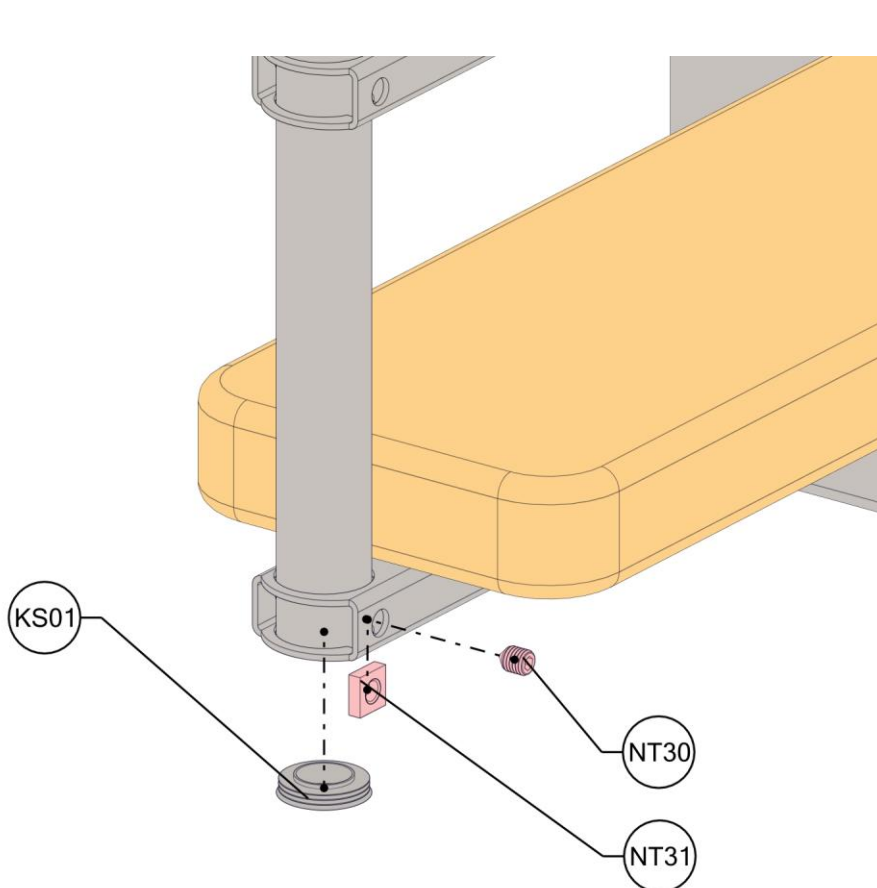
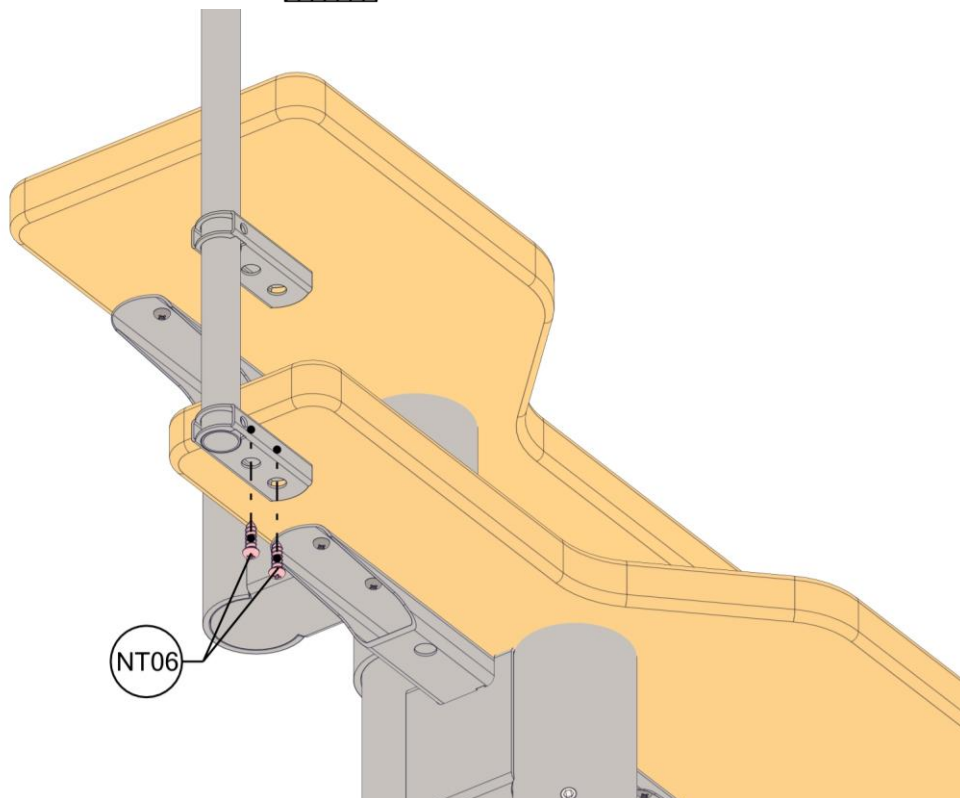
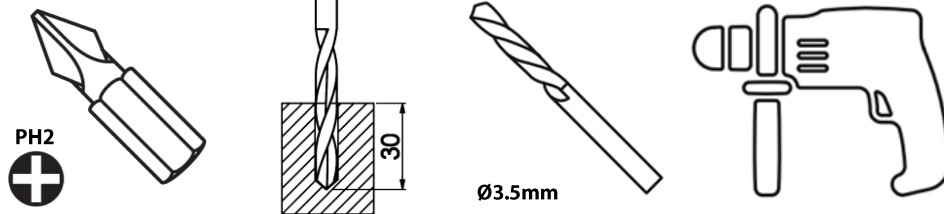
32



35



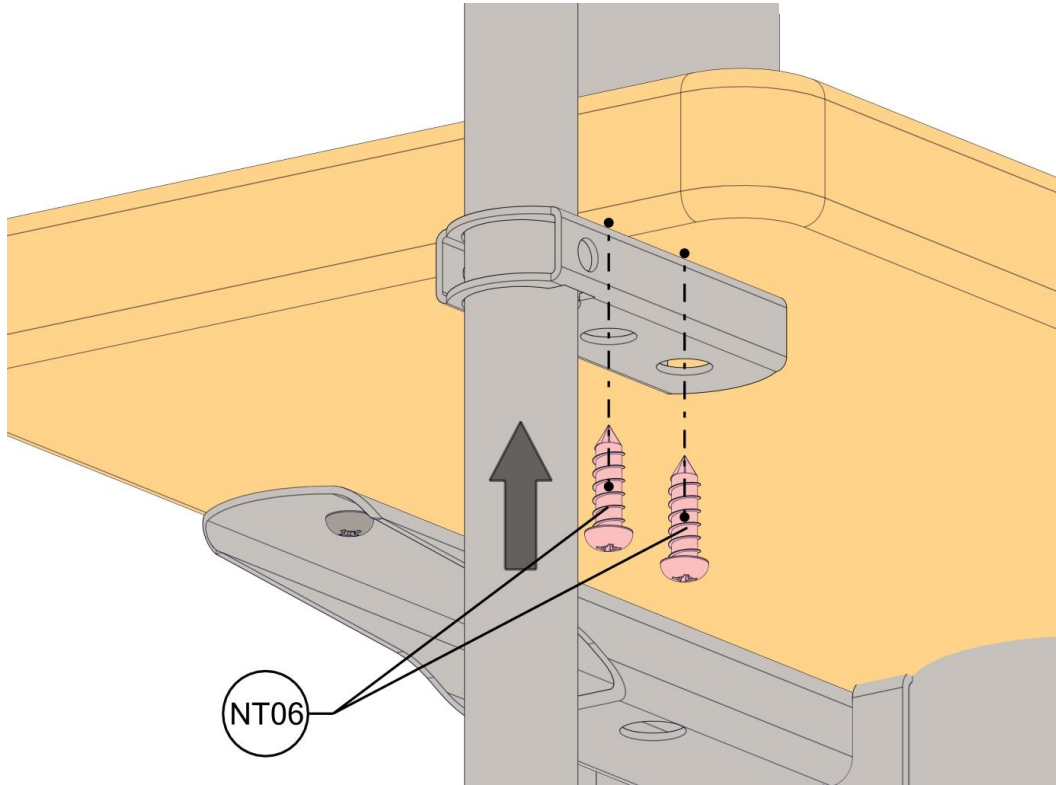
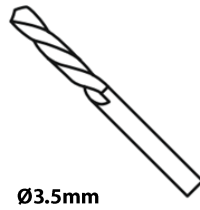
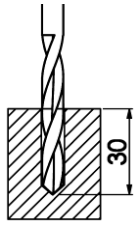
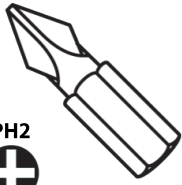
36



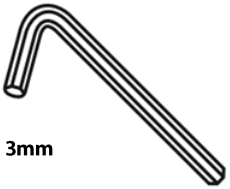
3mm

38

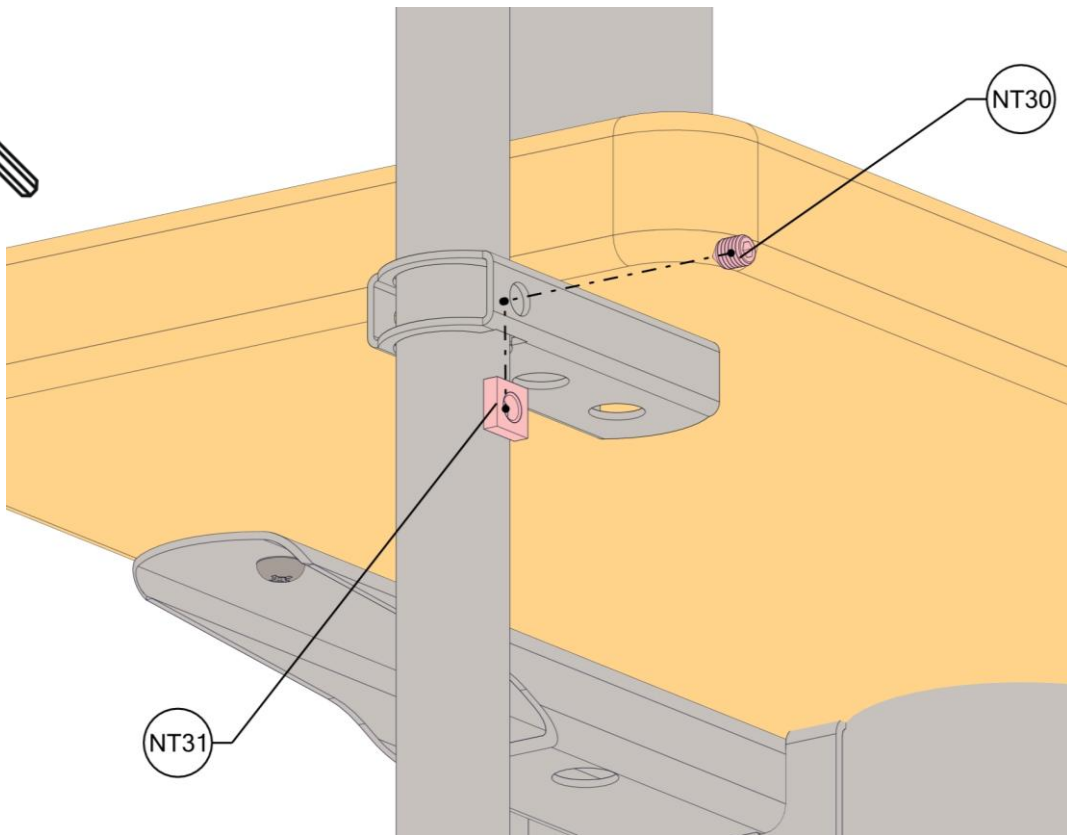
39



NT06



3mm

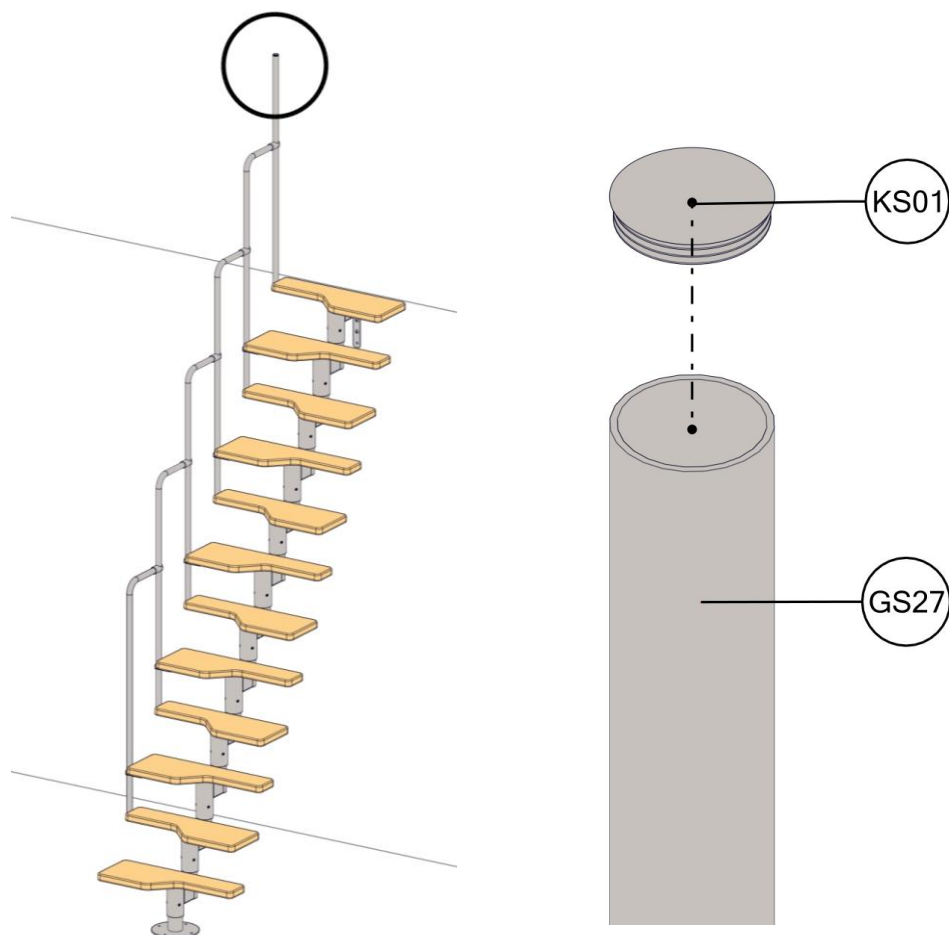
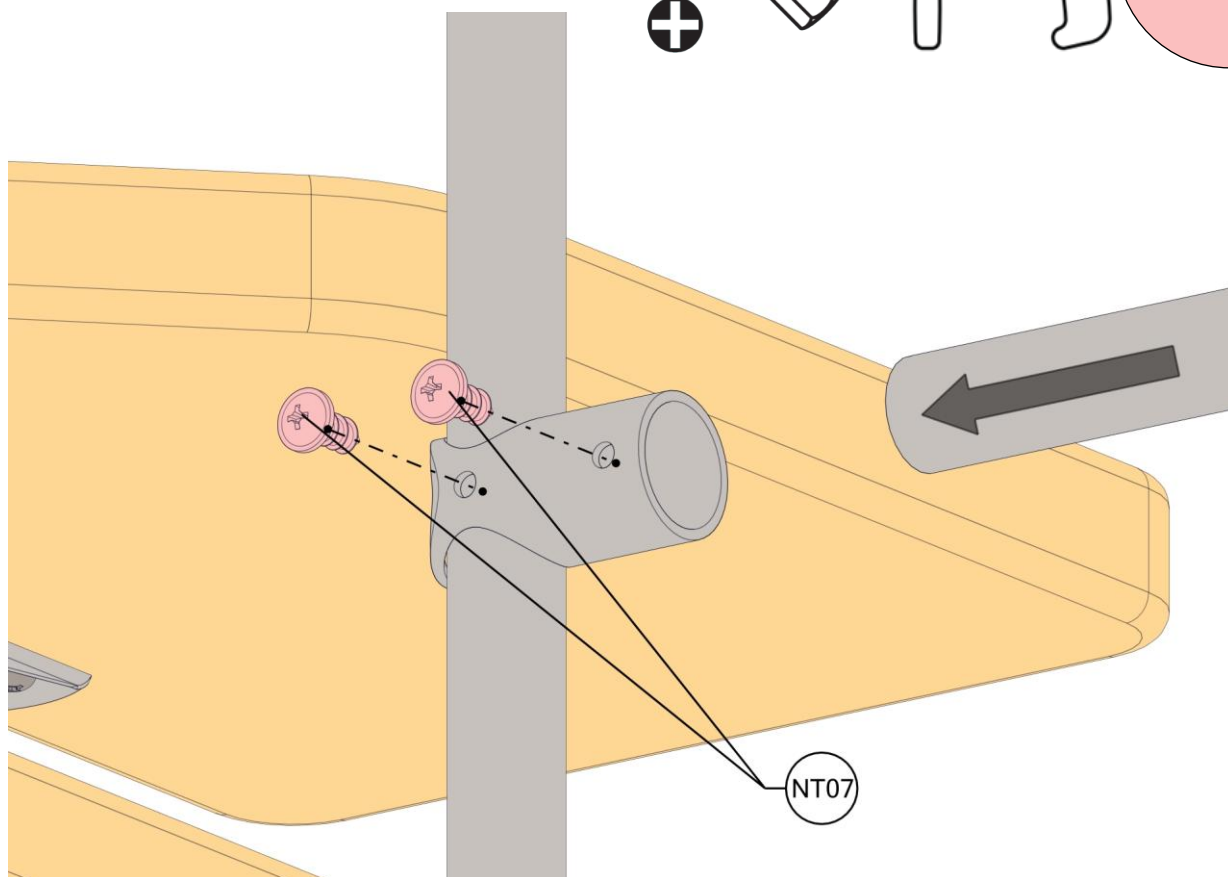


NT31

NT30

40

41



42