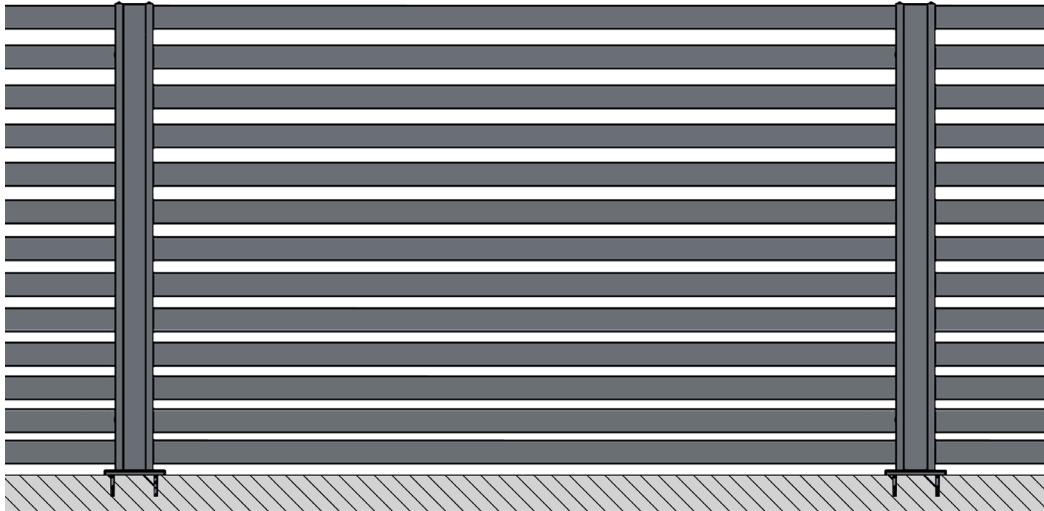


PORTICO 120



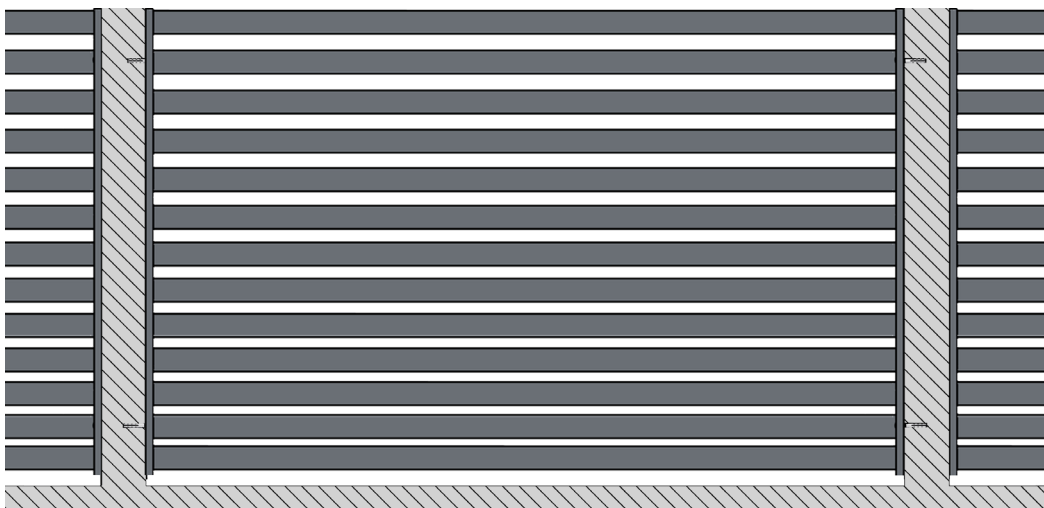
A



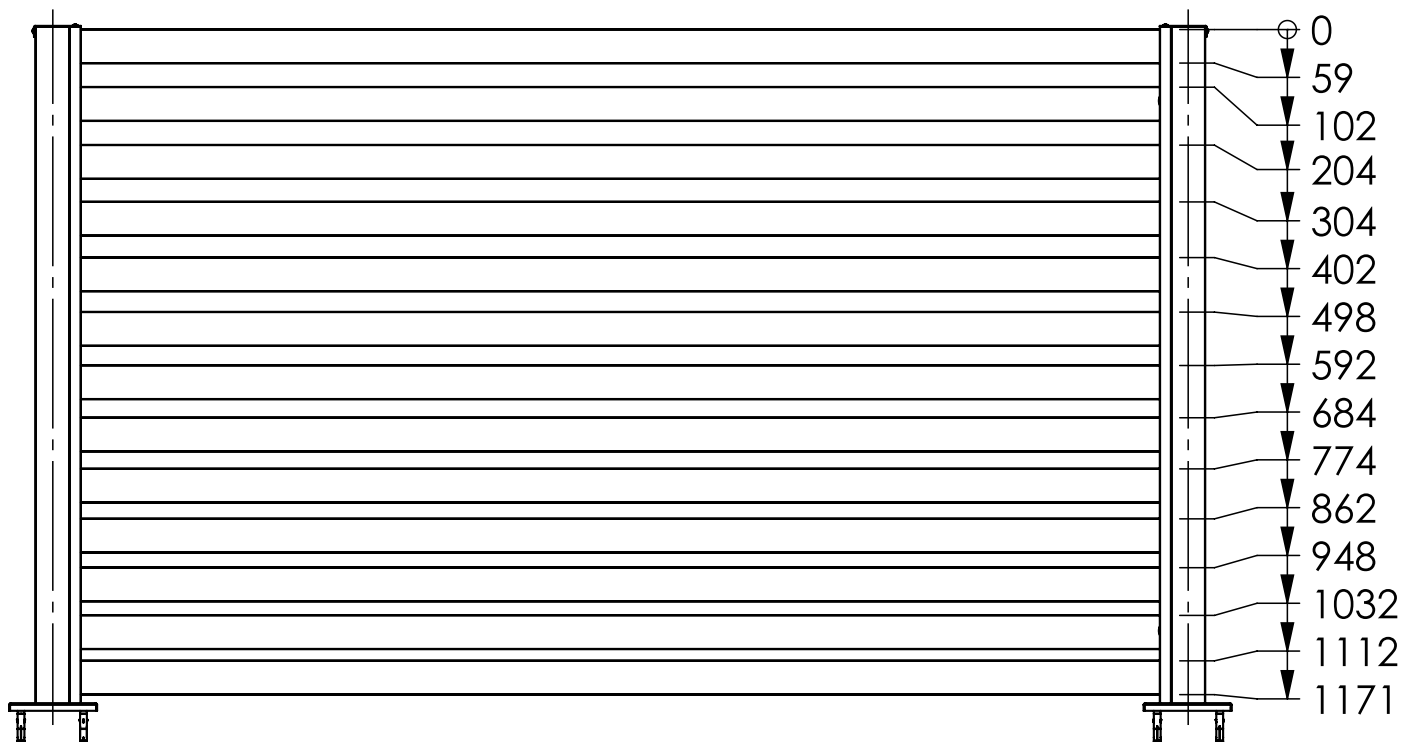
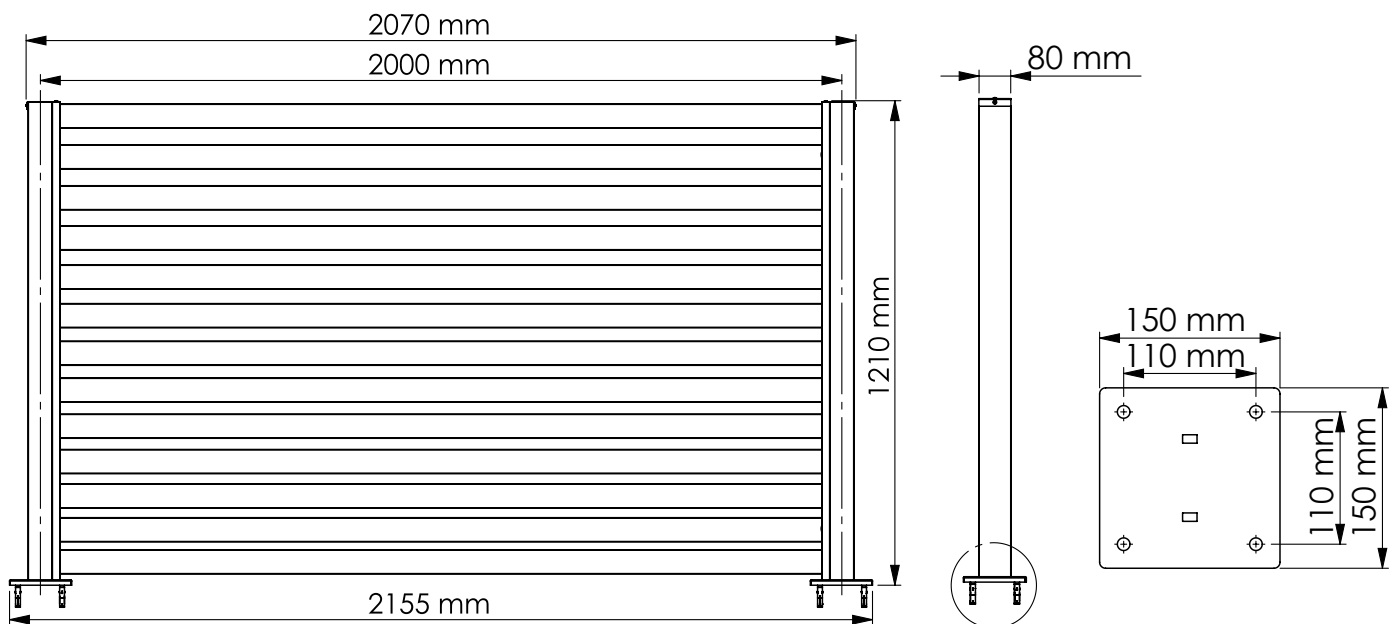
B



C



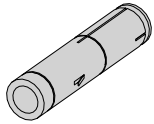
PORTICO 120



PORTICO 120



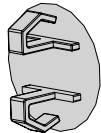
8x



D01

M8x55 mm

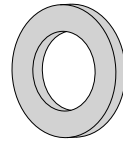
4x



KS09

Ø13 mm

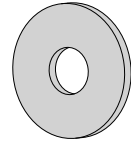
8x



NT26

M8 DIN125A

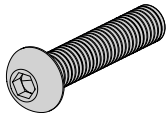
12x



NT39

M5 DIN9021

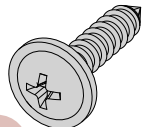
8x



NT47

M8x60 mm ISO7380-1

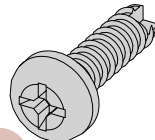
6x



NT77

3,5x16 mm

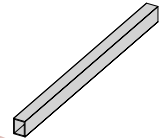
4x



NT79

Ø5,5x22 mm

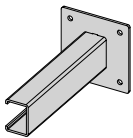
2x



ZT01

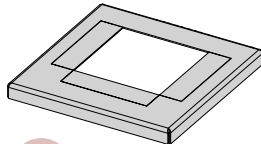
80x60x1200 mm

2x



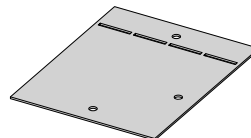
ZT02

2x



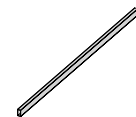
ZT03

2x



ZT04

2x



ZT07

60x30x1940 mm

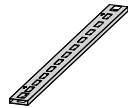
11x



ZT08

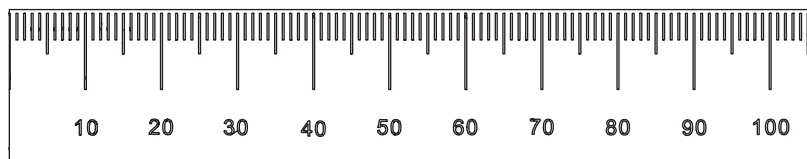
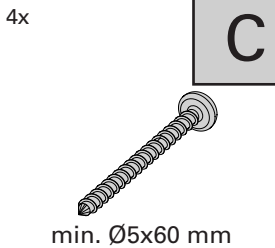
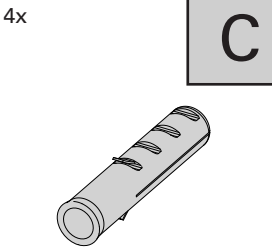
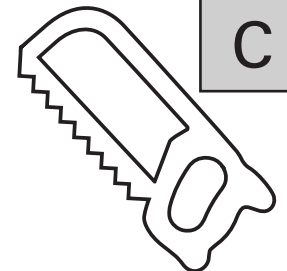
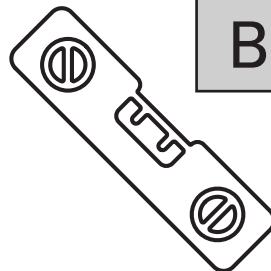
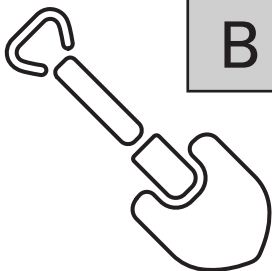
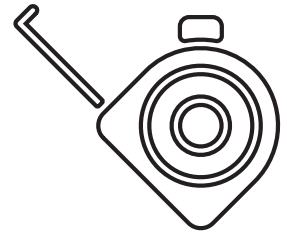
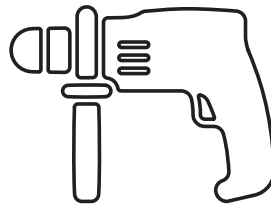
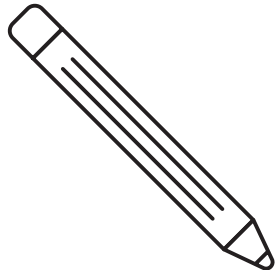
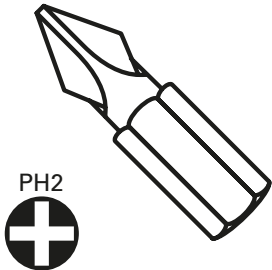
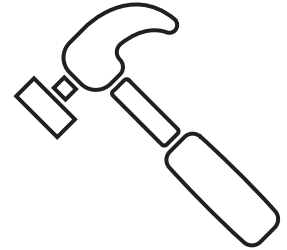
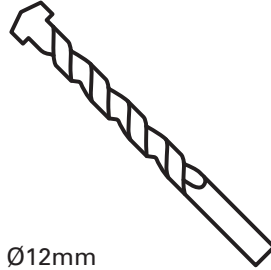
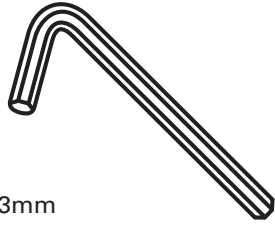
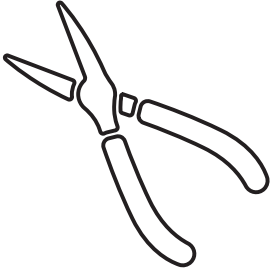
60x20x1940 mm

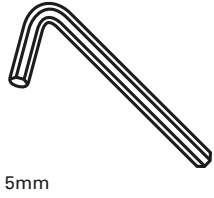
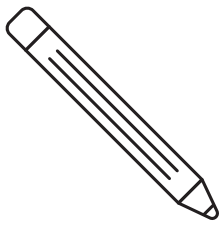
2x



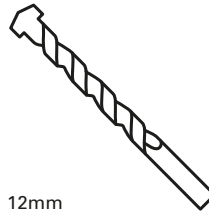
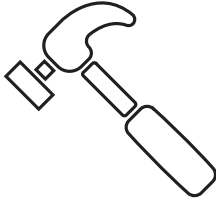
ZT31

80x20x1200 mm

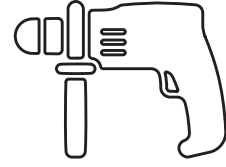




5mm

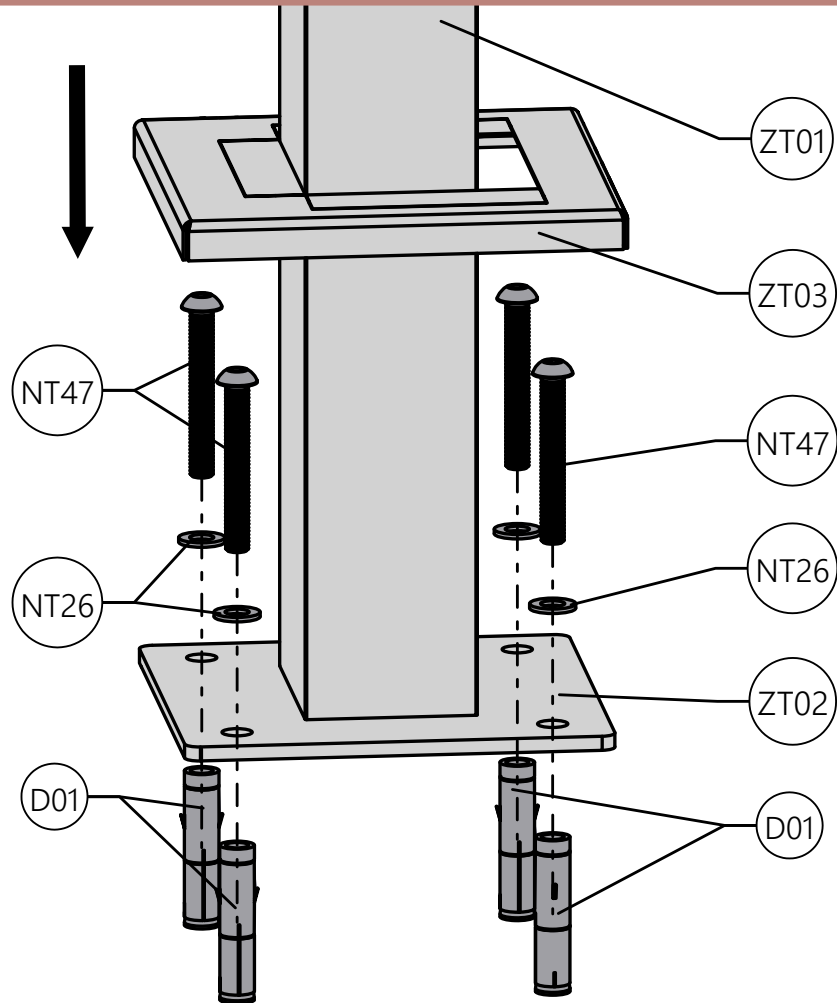
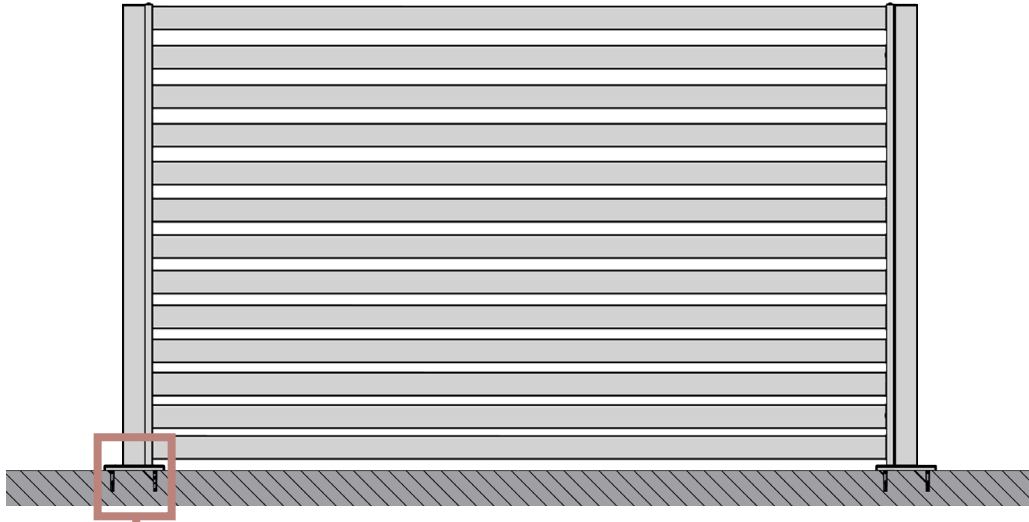


12mm



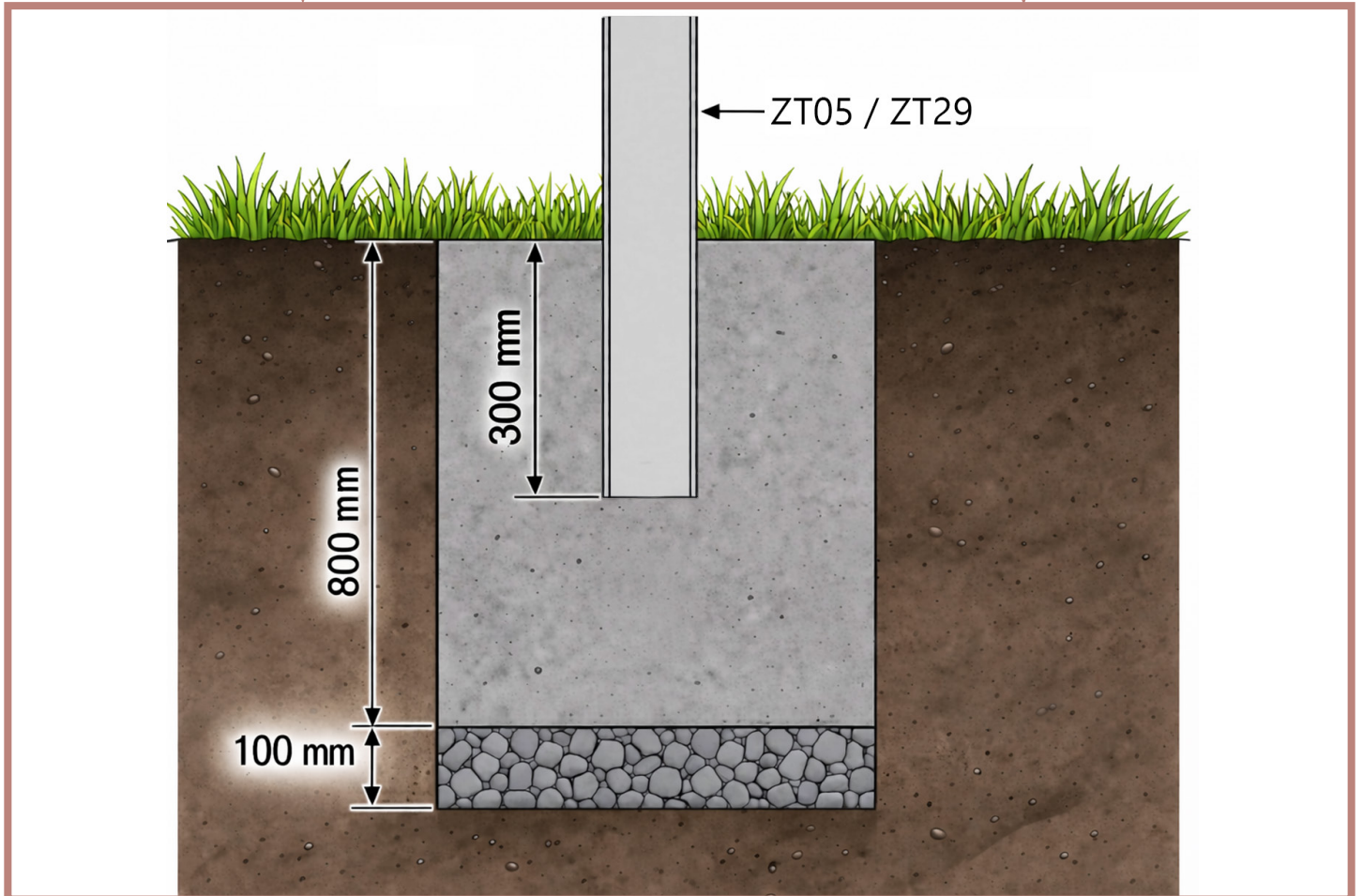
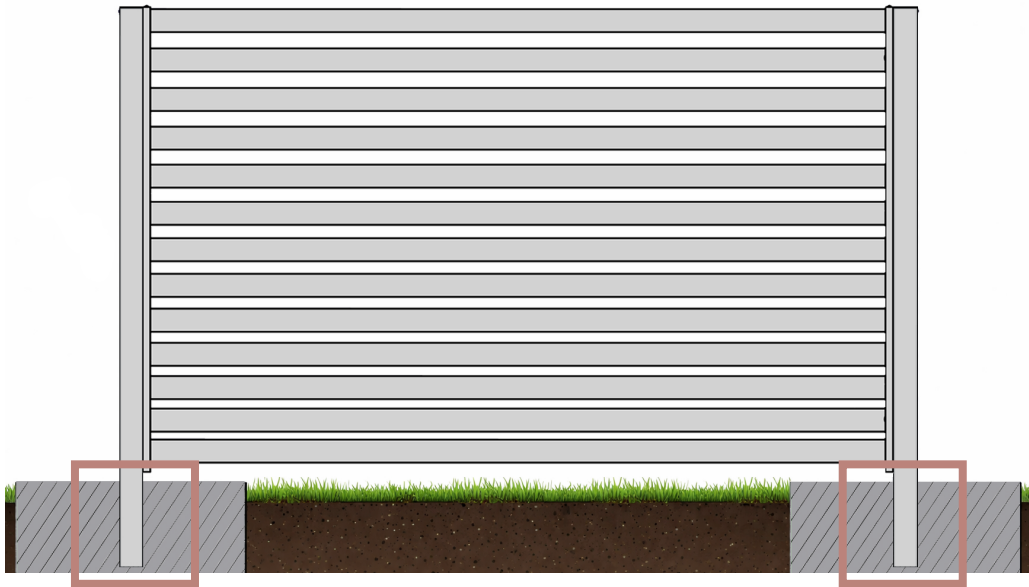
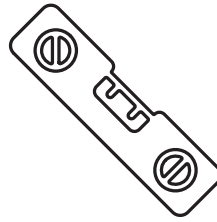
1

A



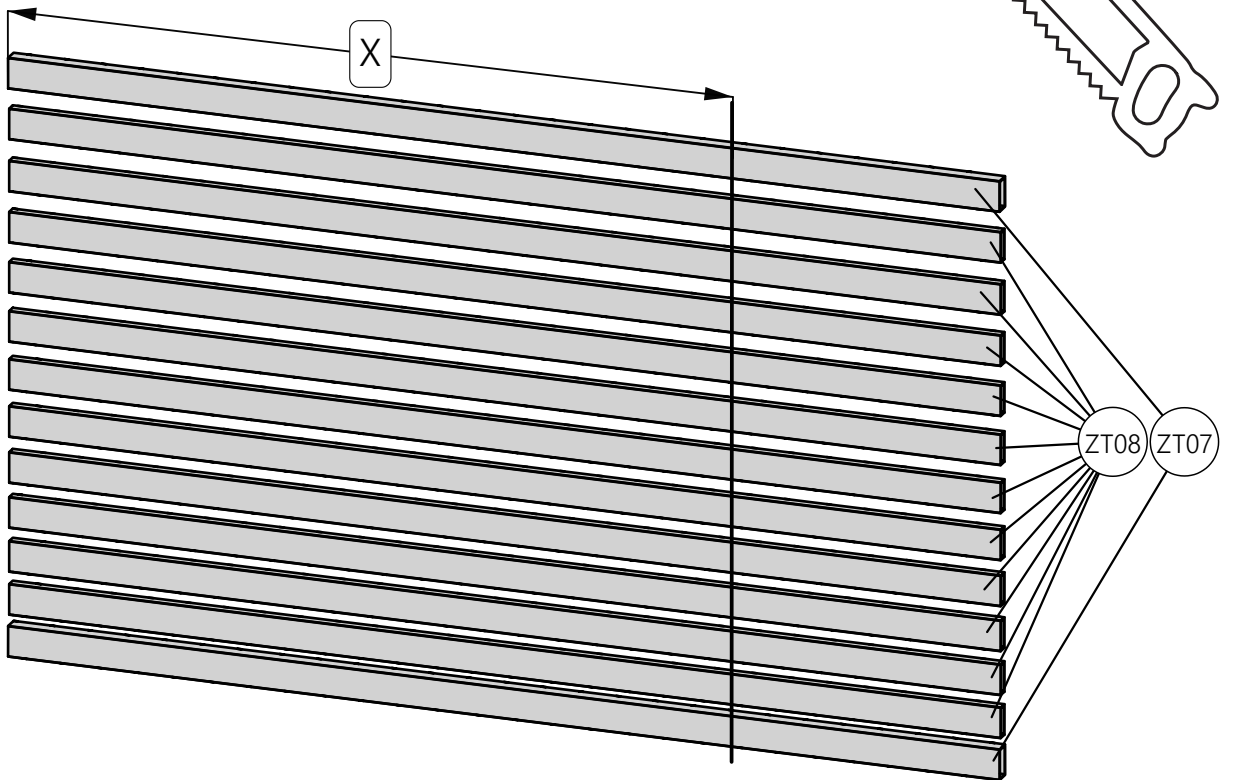
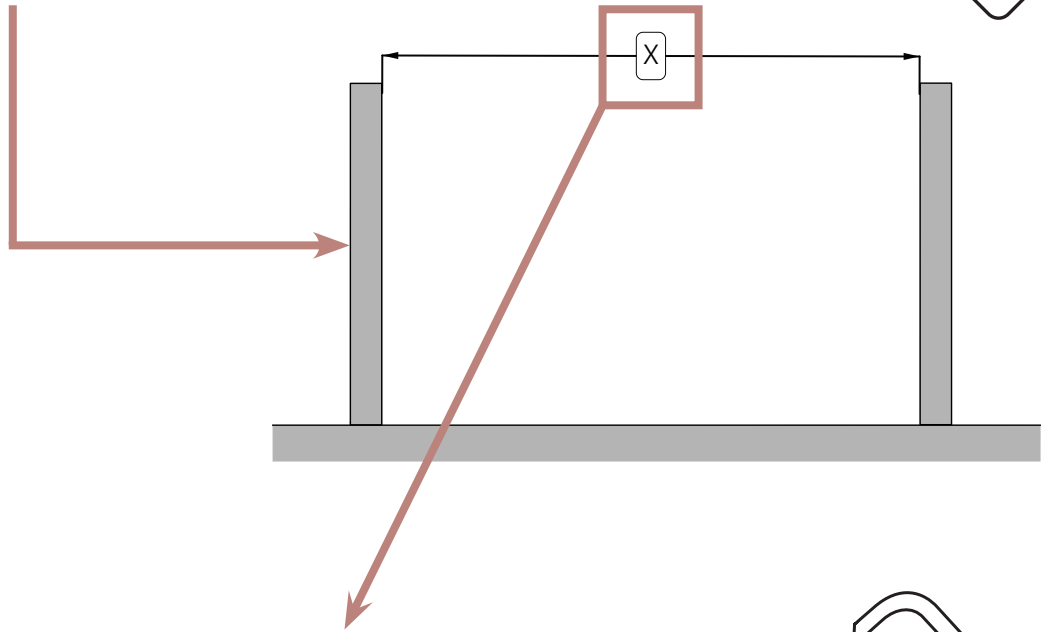
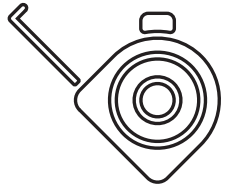
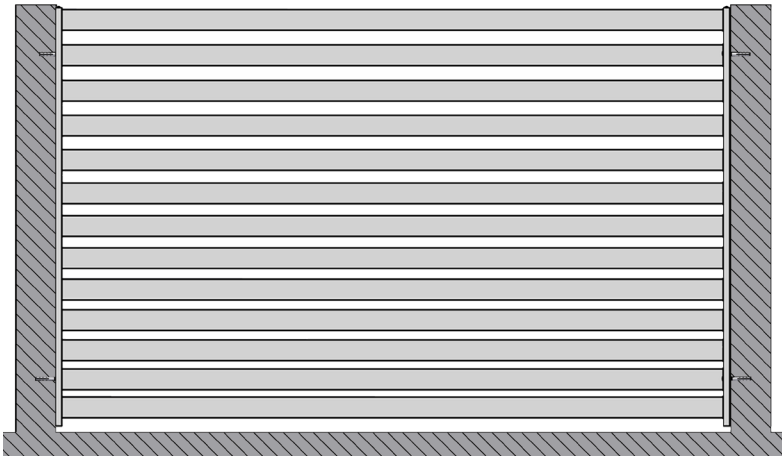
2

B



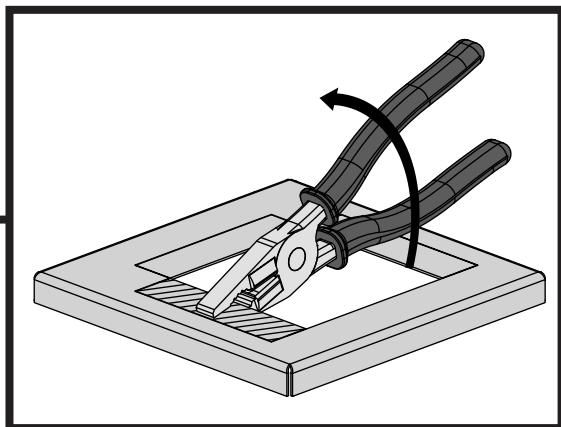
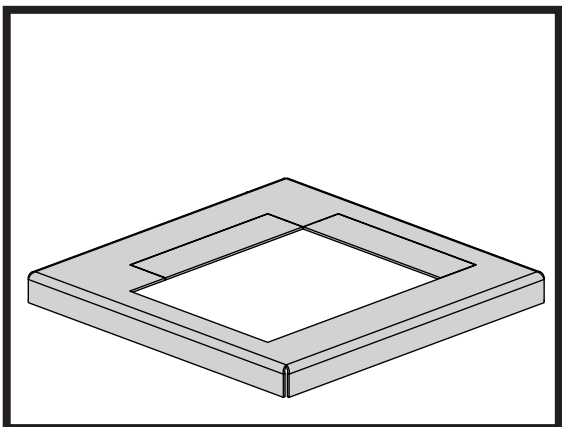
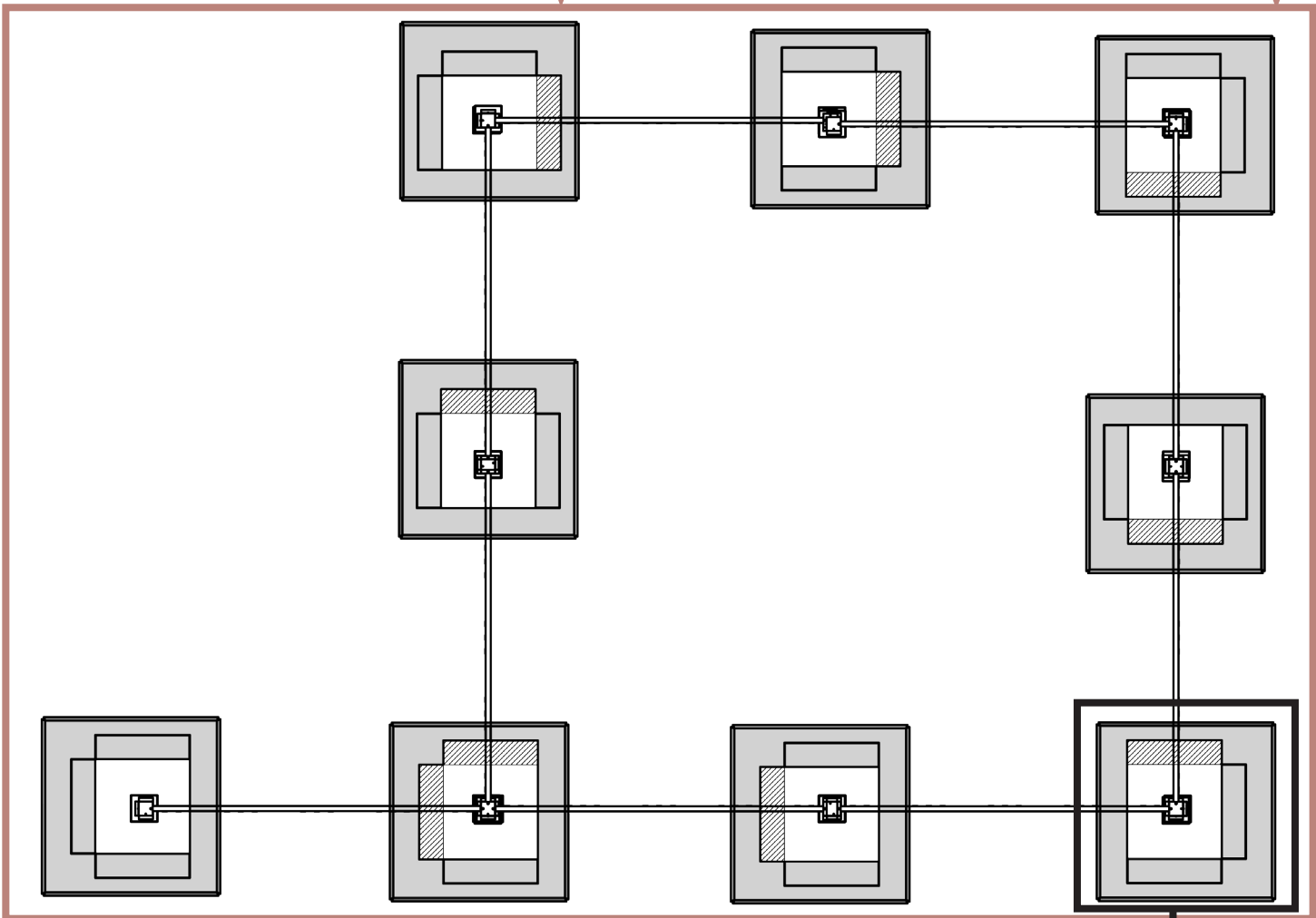
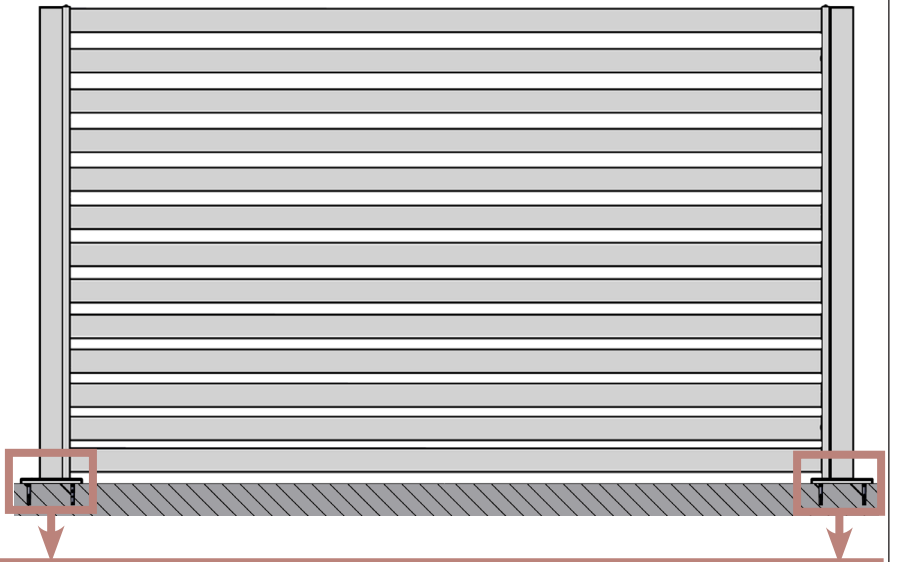
3

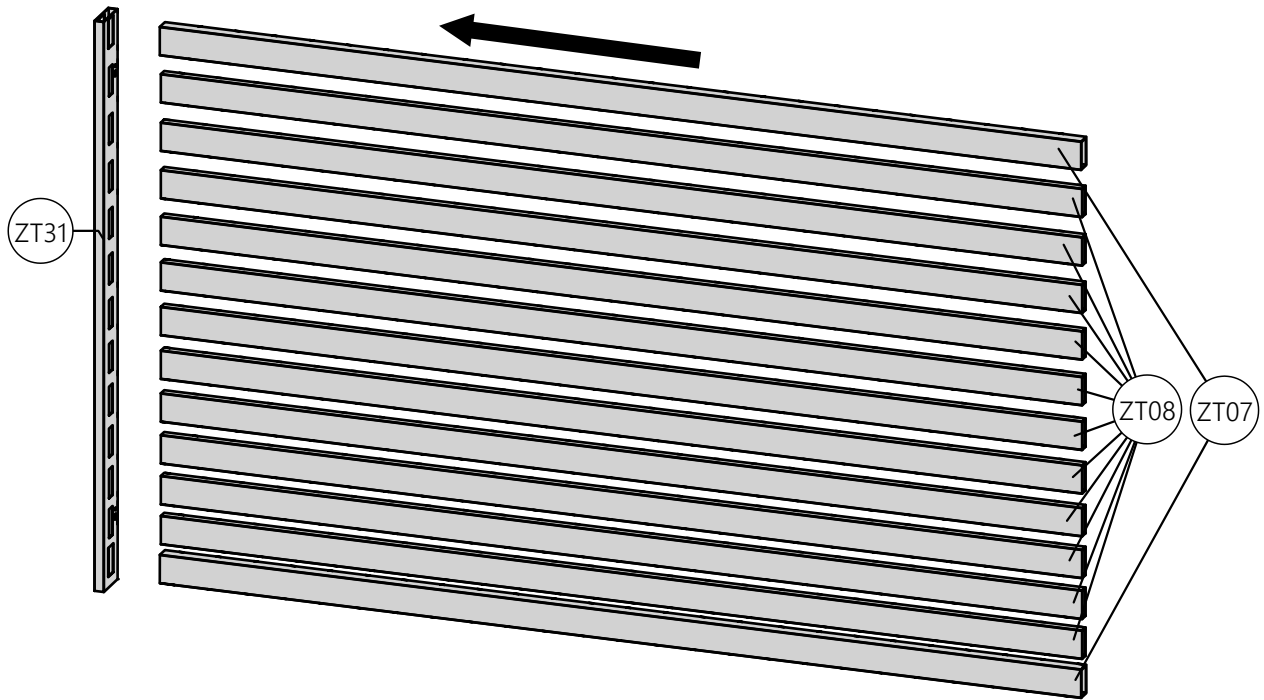
C



4

A



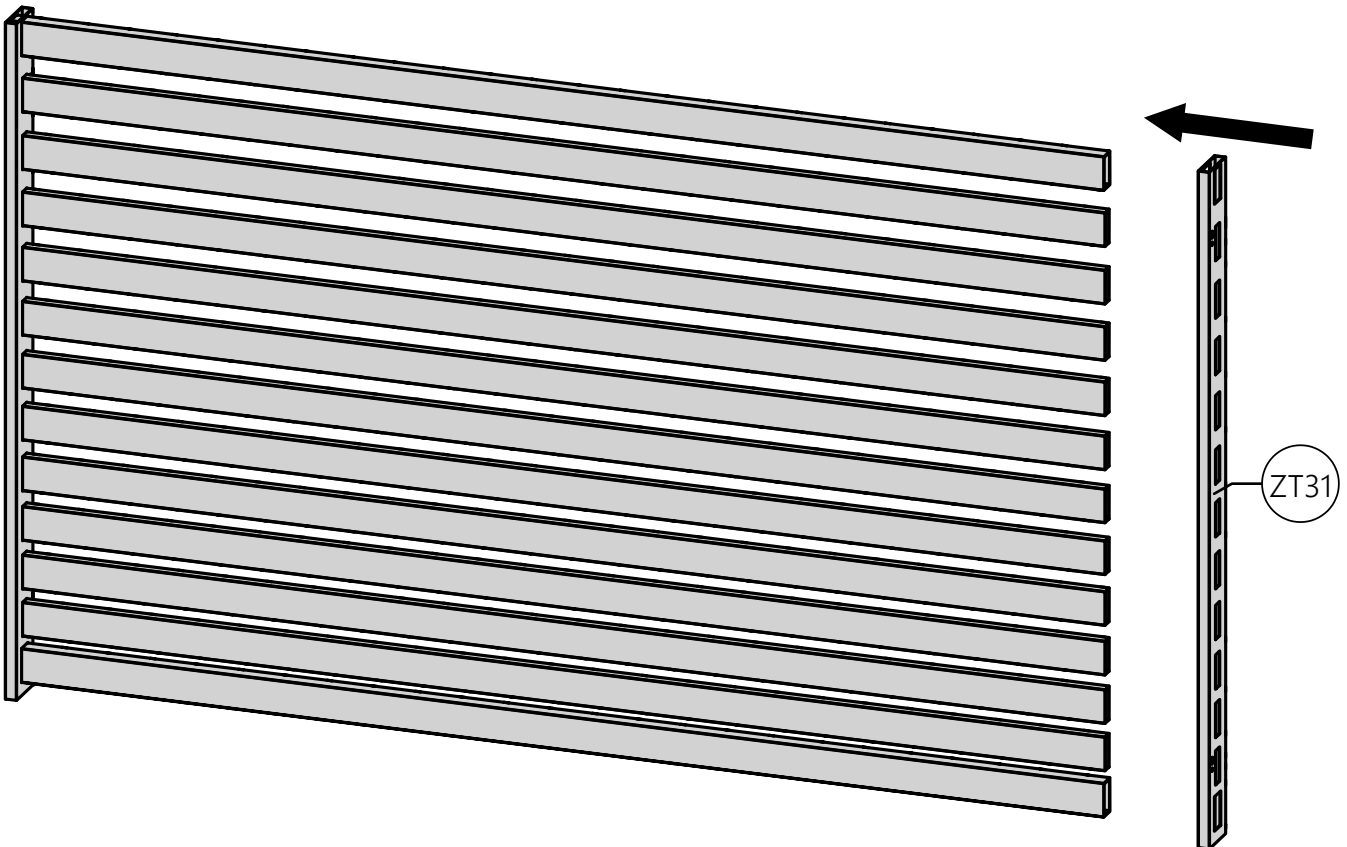


6

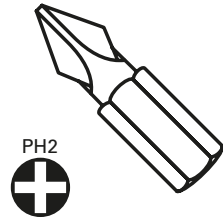
A

B

C



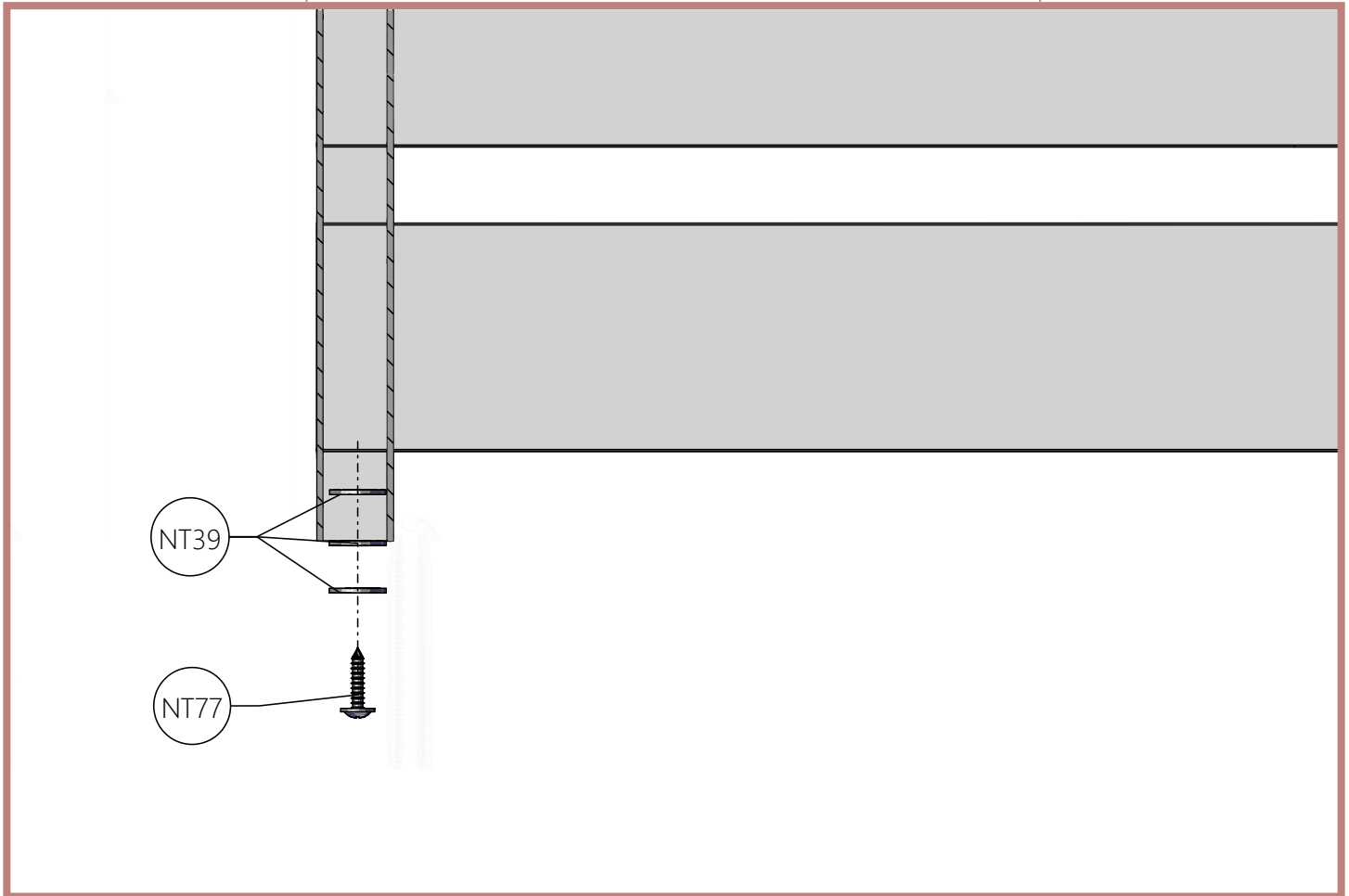
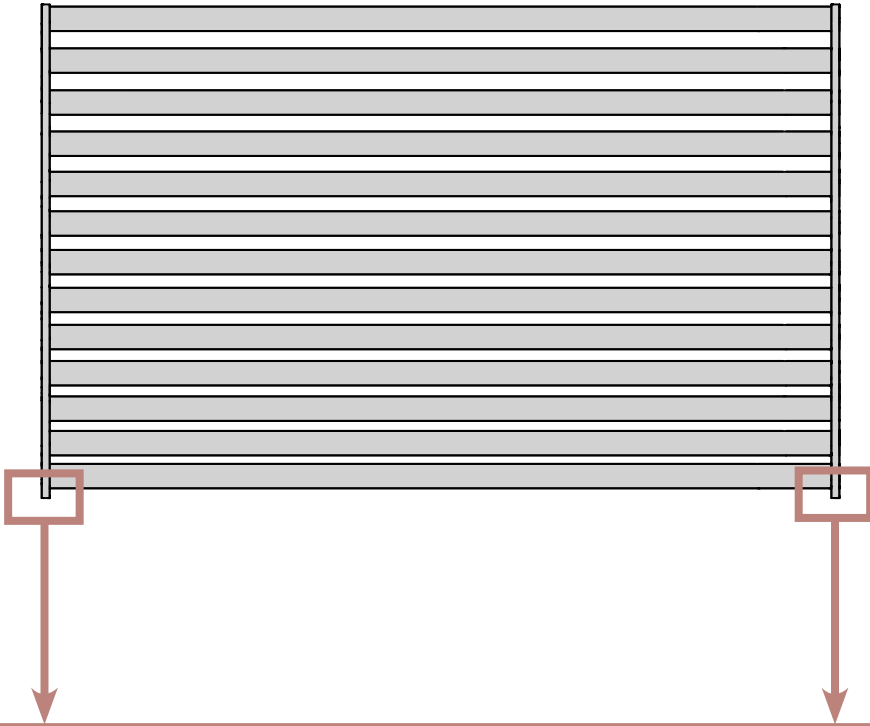
7



A

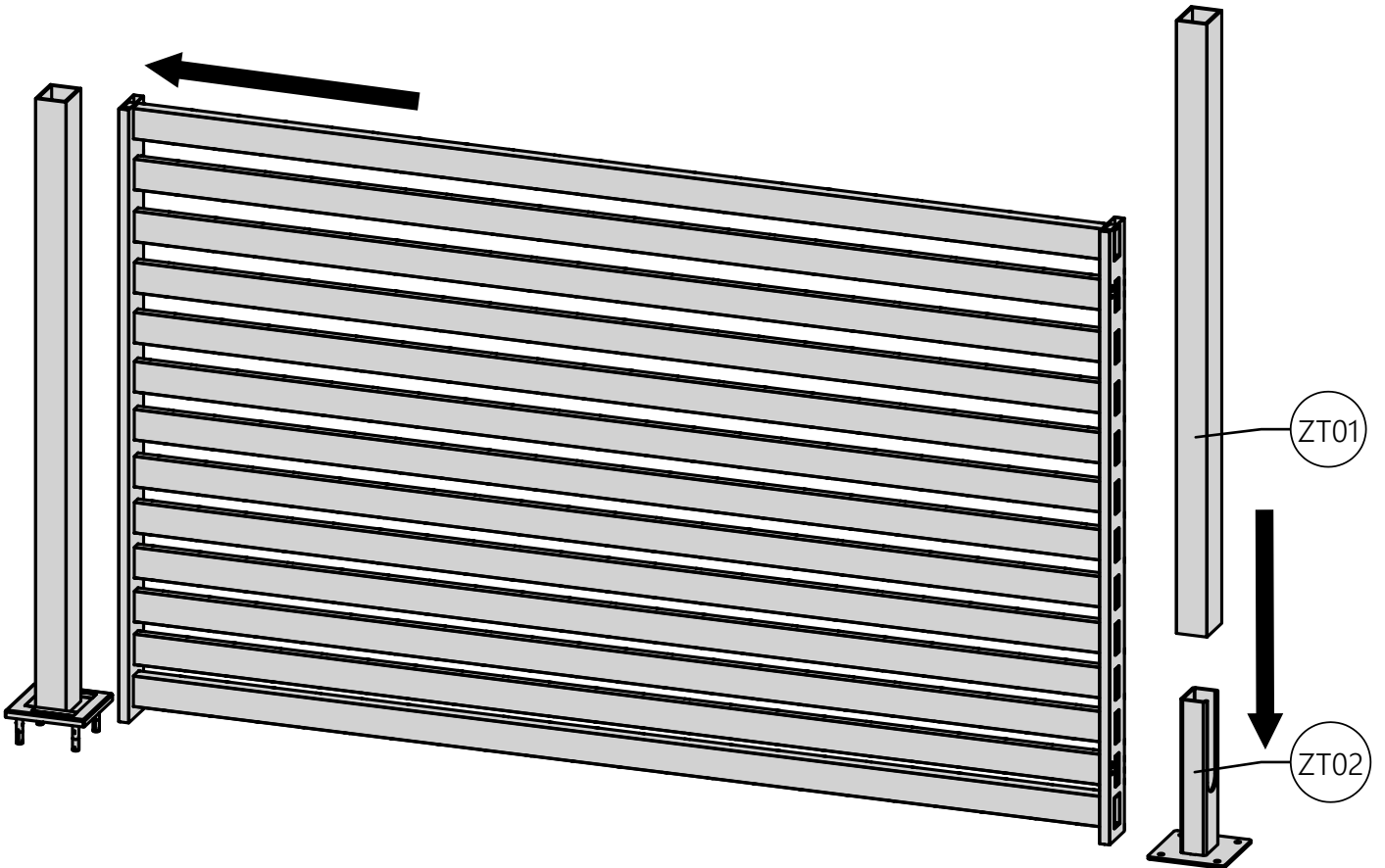
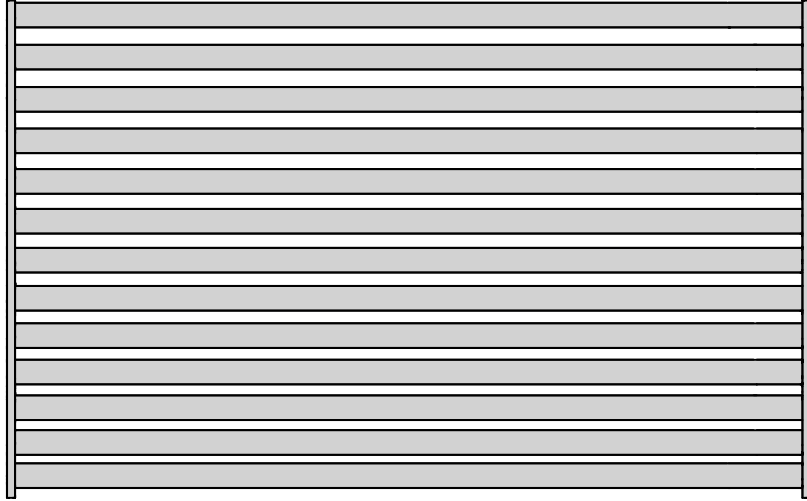
B

C



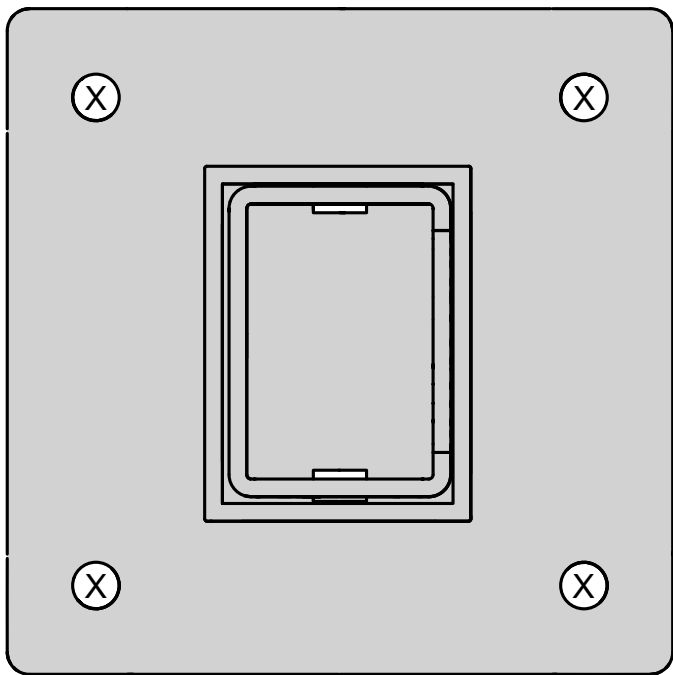
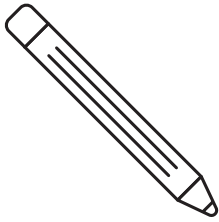
8

A



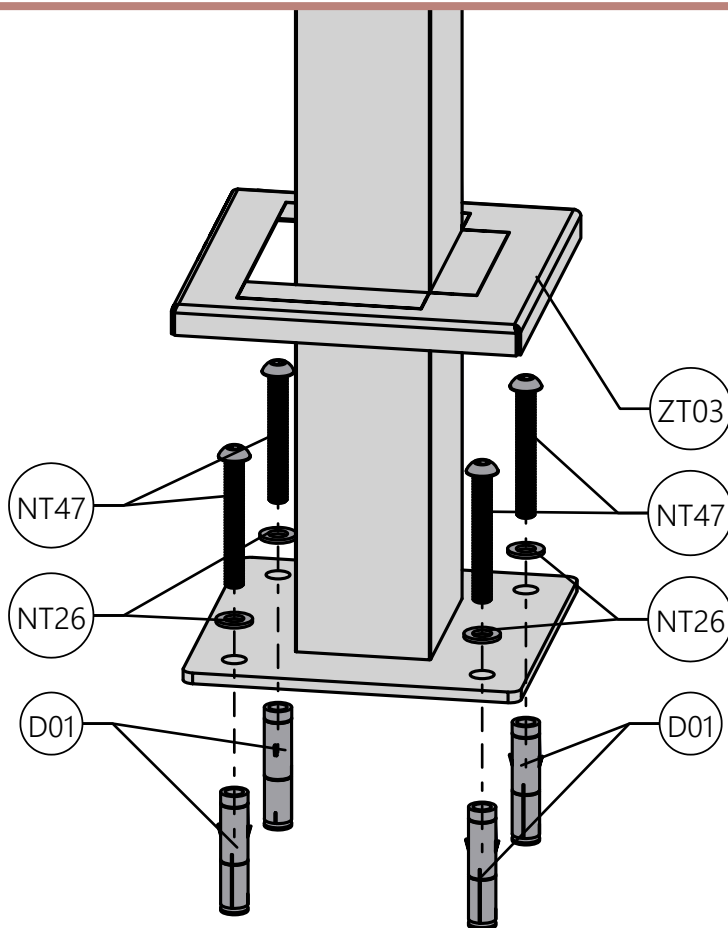
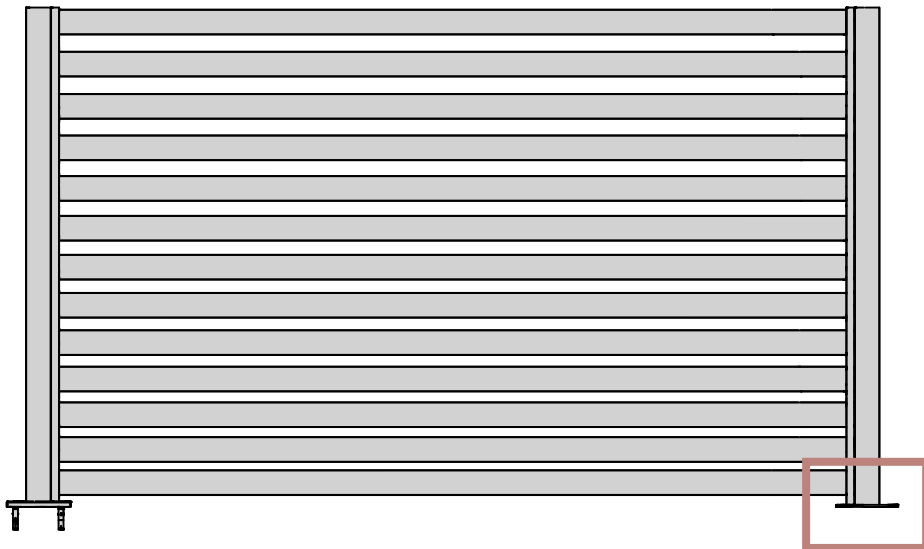
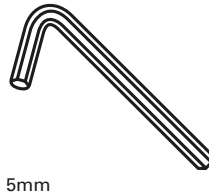
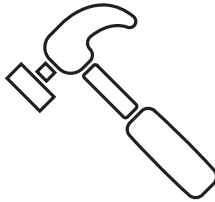
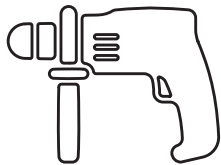
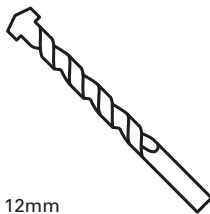
9

A



10

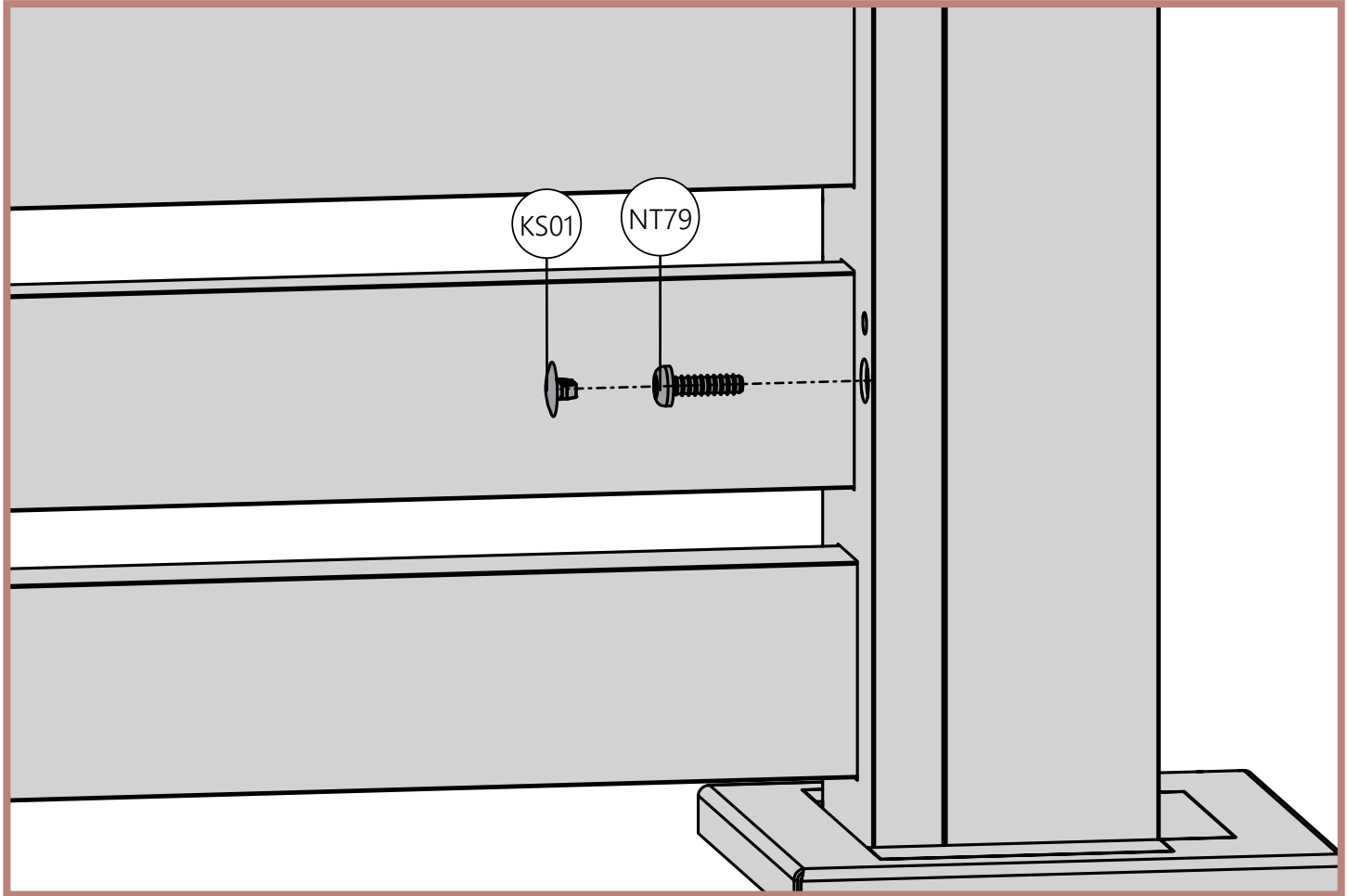
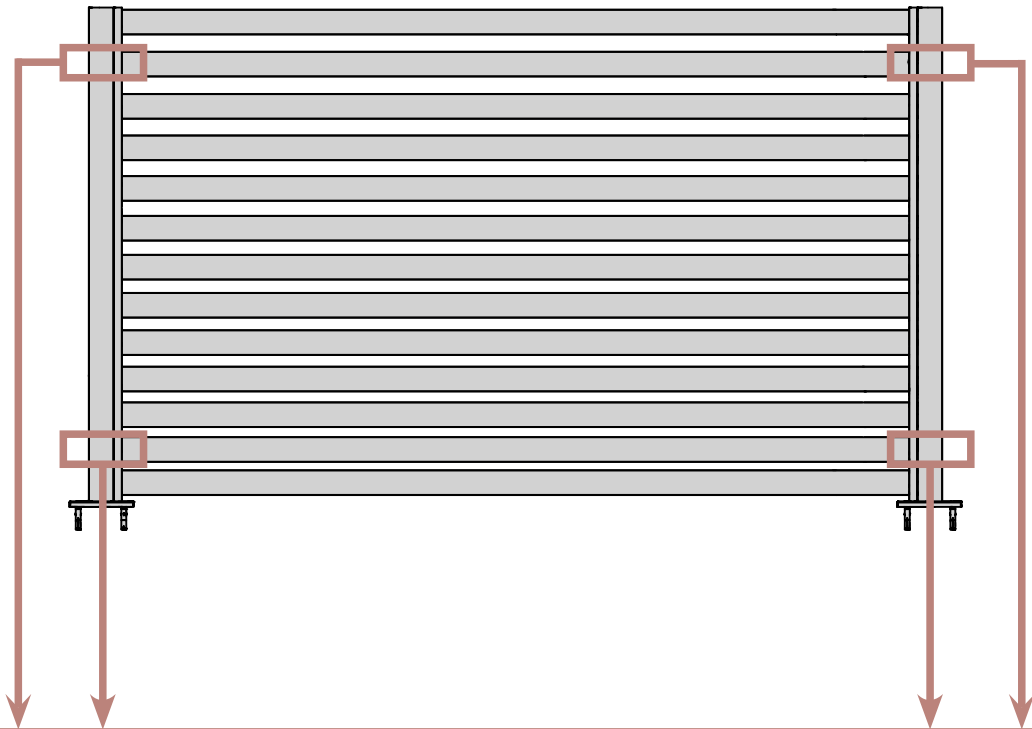
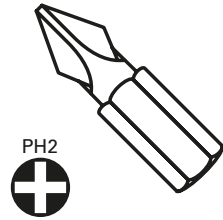
A



11

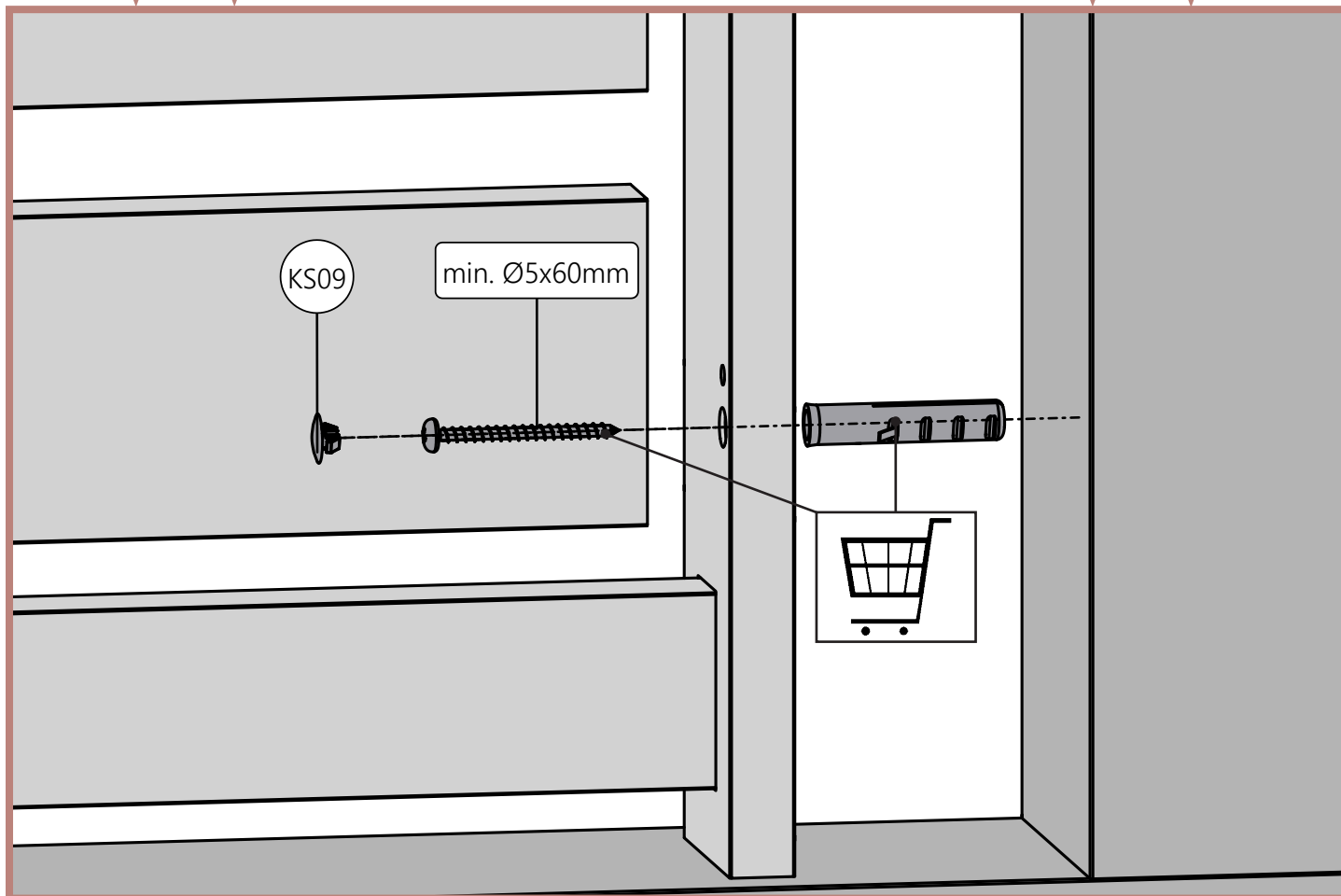
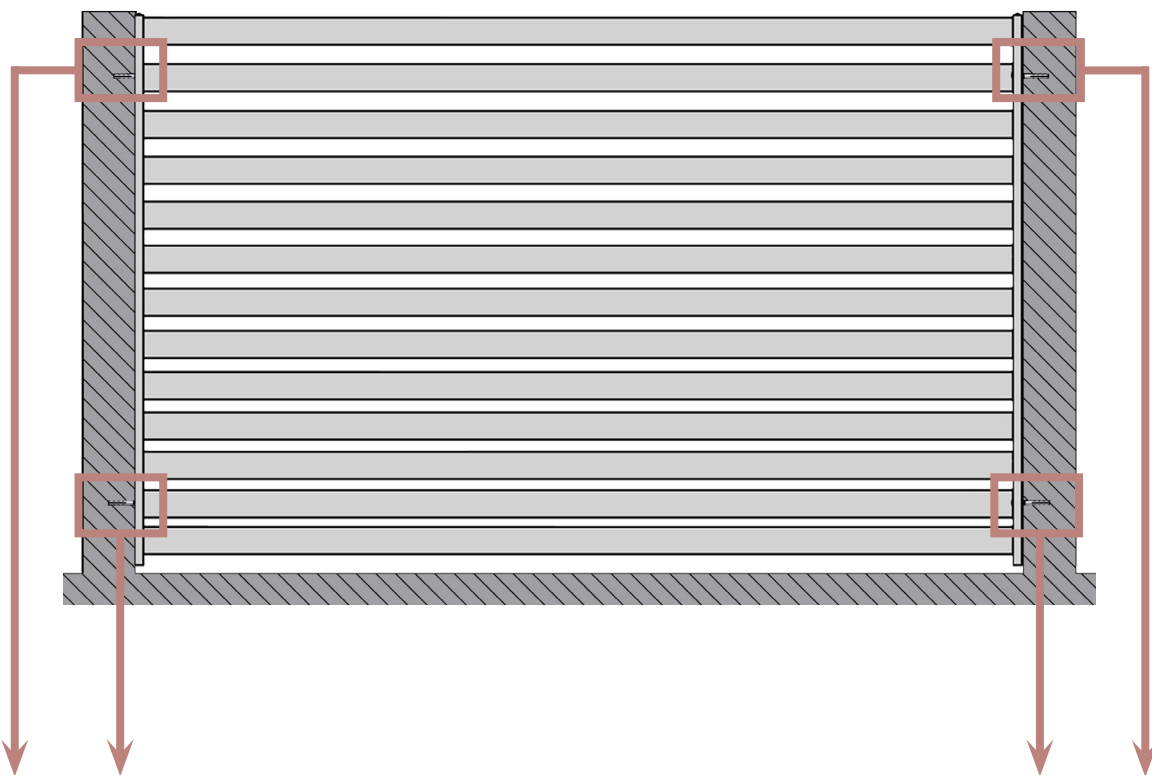
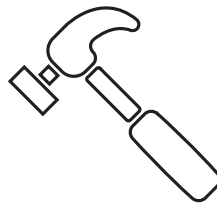
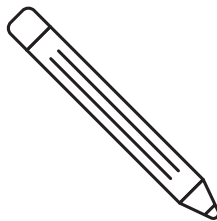
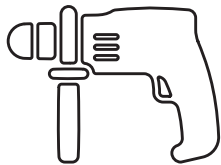
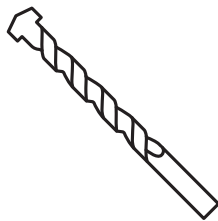
A

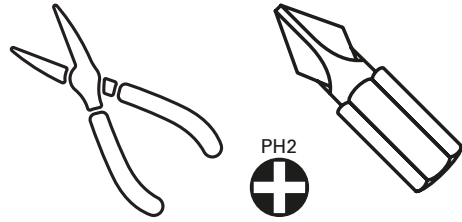
B



12

C





A

B

