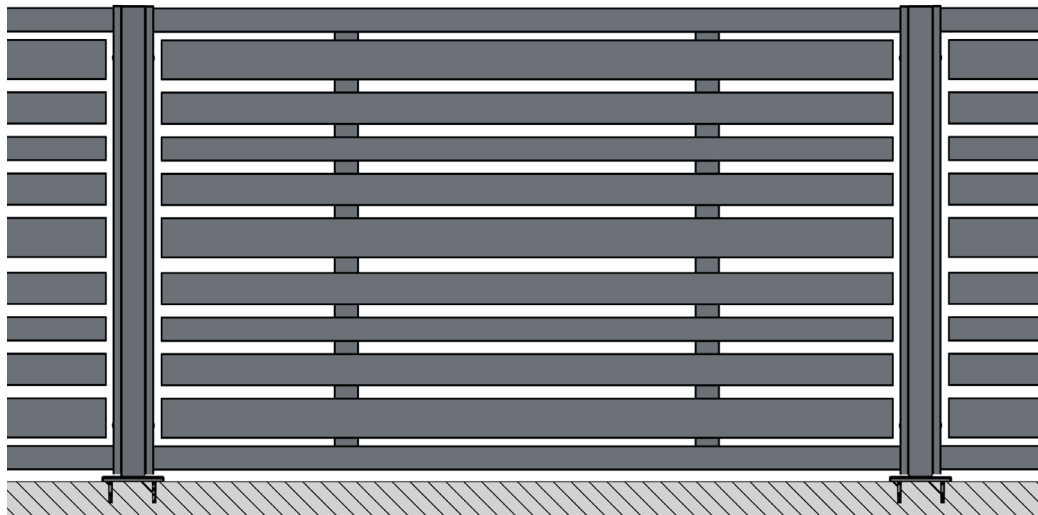


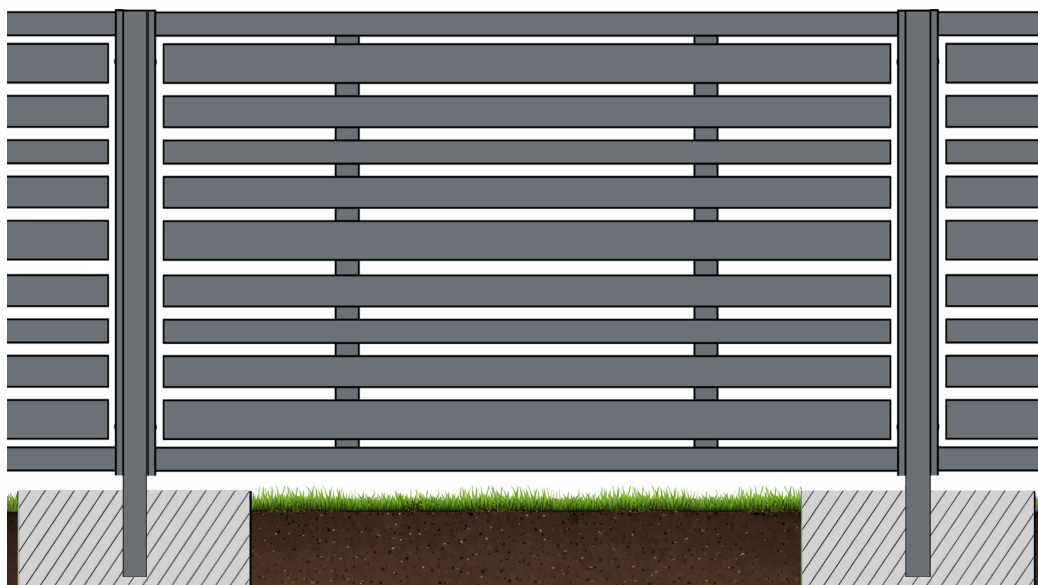
# PLANO 120 MIX



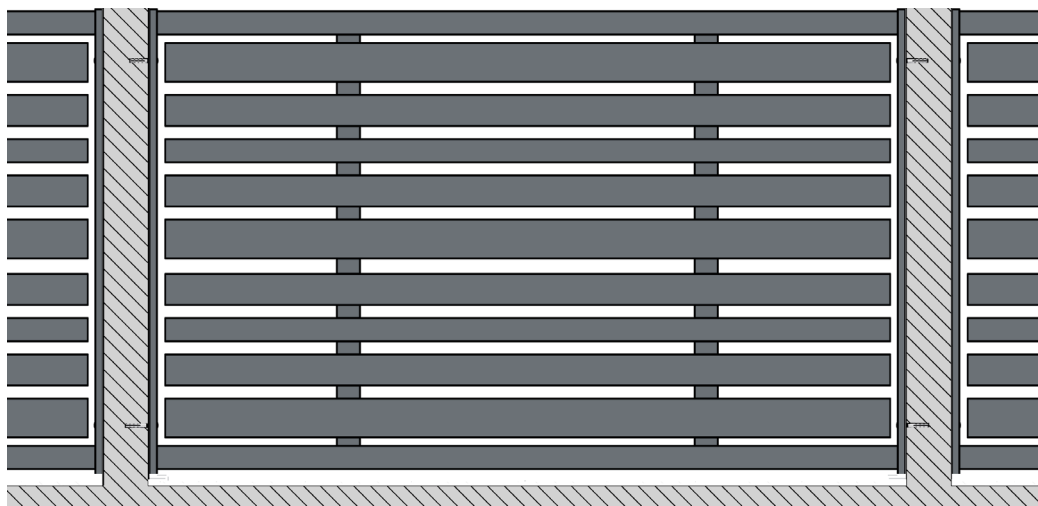
A



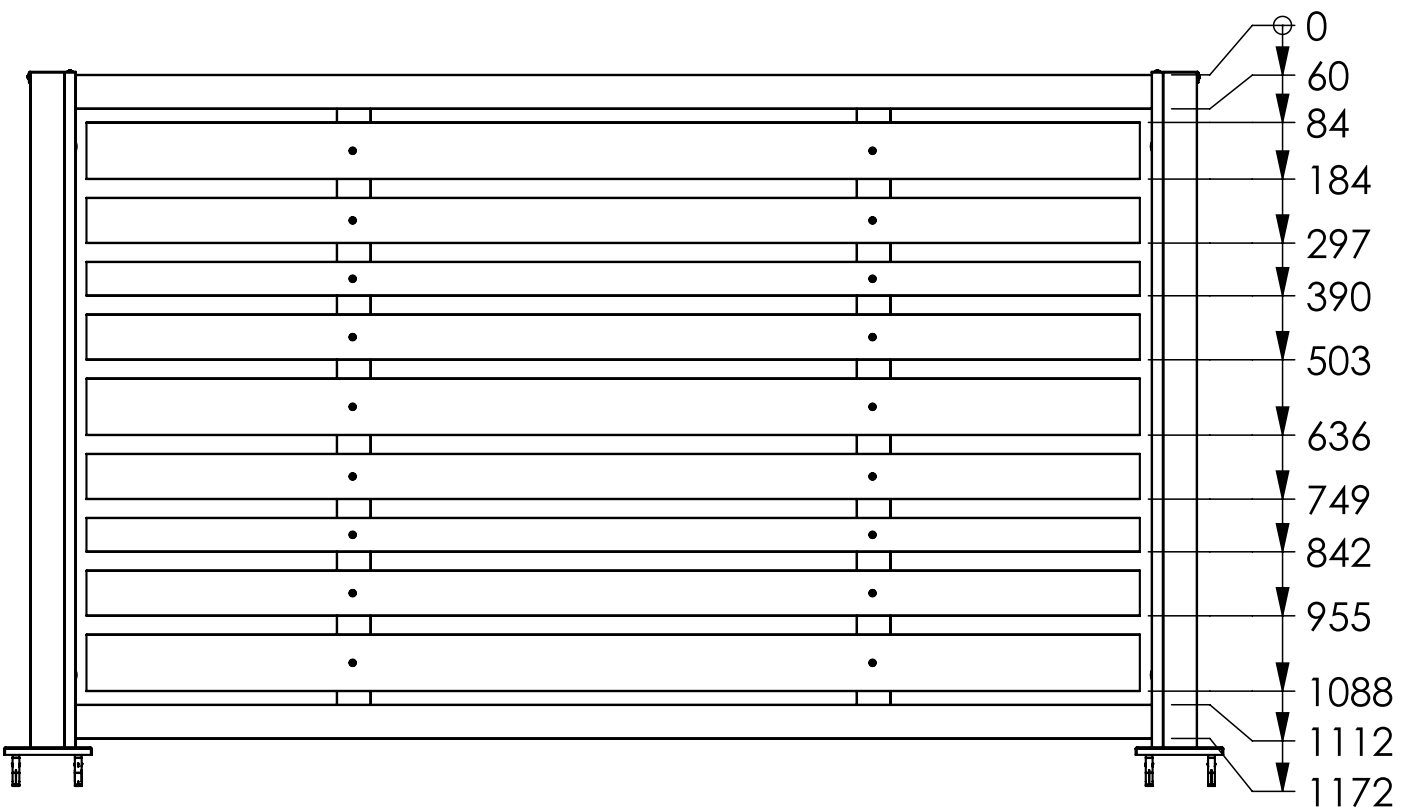
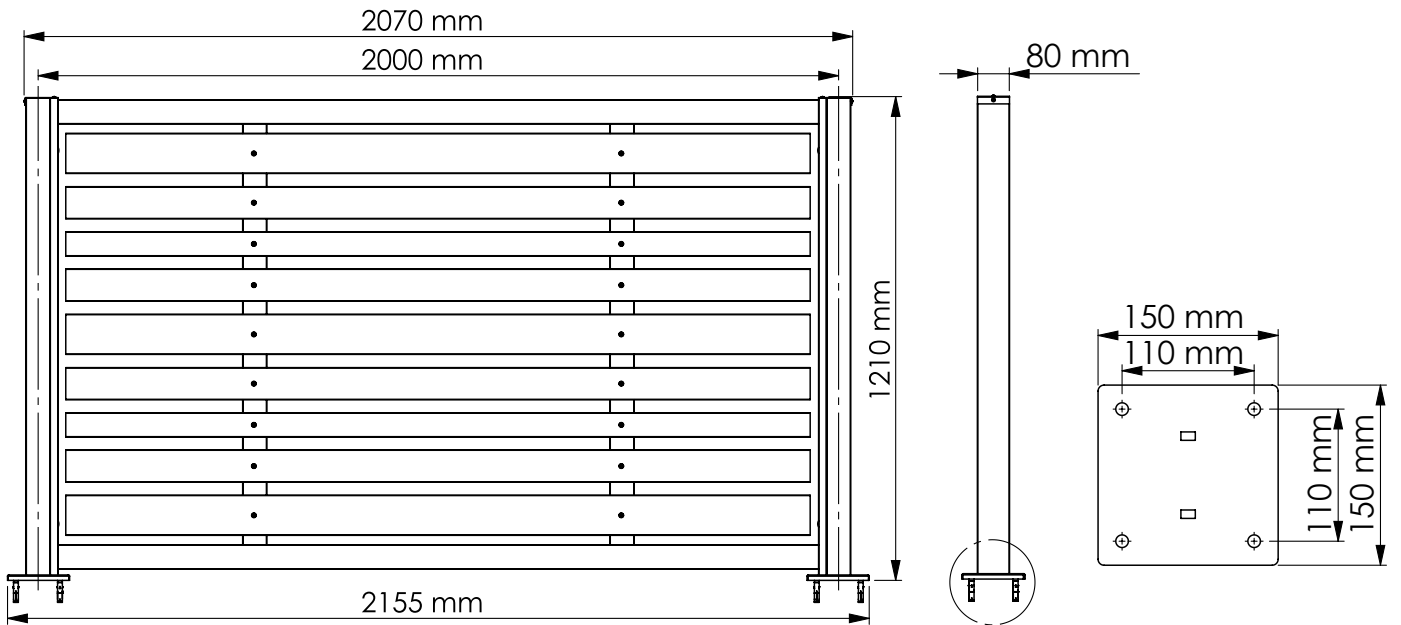
B



C



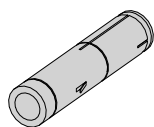
# PLANO 120 MIX



# PLANO 120 MIX

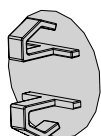


8x



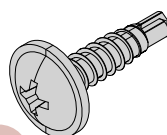
D01 M8x55 mm

4x



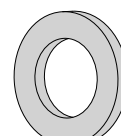
KS09 Ø13 mm

18x



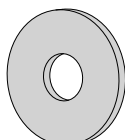
NT07 Ø4,2x19 mm

8x



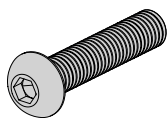
NT26 M8 DIN125A

12x



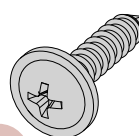
NT39 M5 DIN9021

8x



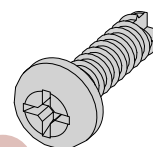
NT47 M8x60 mm ISO7380-1

6x



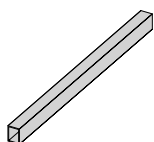
NT77 Ø3,5x16 mm

4x



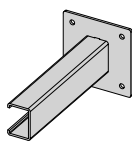
NT79 Ø5,5x22 mm

2x



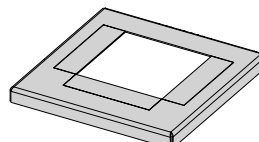
ZT01 80x60x1200 mm

2x



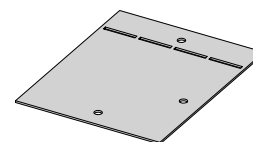
ZT02

2x



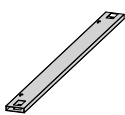
ZT03

2x



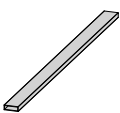
ZT04

2x



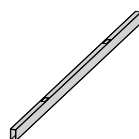
ZT20 80x20x1200 mm

2x



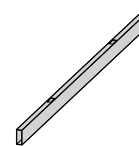
ZT21 60x20x1168 mm

2x



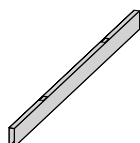
ZT22 60x30x1860 mm

4x



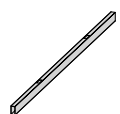
ZT23 80x30x1860 mm

3x

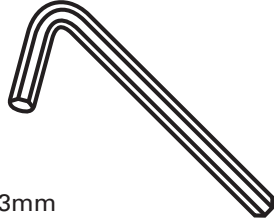
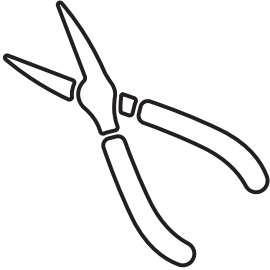


ZT24 100x30x1860 mm

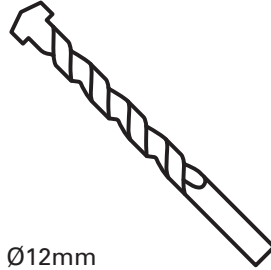
2x



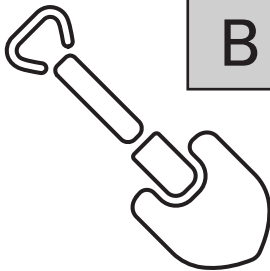
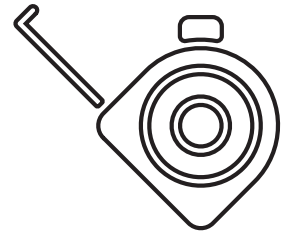
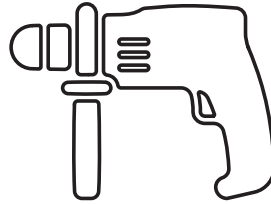
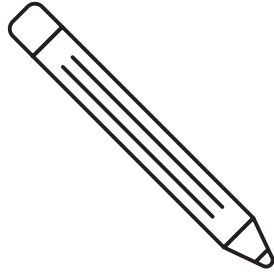
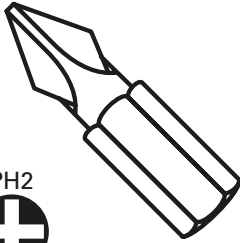
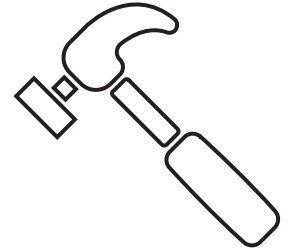
ZT52 60x30x1940 mm



3mm  
5mm



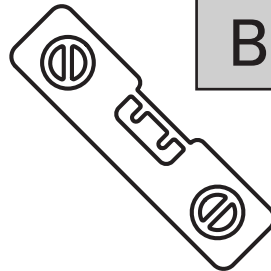
Ø12mm



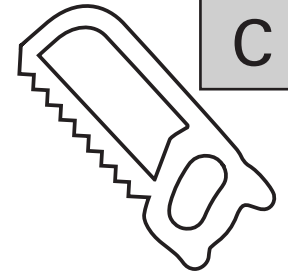
B



B

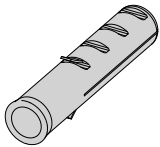


B



C

4x



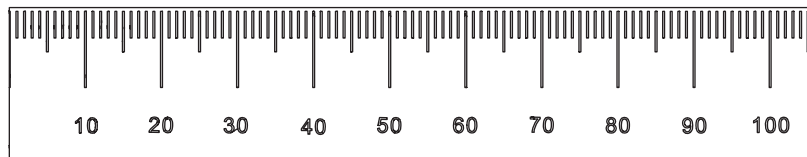
C

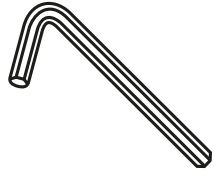
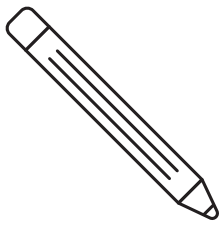
4x



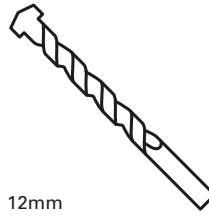
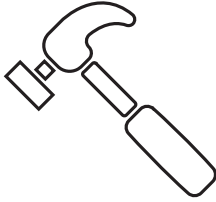
C

min. Ø5x60 mm

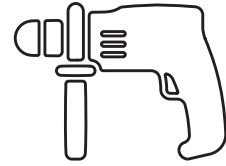




5mm

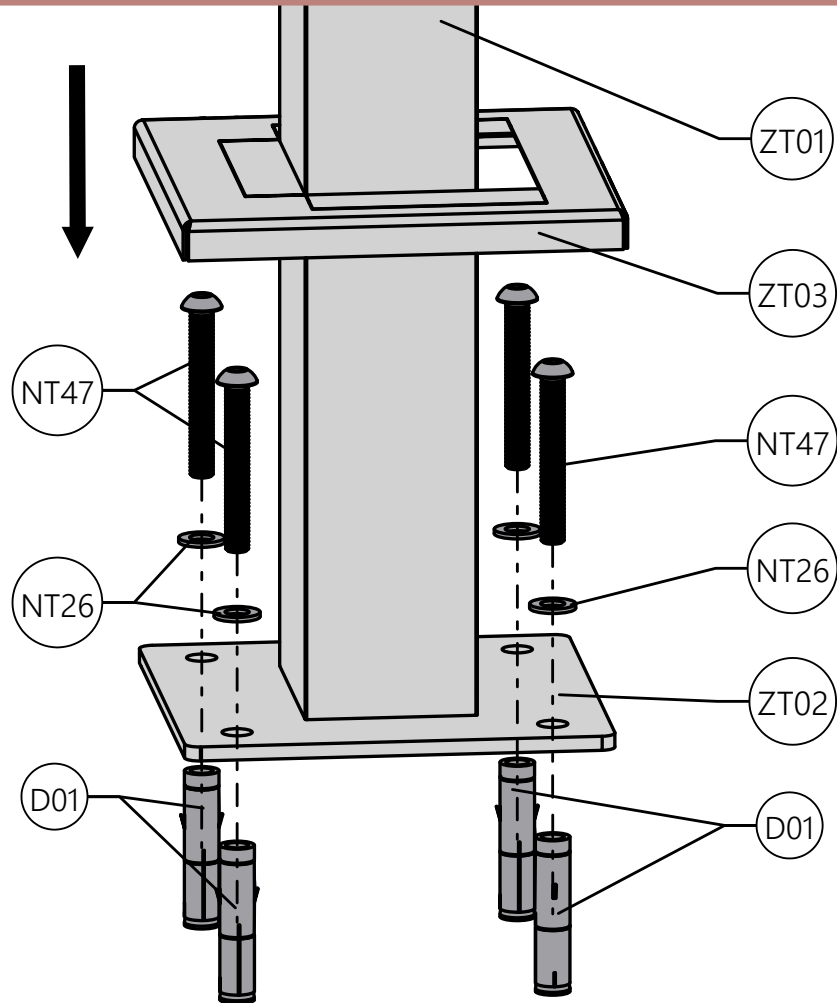
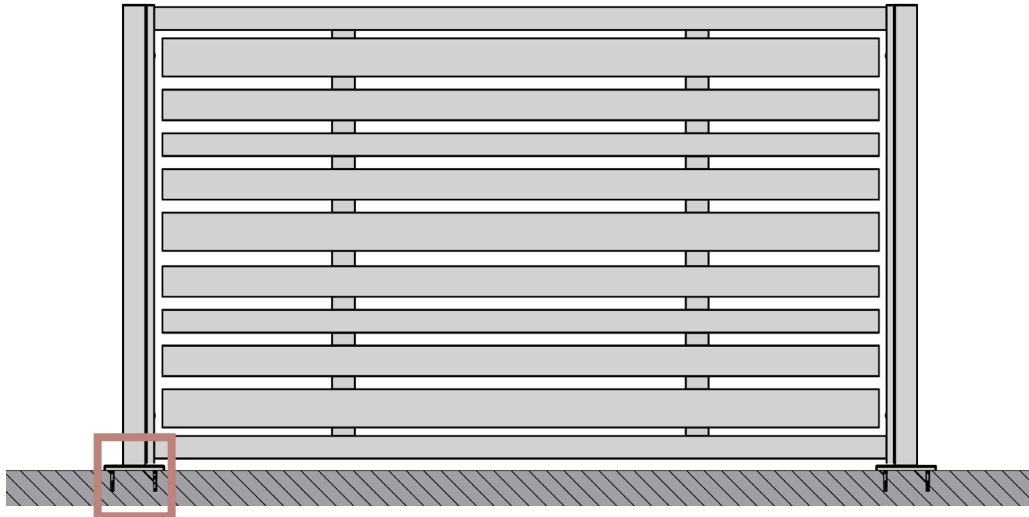


12mm



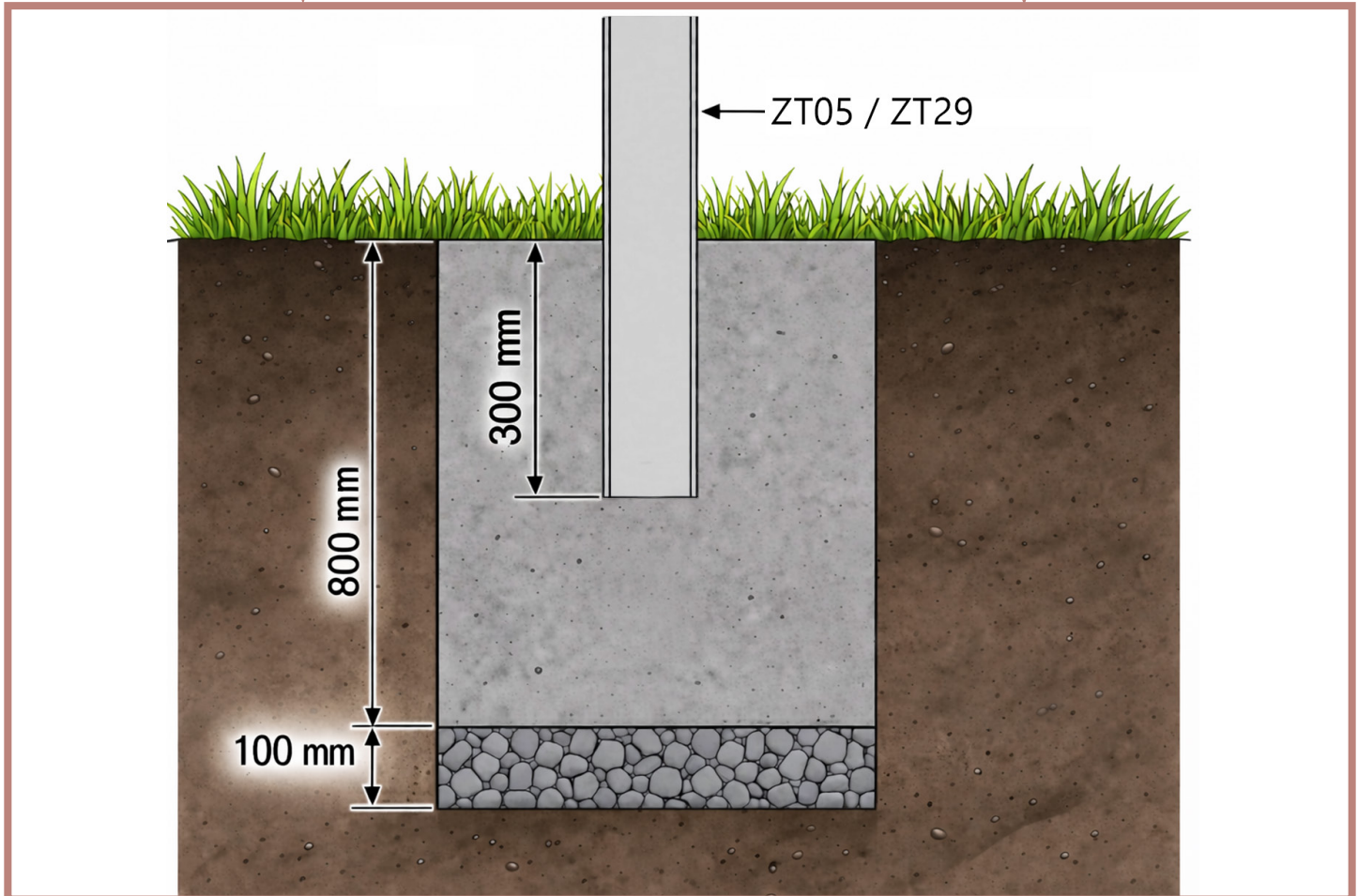
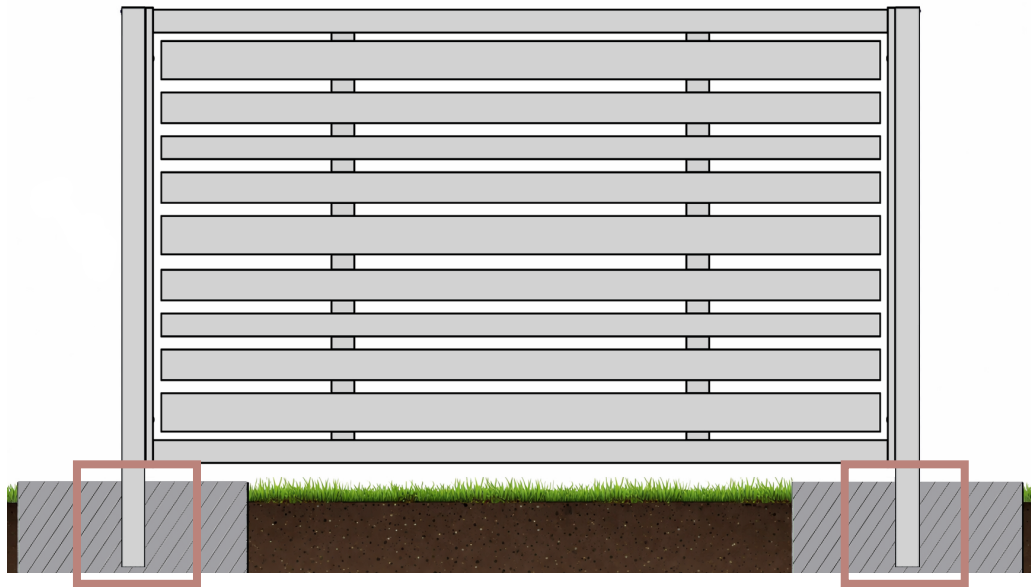
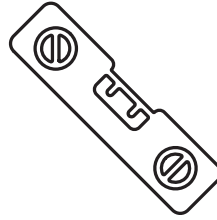
1

A



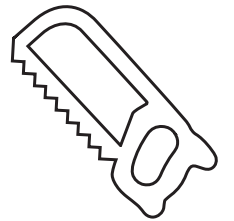
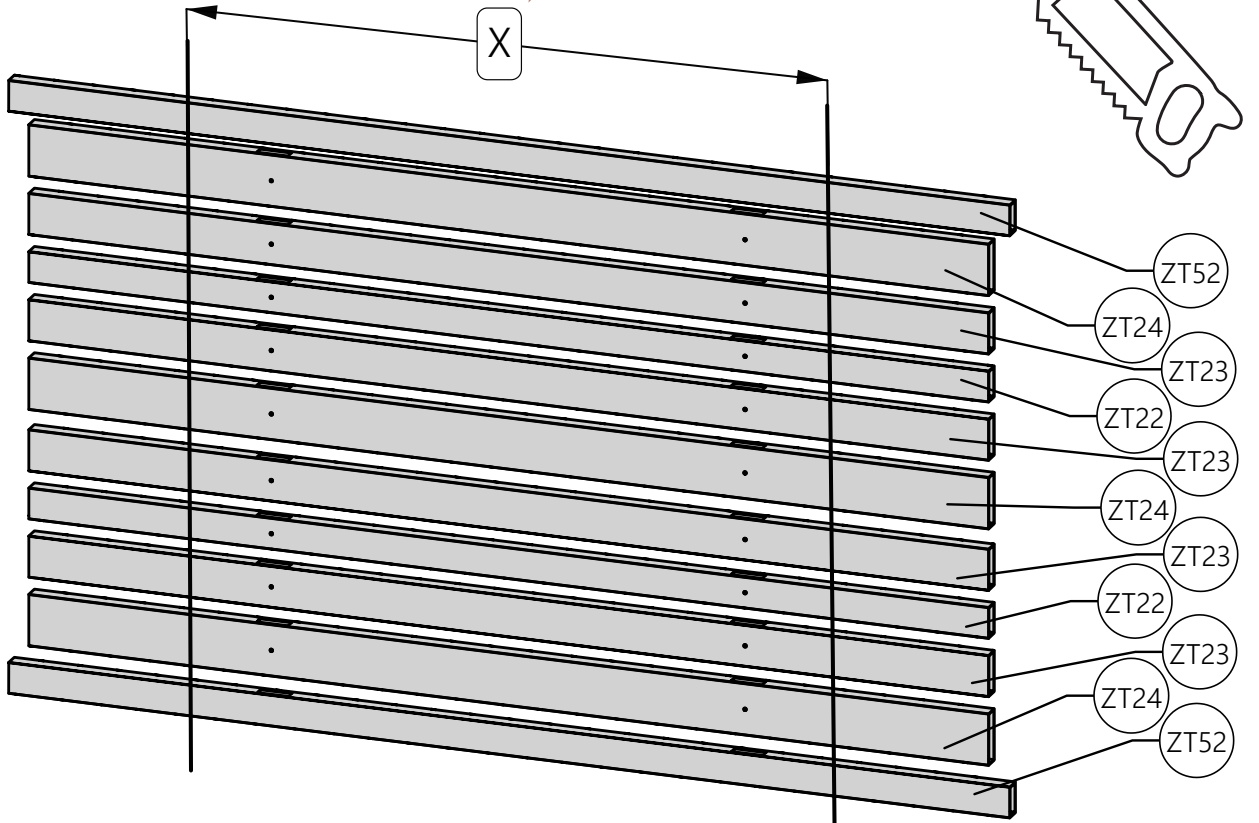
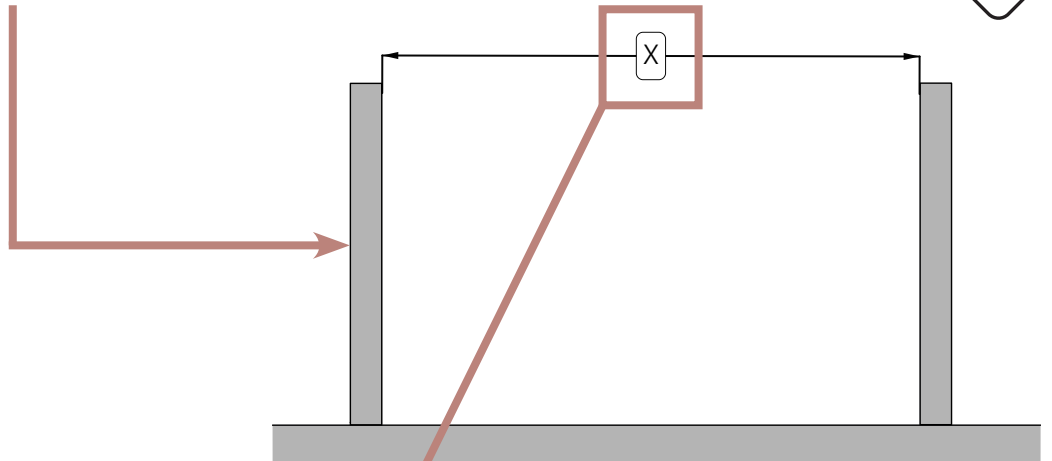
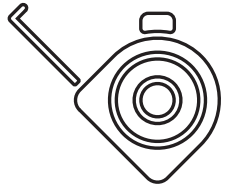
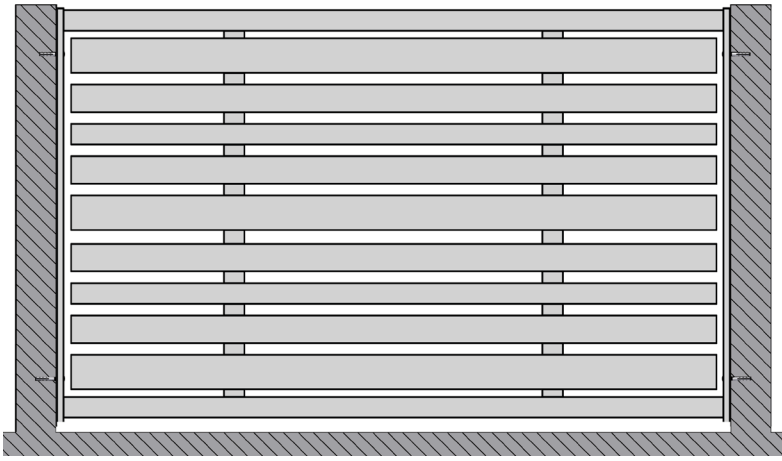
2

B



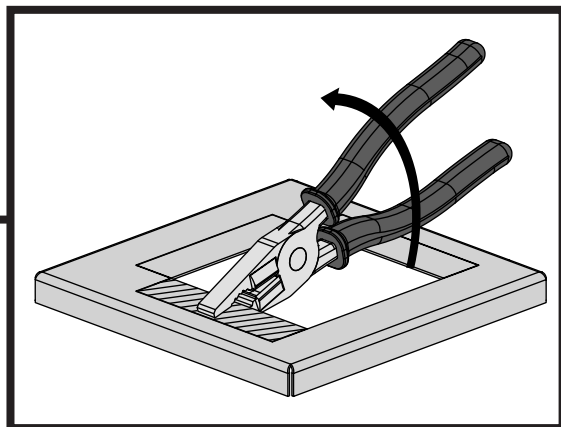
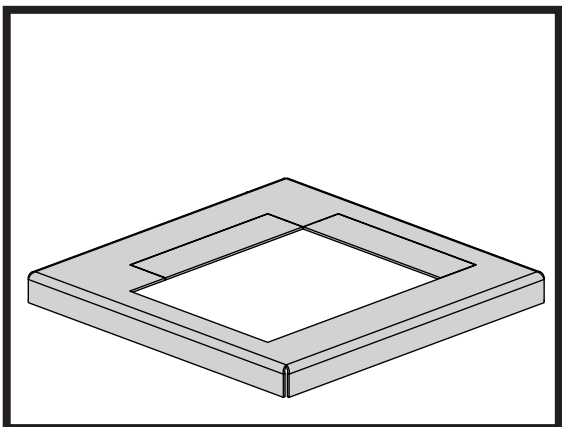
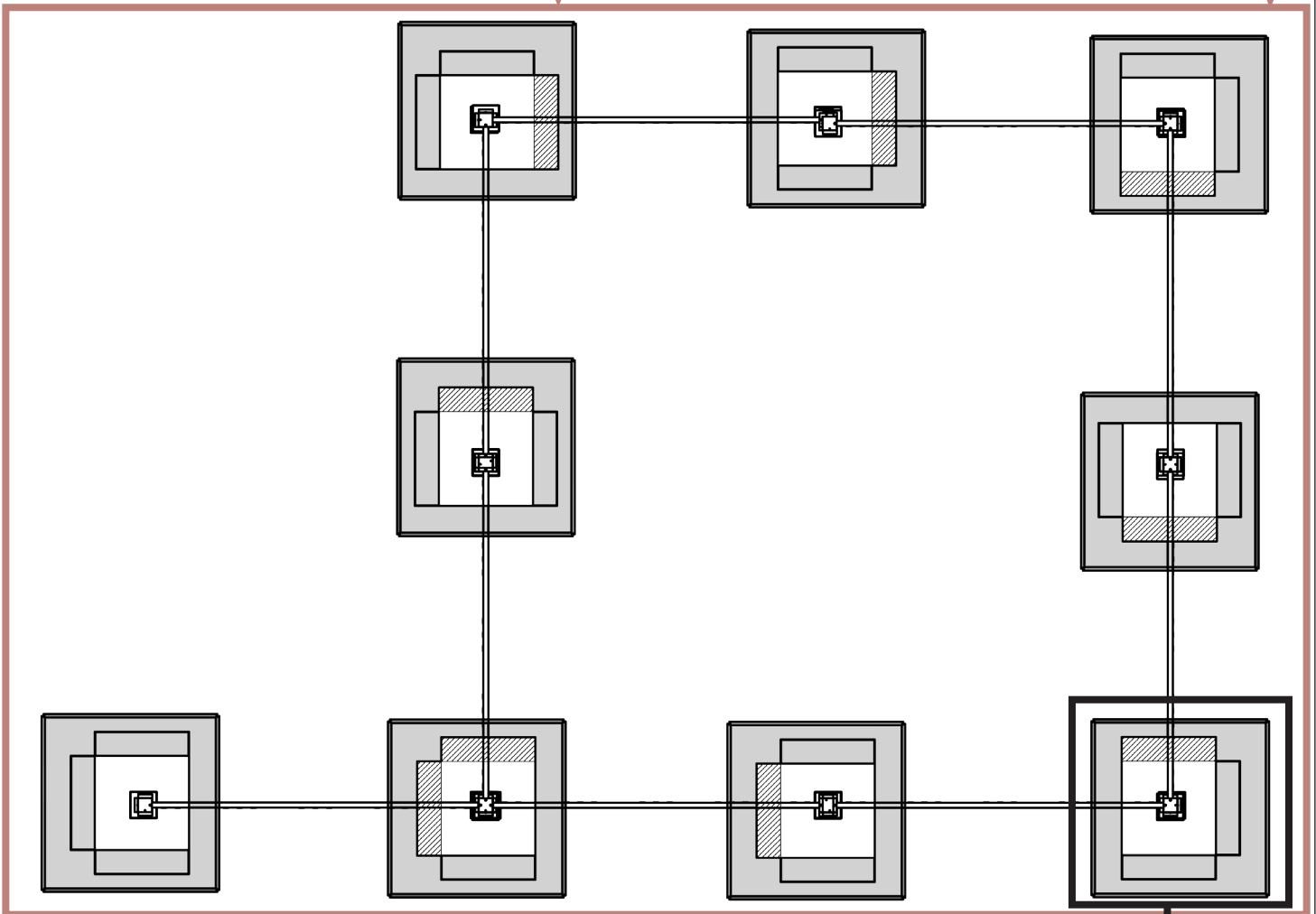
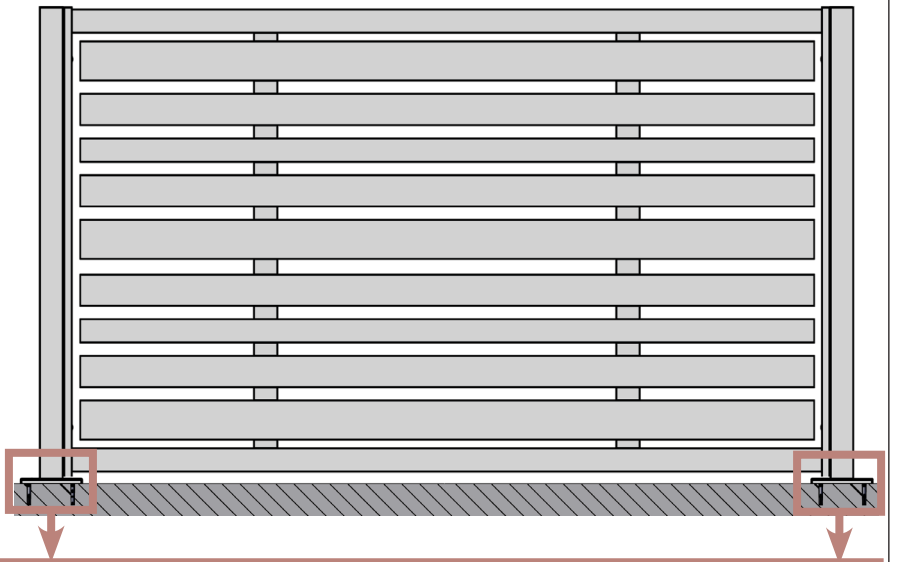
3

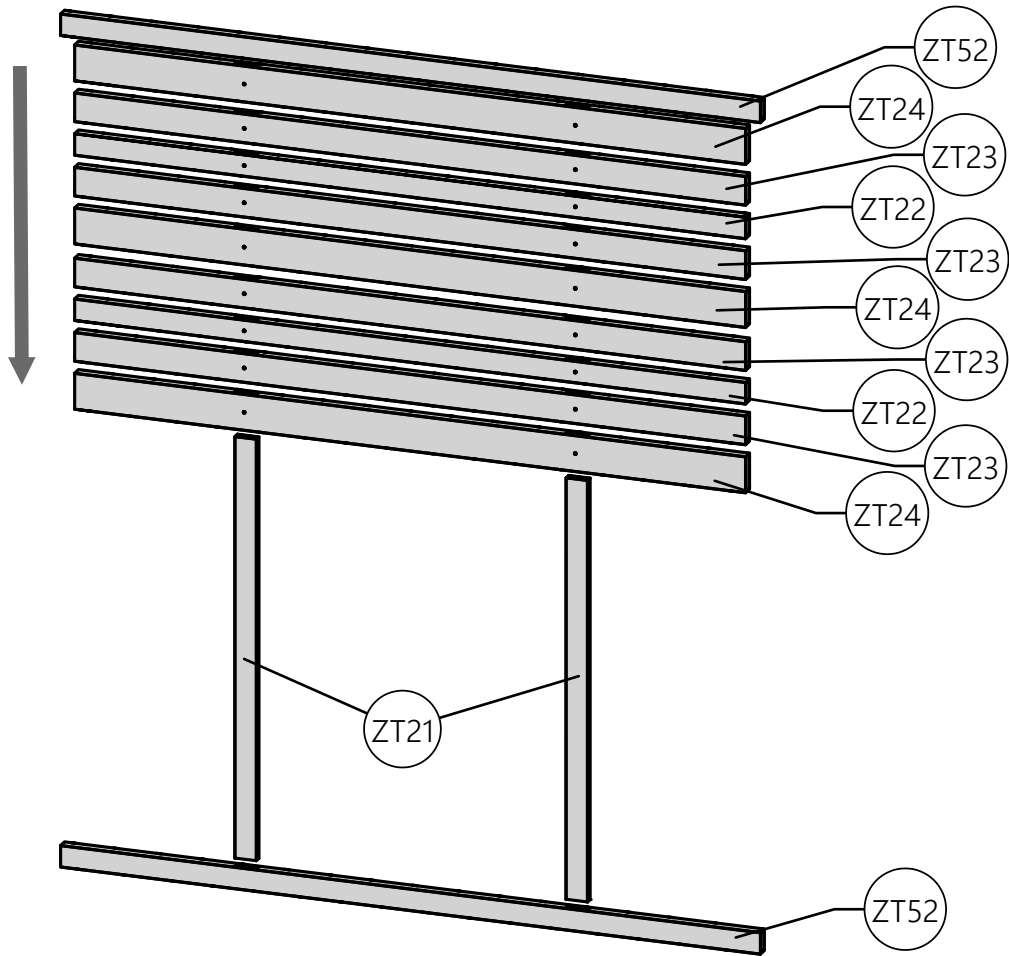
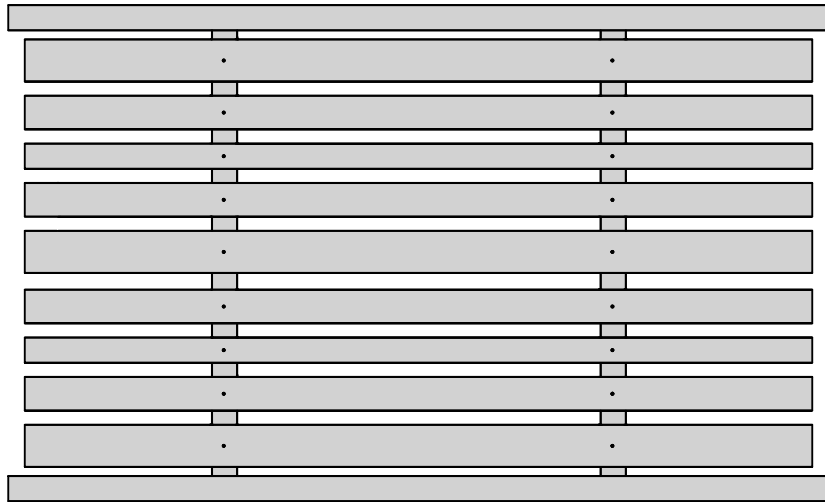
C



4

A



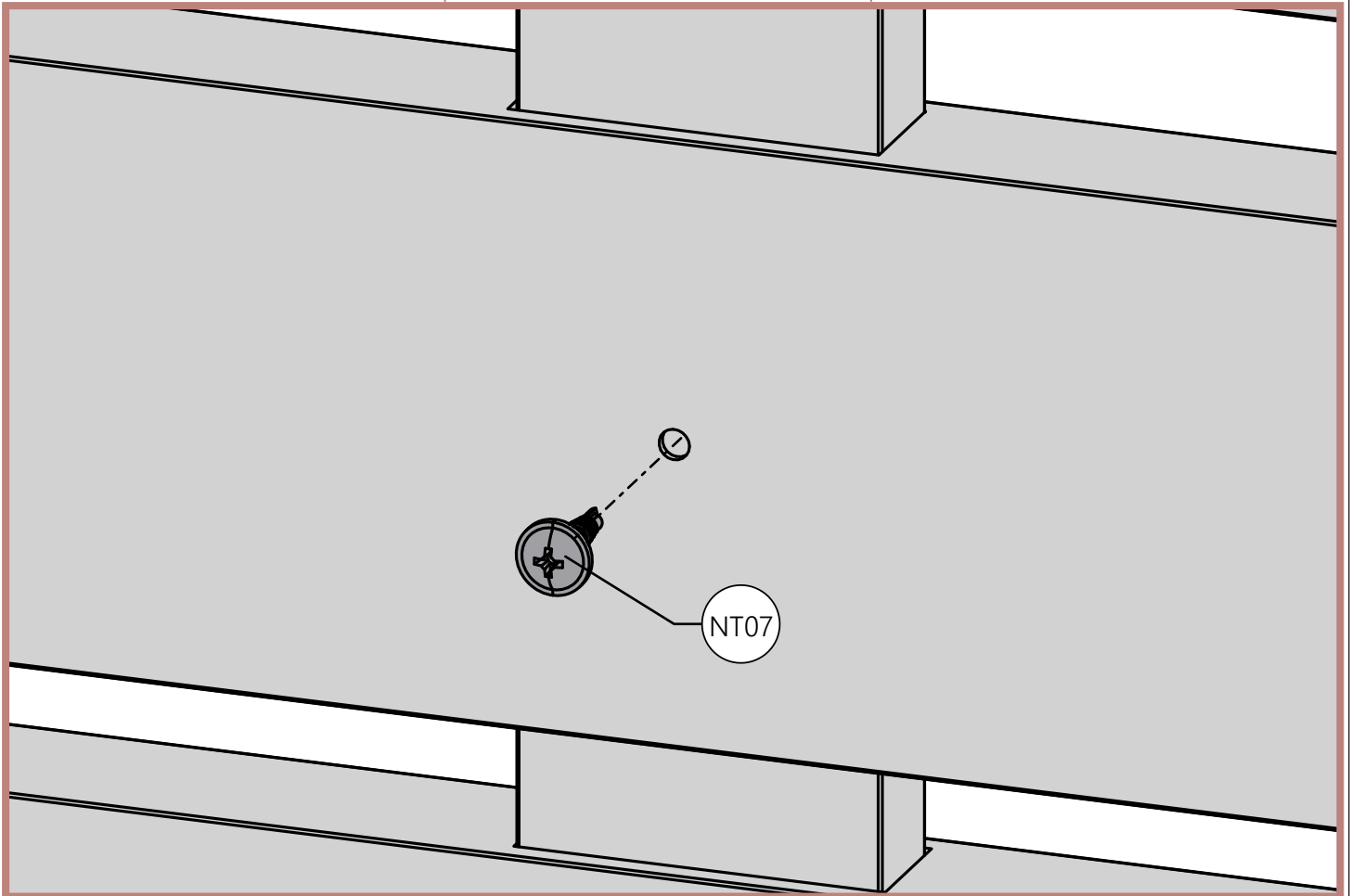
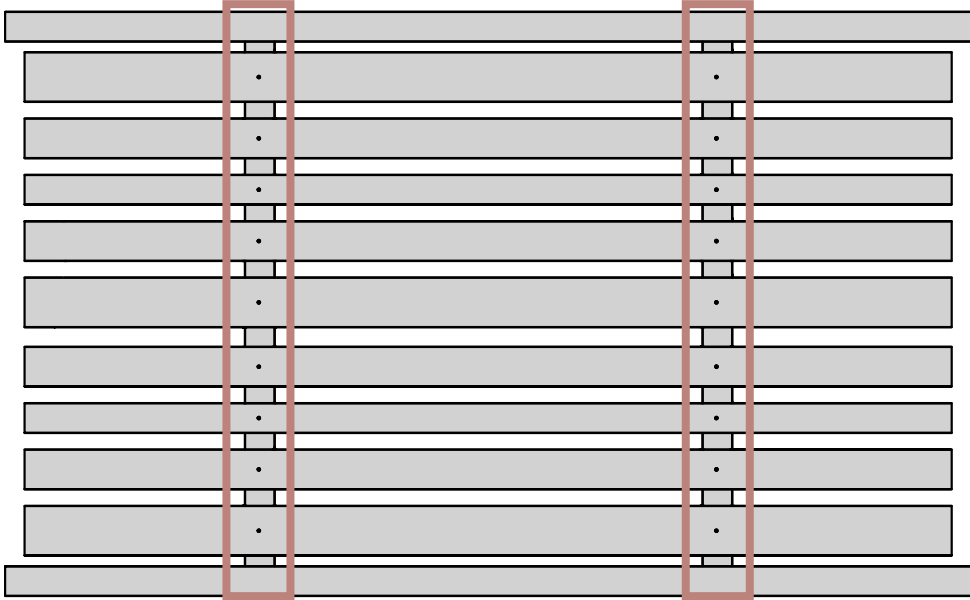
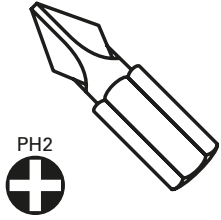


6

A

B

C

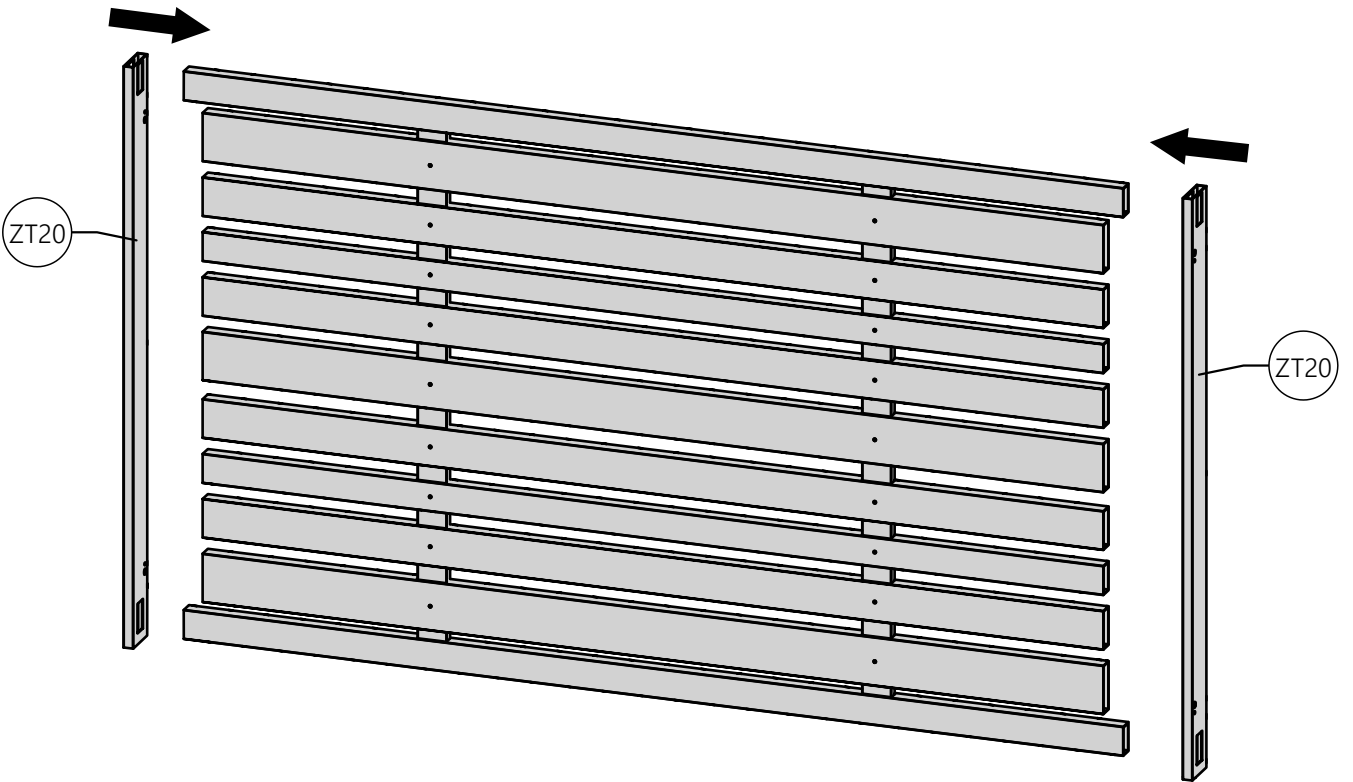
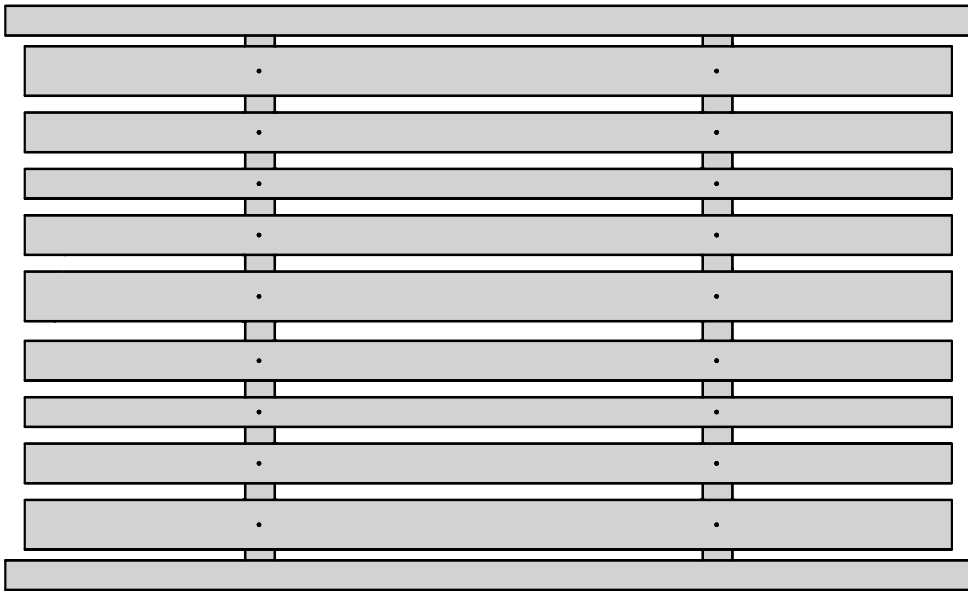


7

A

B

C

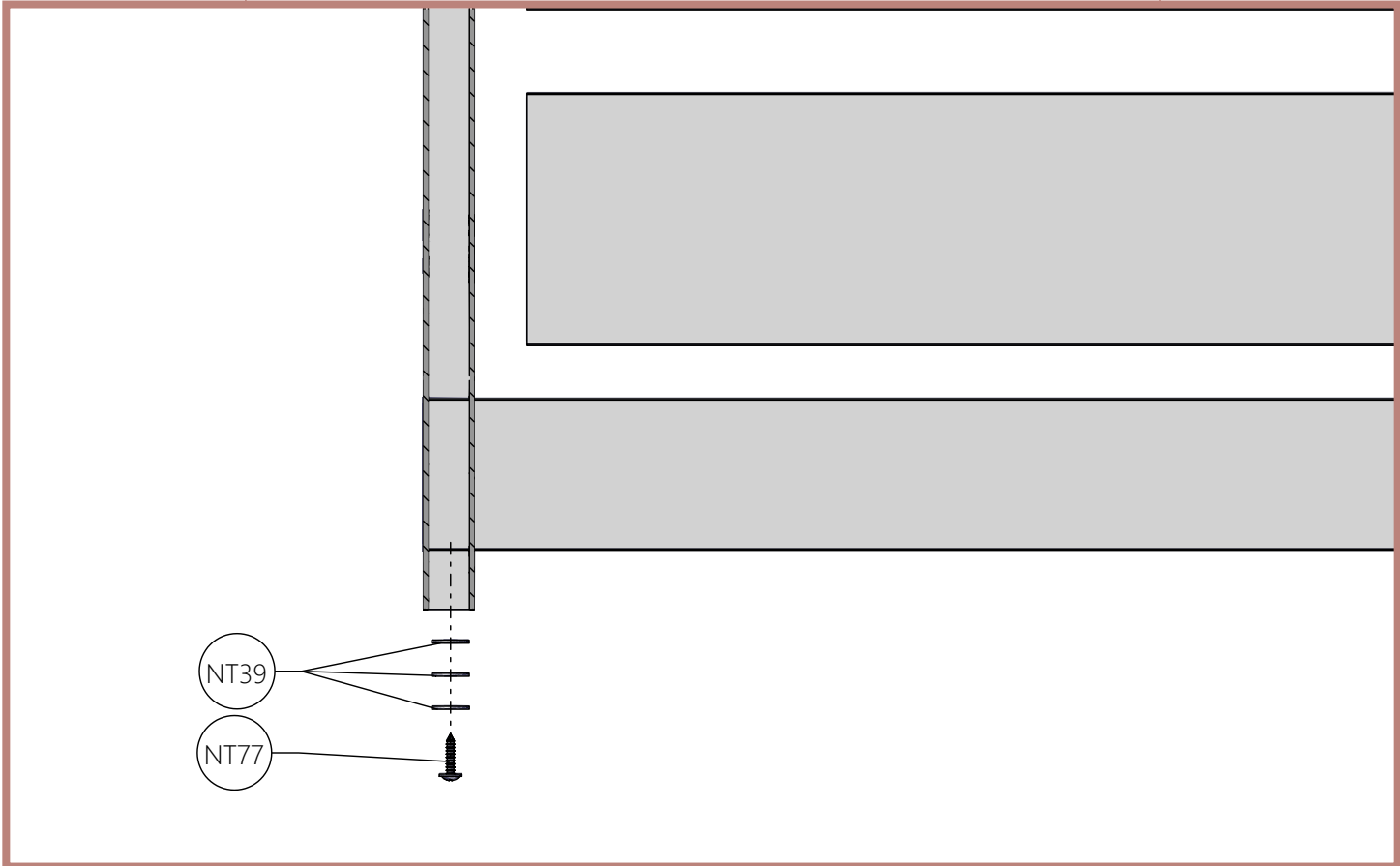
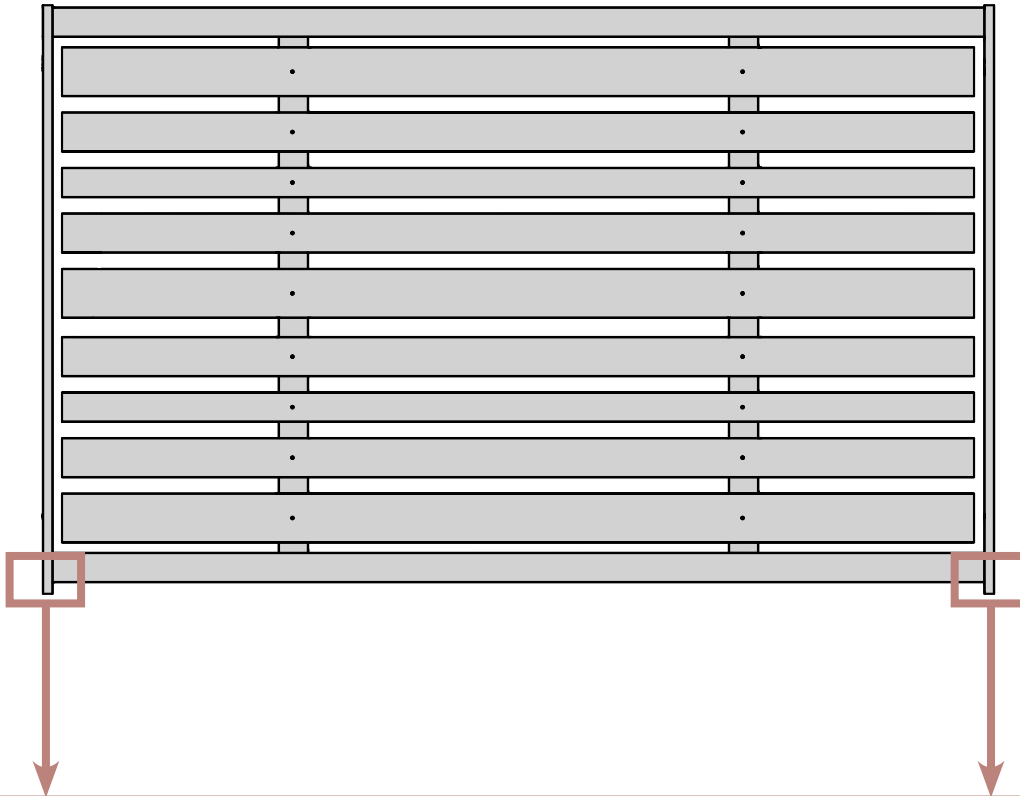
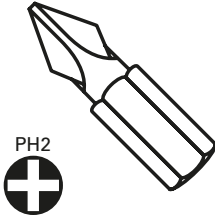


8

A

B

C

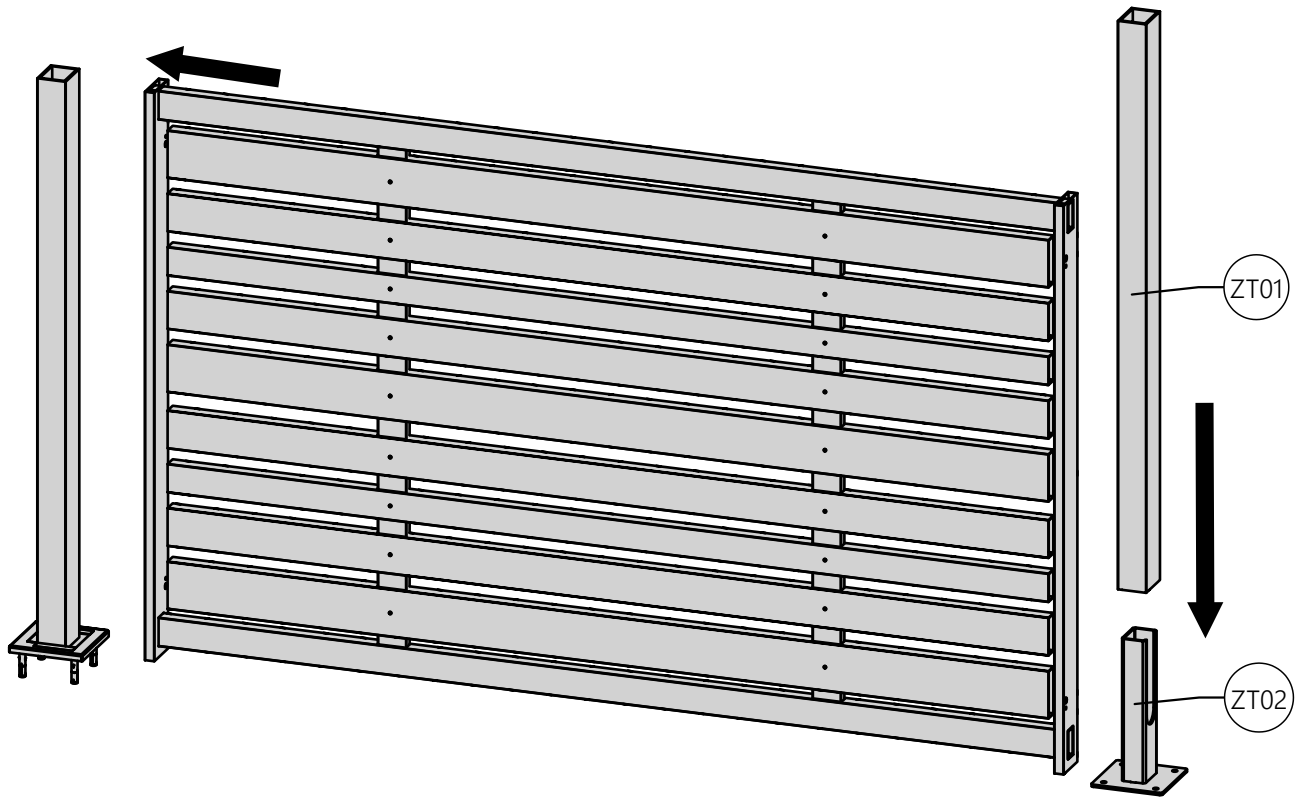
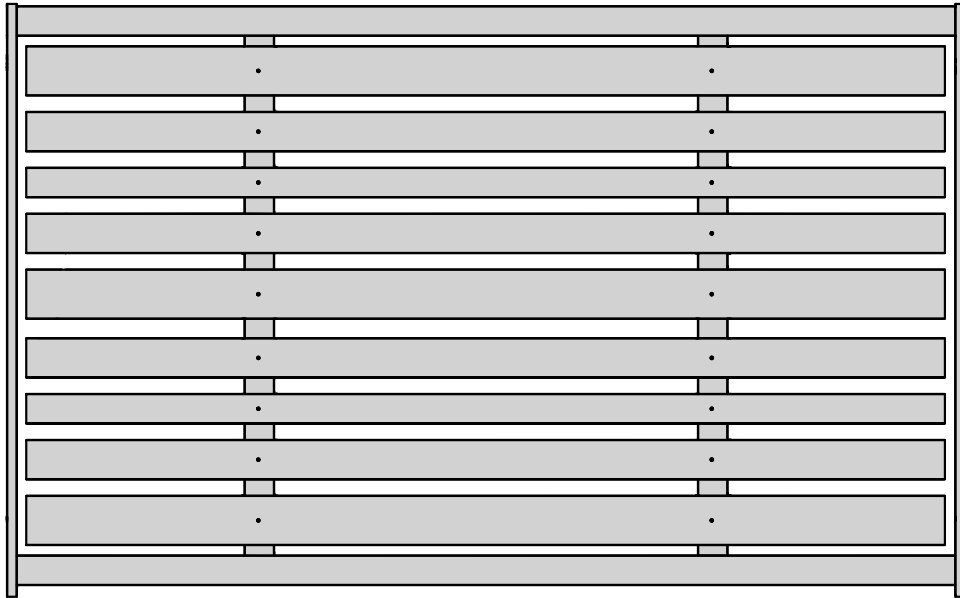


NT39

NT77

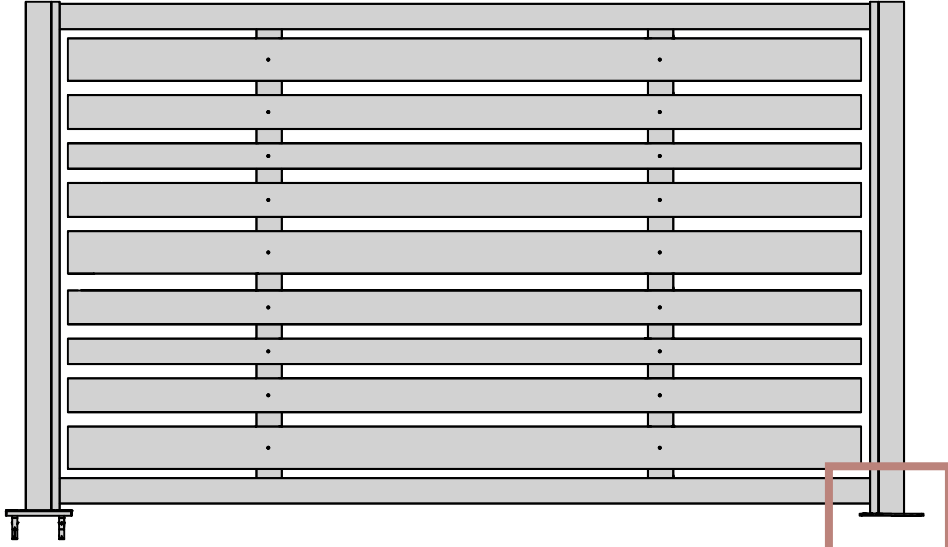
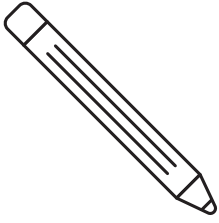
9

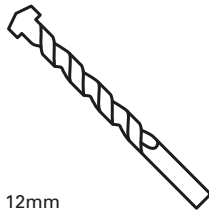
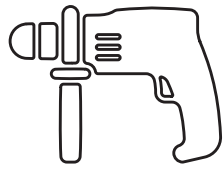
A



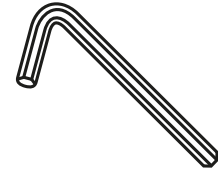
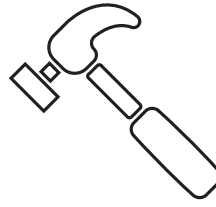
10

A





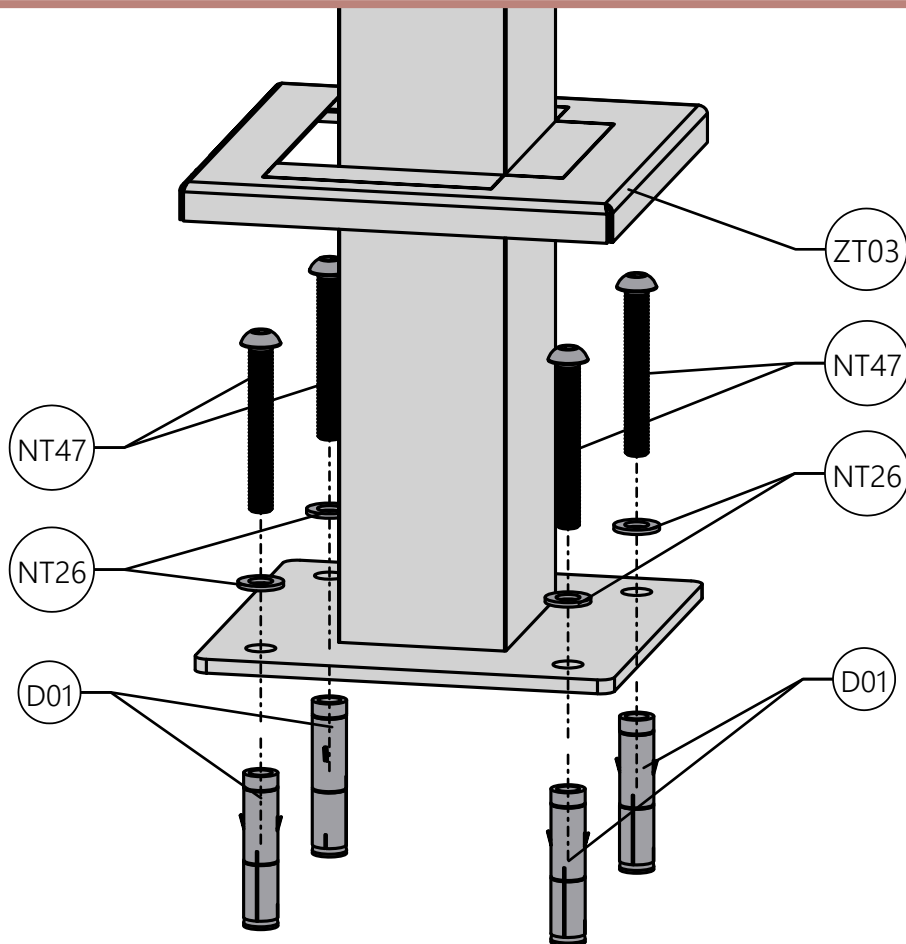
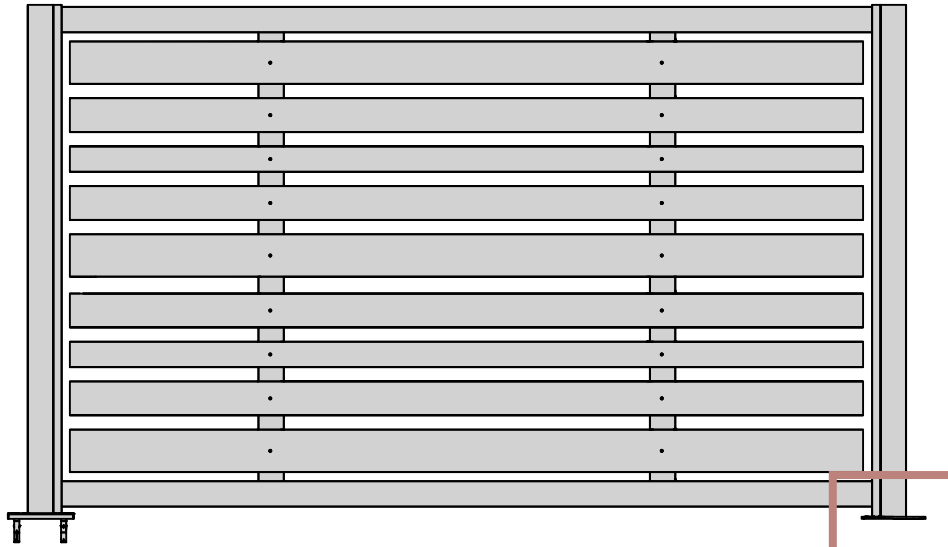
12mm



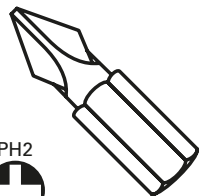
5mm

11

A

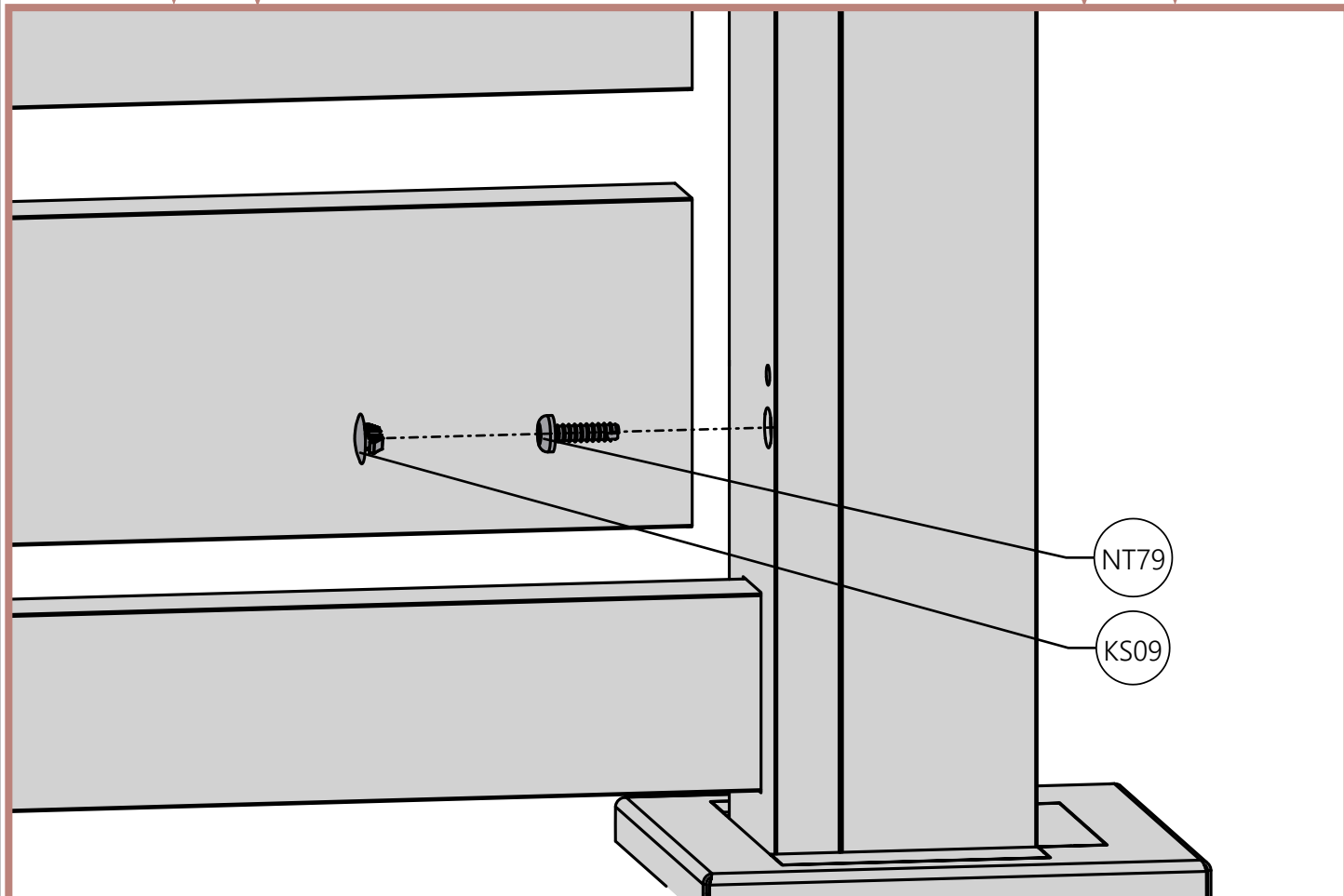
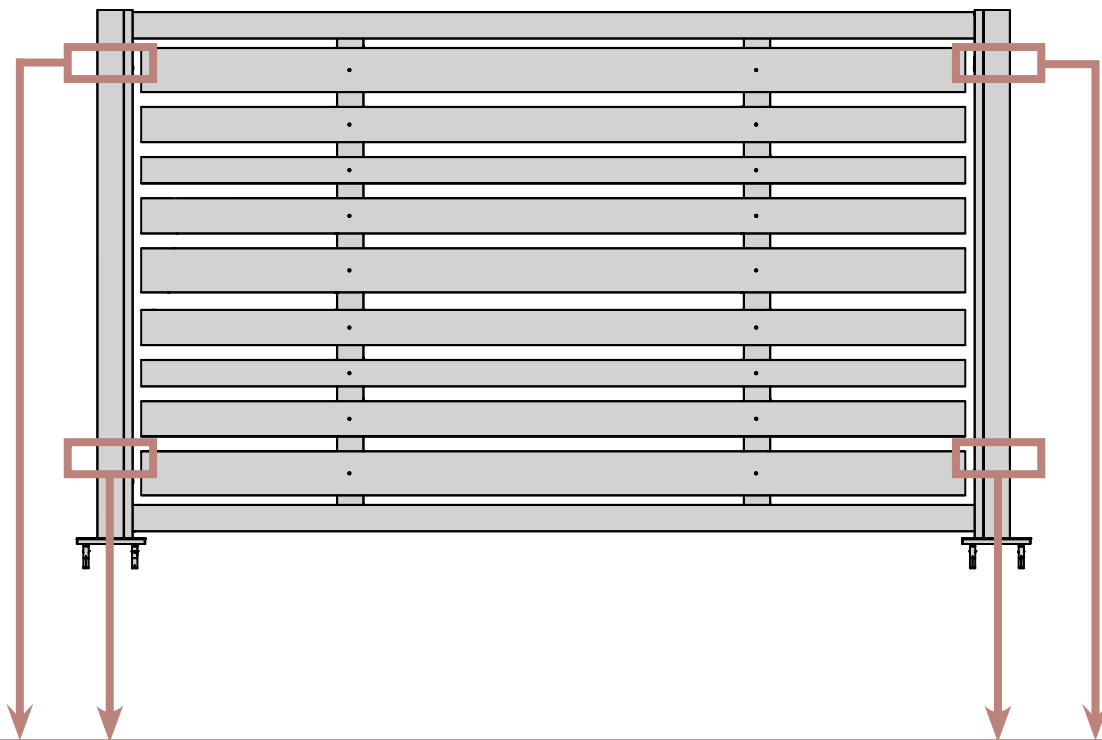


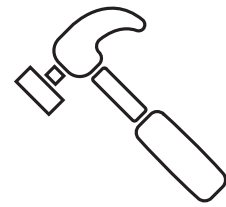
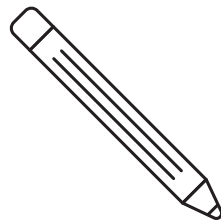
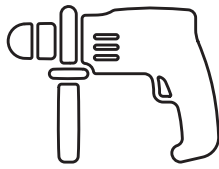
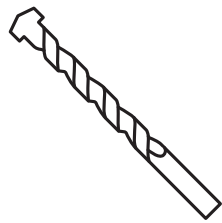
12



A

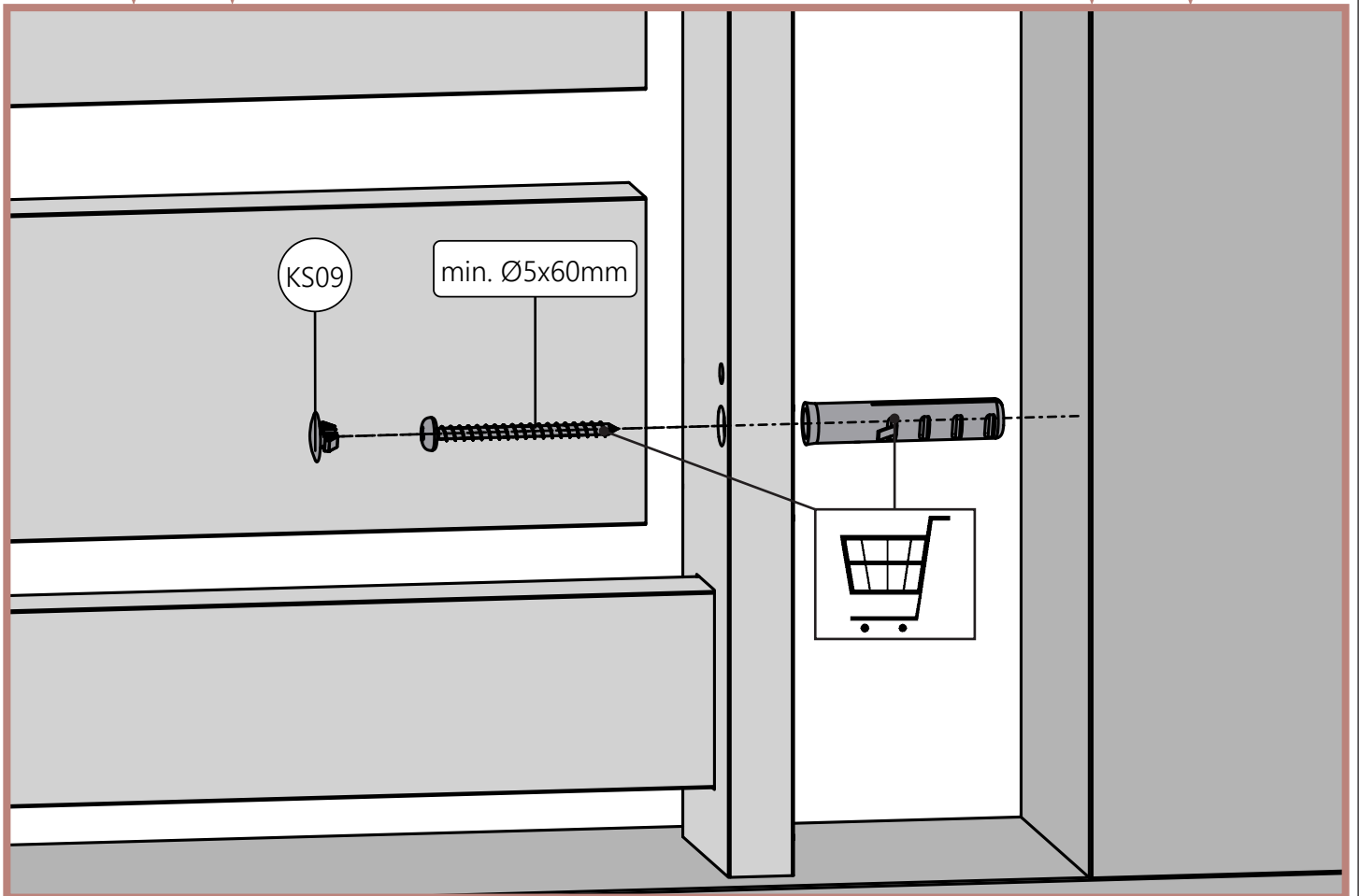
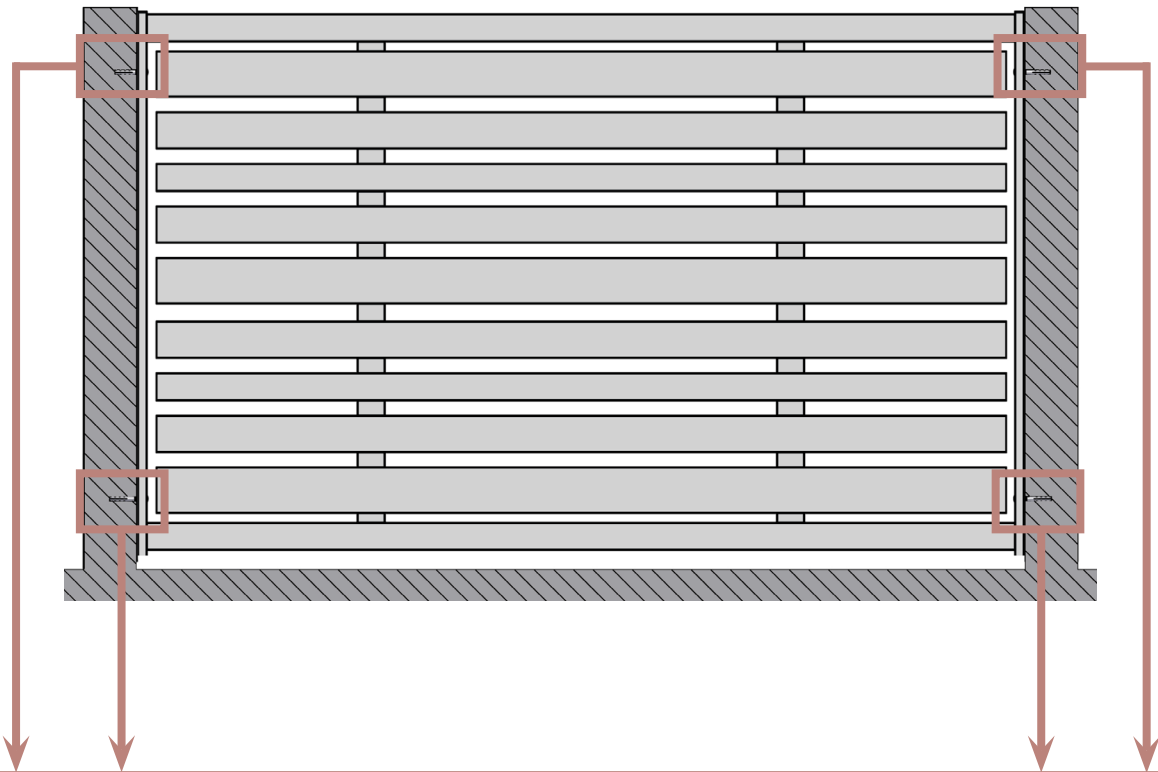
B



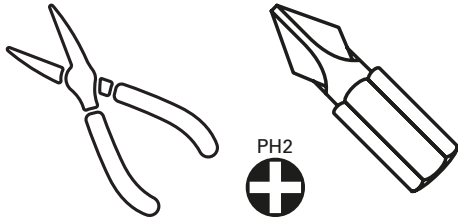


13

C



14



A

B

