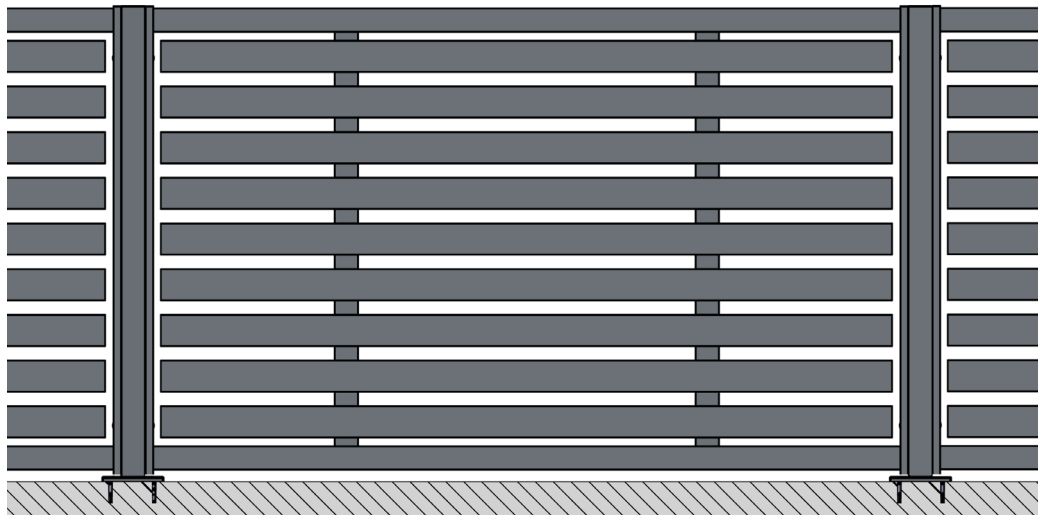


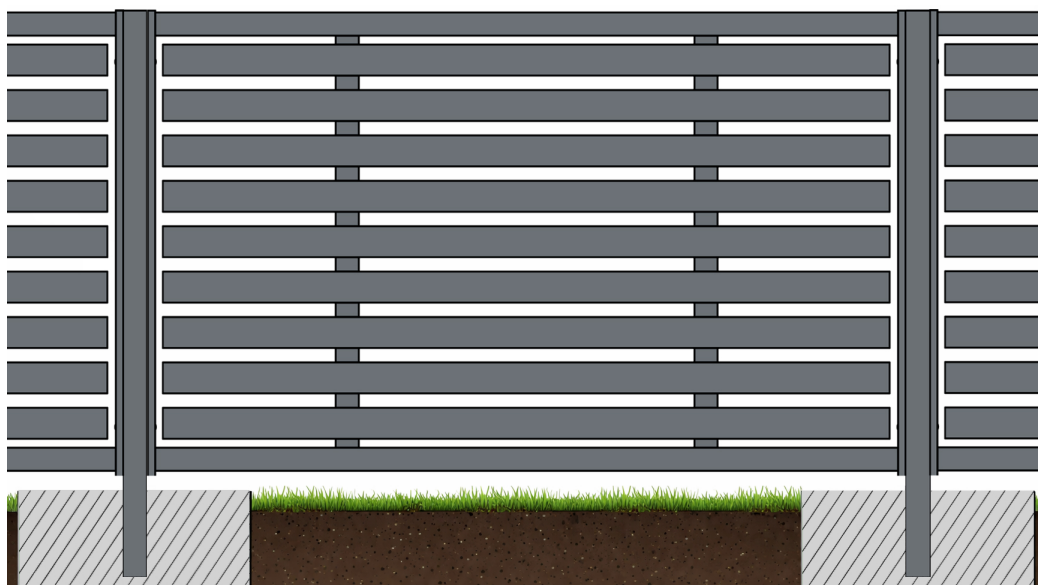
PLANO 120 MEDIUM



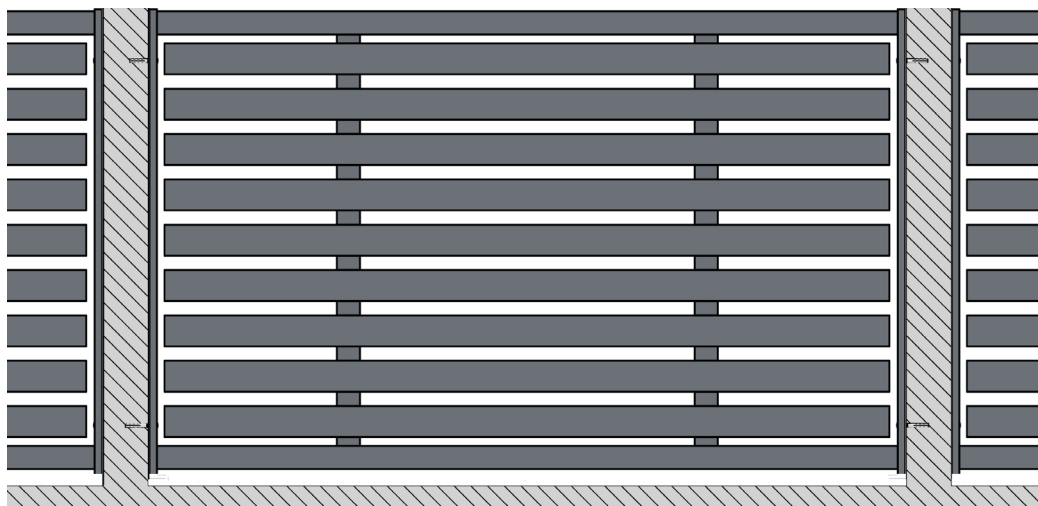
A



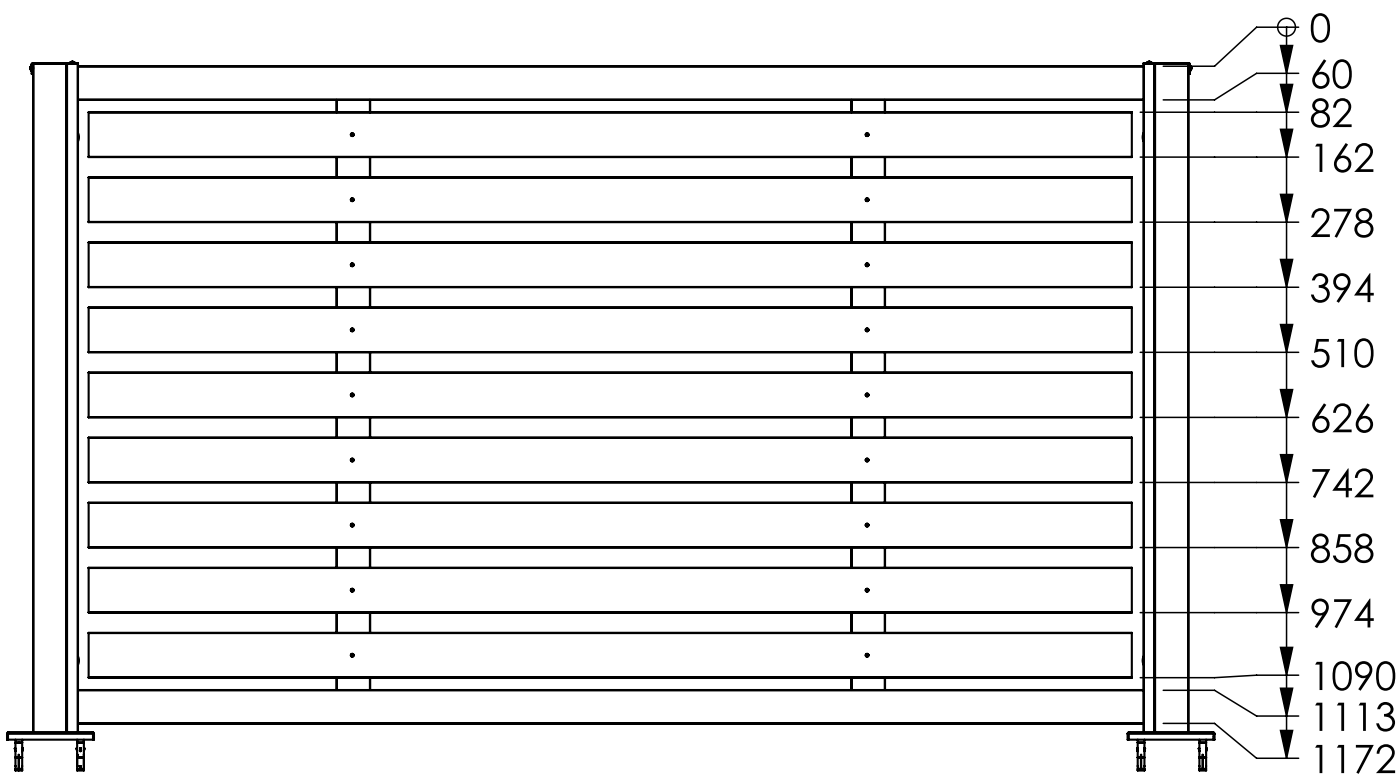
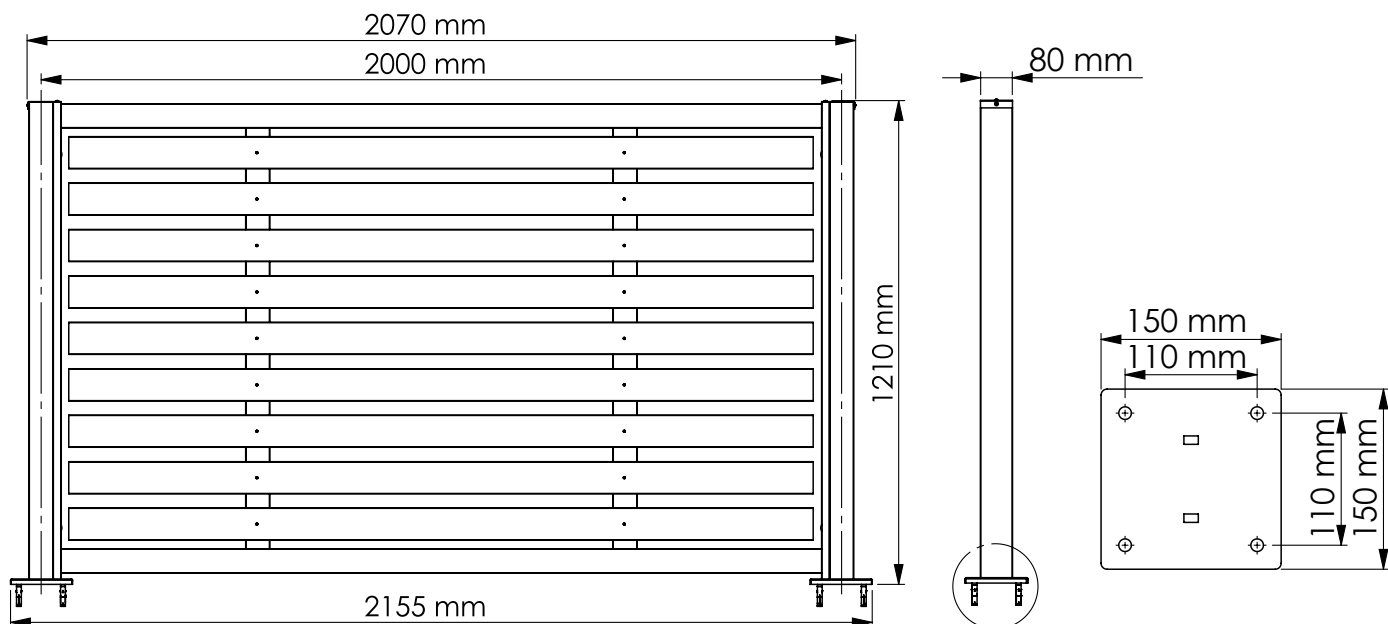
B



C



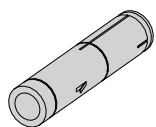
PLANO 120 MEDIUM



PLANO 120 MEDIUM



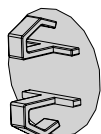
8x



D01

M8x55 mm

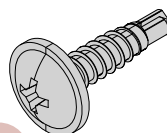
4x



KS09

Ø13 mm

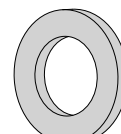
18x



NT07

Ø4,2x19 mm

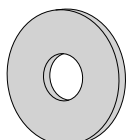
8x



NT26

M8 DIN125A

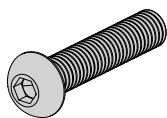
12x



NT39

M5 DIN9021

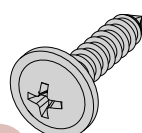
8x



NT47

M8x60 mm ISO7380-1

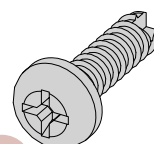
6x



NT77

Ø3,5x16 mm

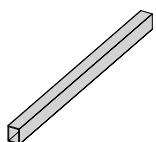
4x



NT79

Ø5,5x22 mm

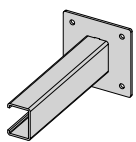
2x



ZT01

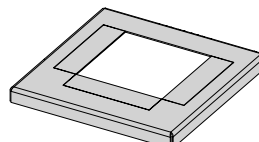
80x60x1200 mm

2x



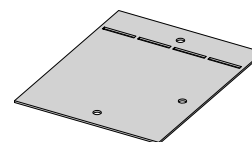
ZT02

2x



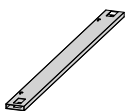
ZT03

2x



ZT04

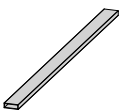
2x



ZT20

80x20x1200 mm

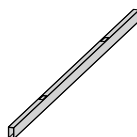
2x



ZT21

60x20x1168 mm

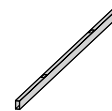
9x



ZT23

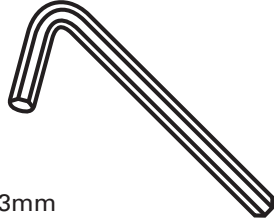
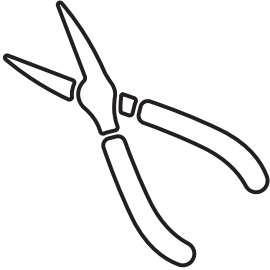
80x30x1860 mm

2x

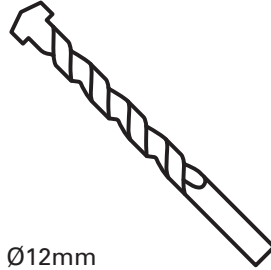


ZT52

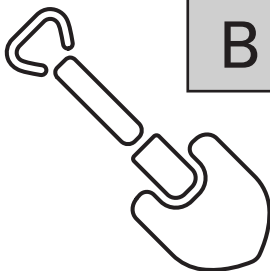
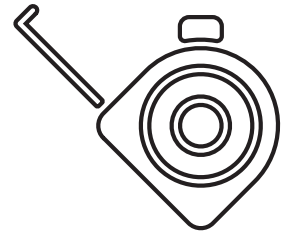
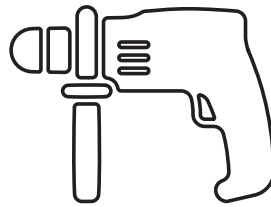
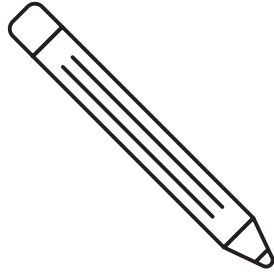
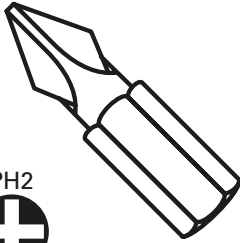
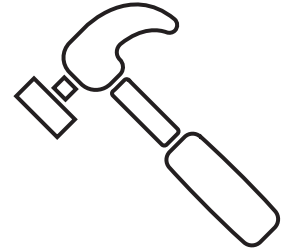
60x30x1940 mm



3mm
5mm



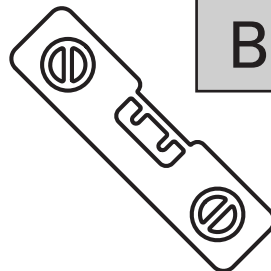
Ø12mm



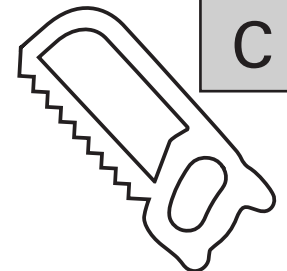
B



B

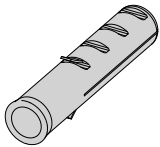


B



C

4x



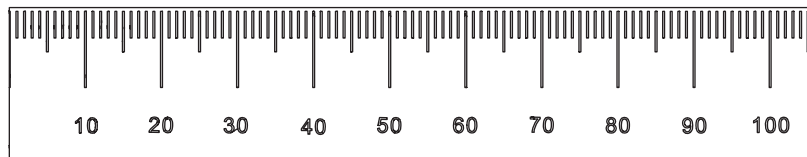
C

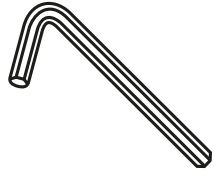
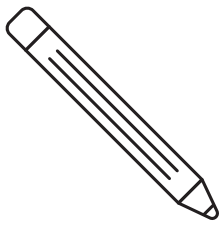
4x



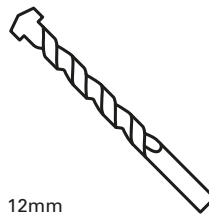
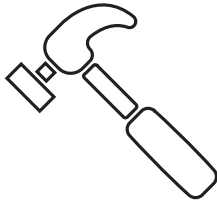
min. Ø5x60 mm

C

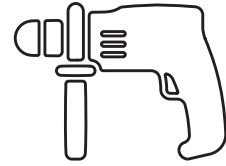




5mm

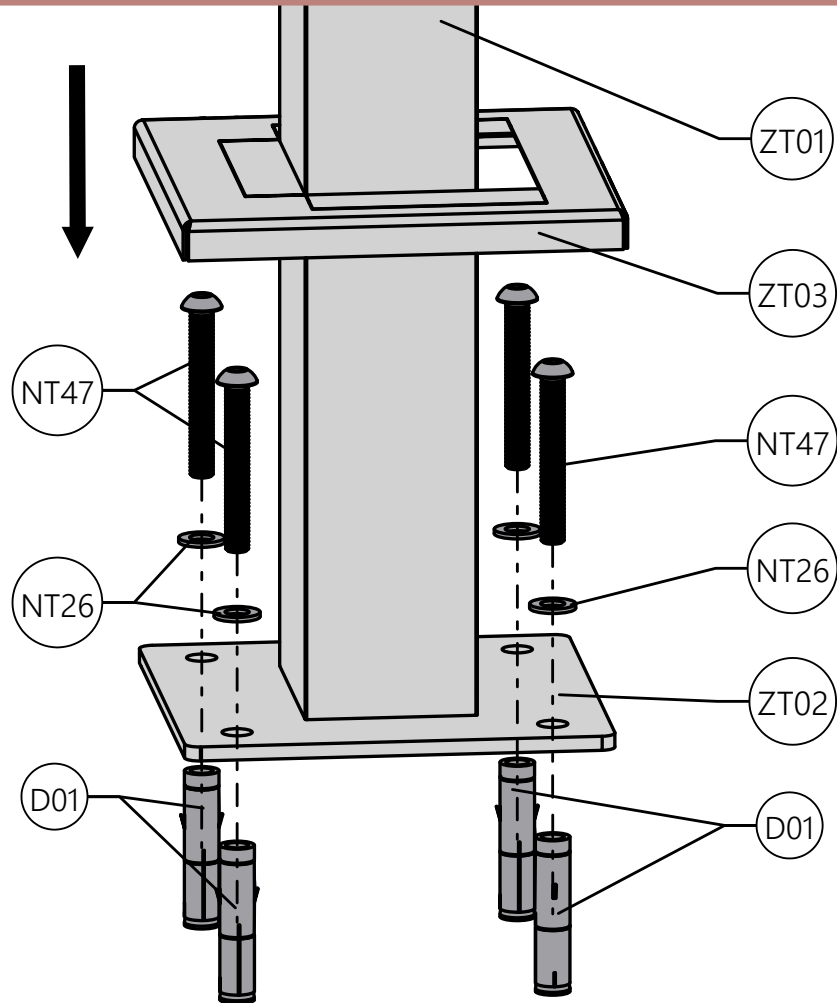
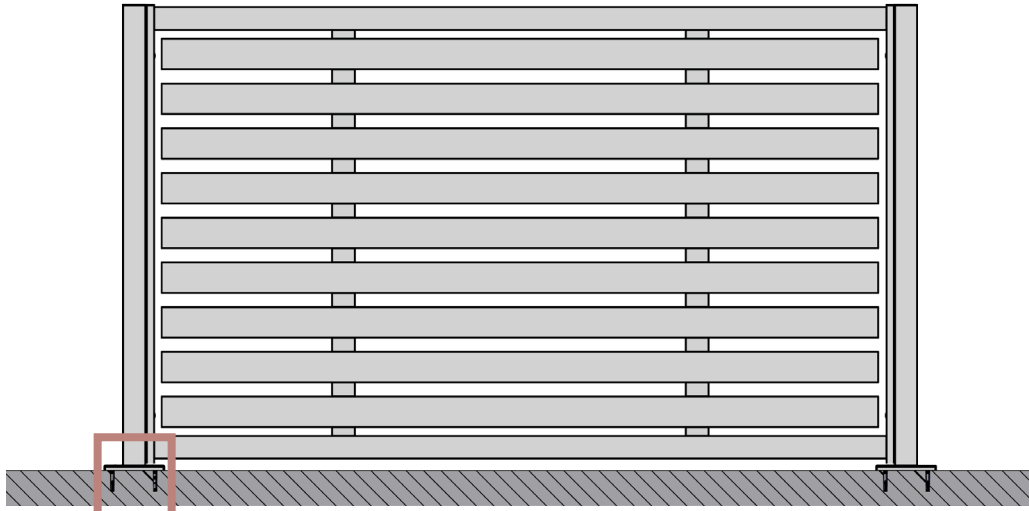


12mm



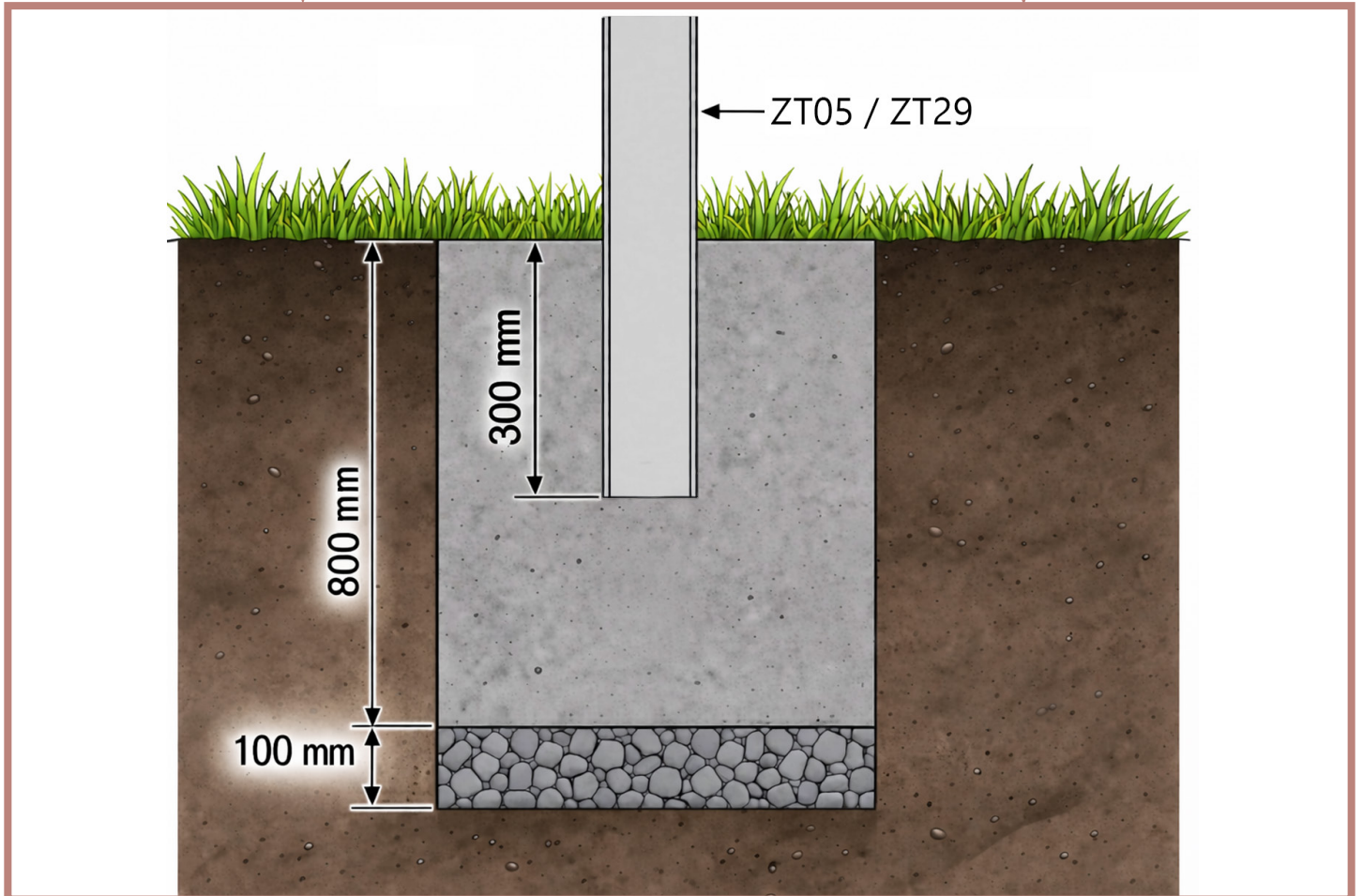
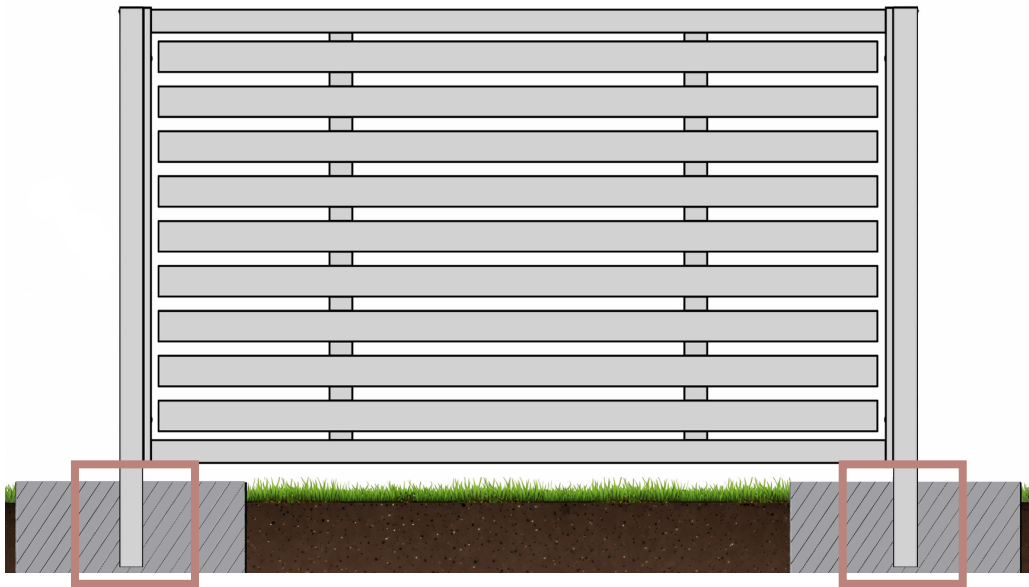
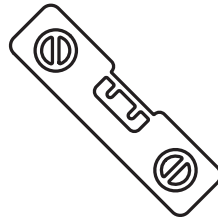
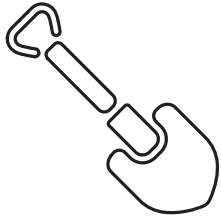
1

A



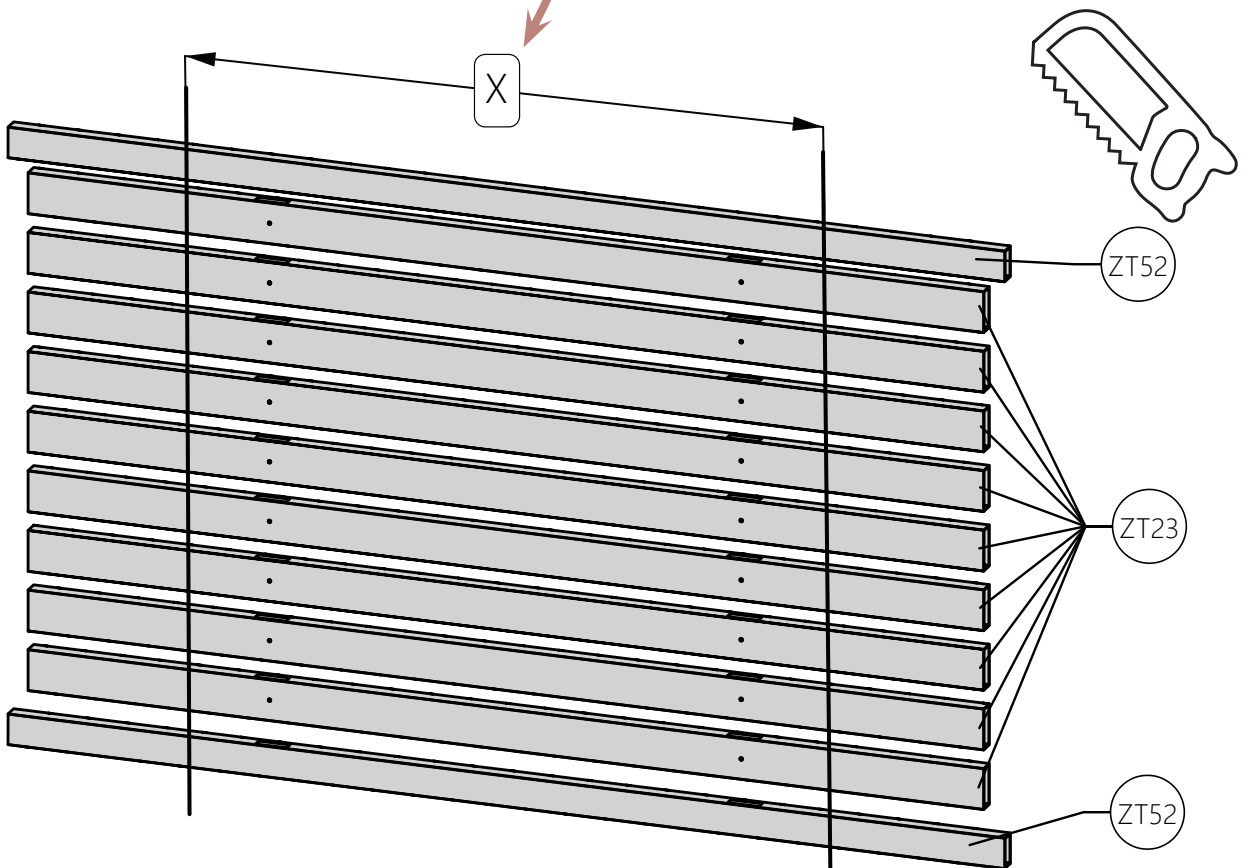
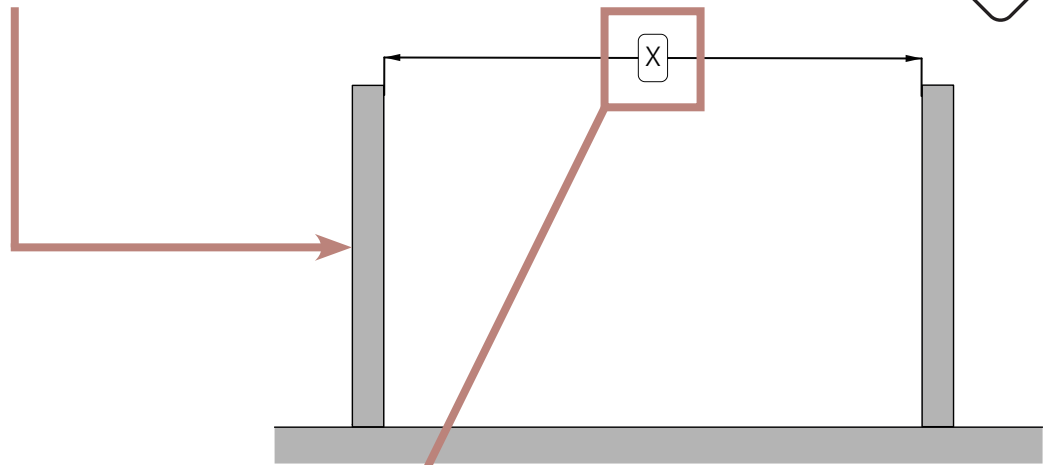
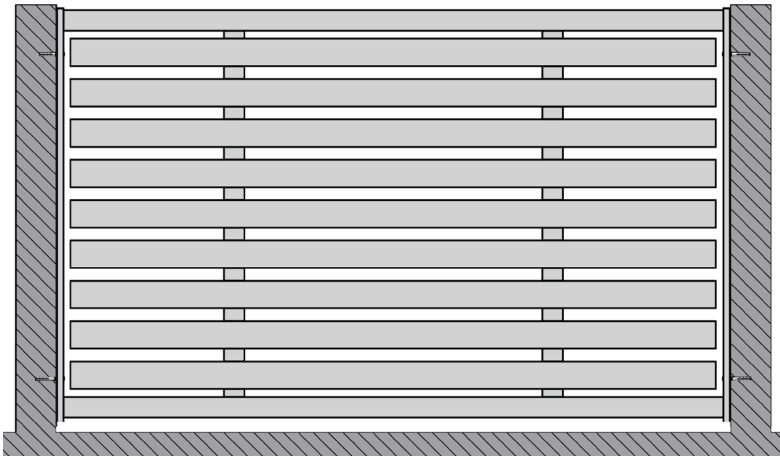
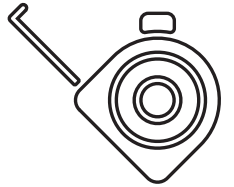
2

B



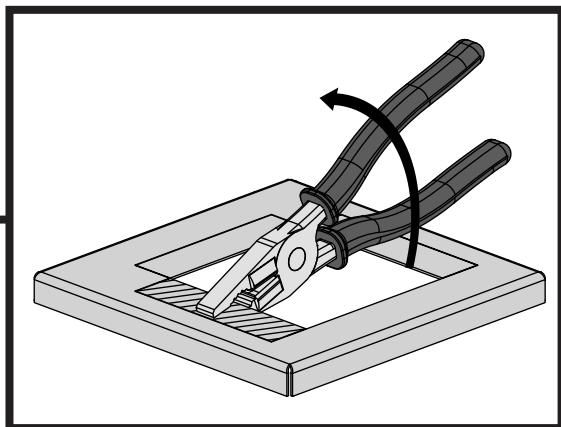
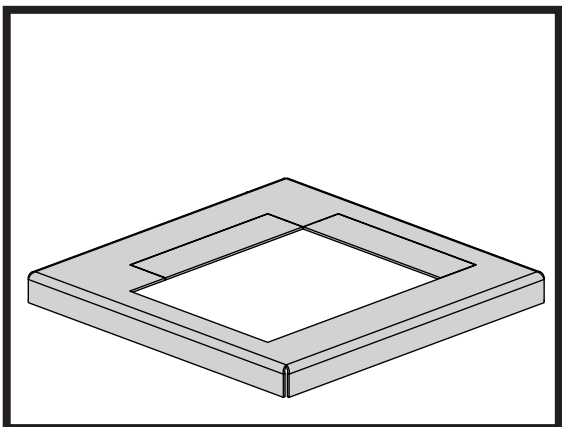
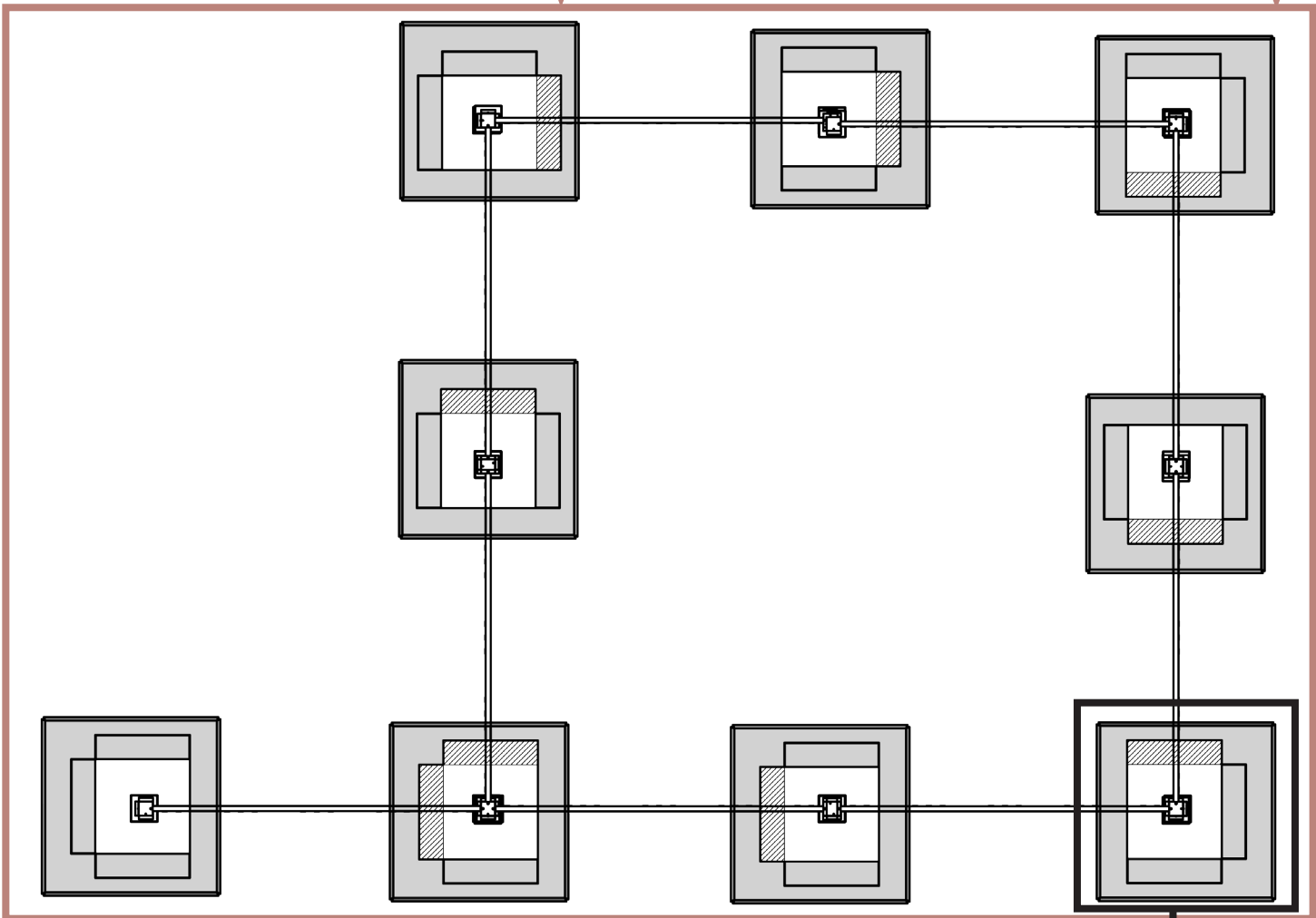
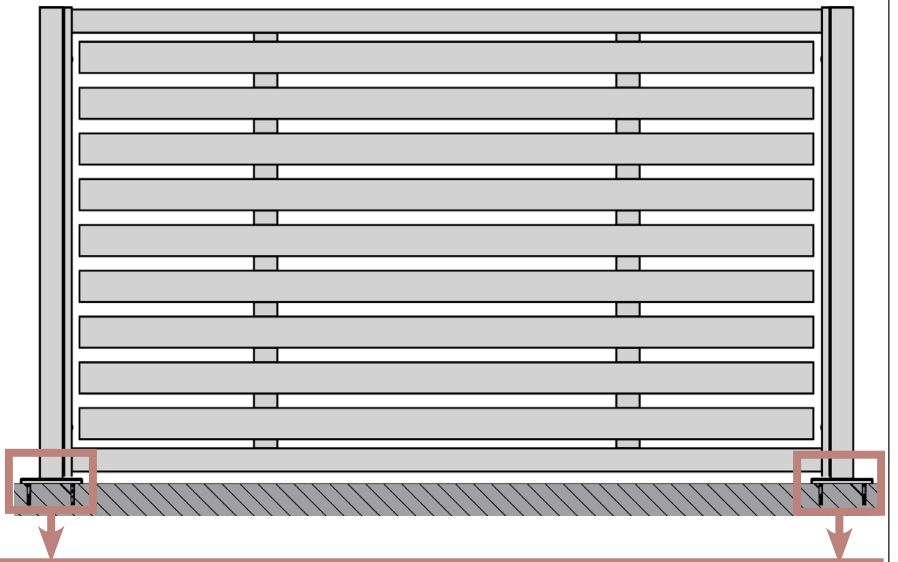
3

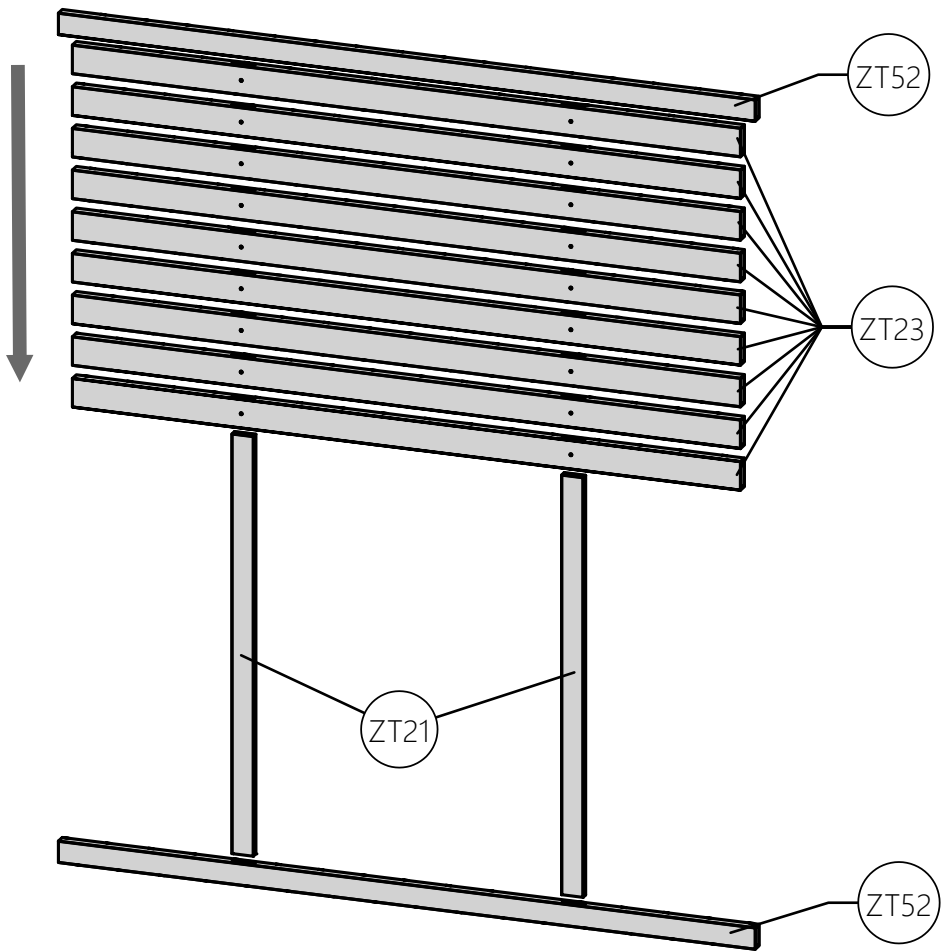
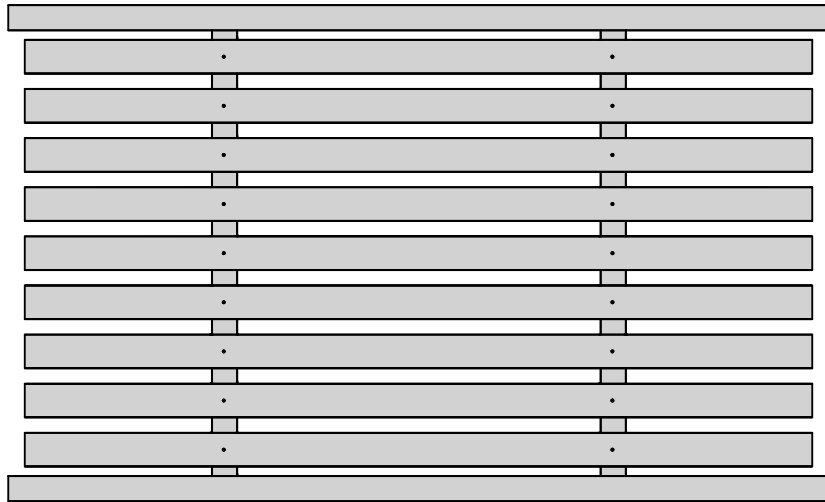
C



4

A



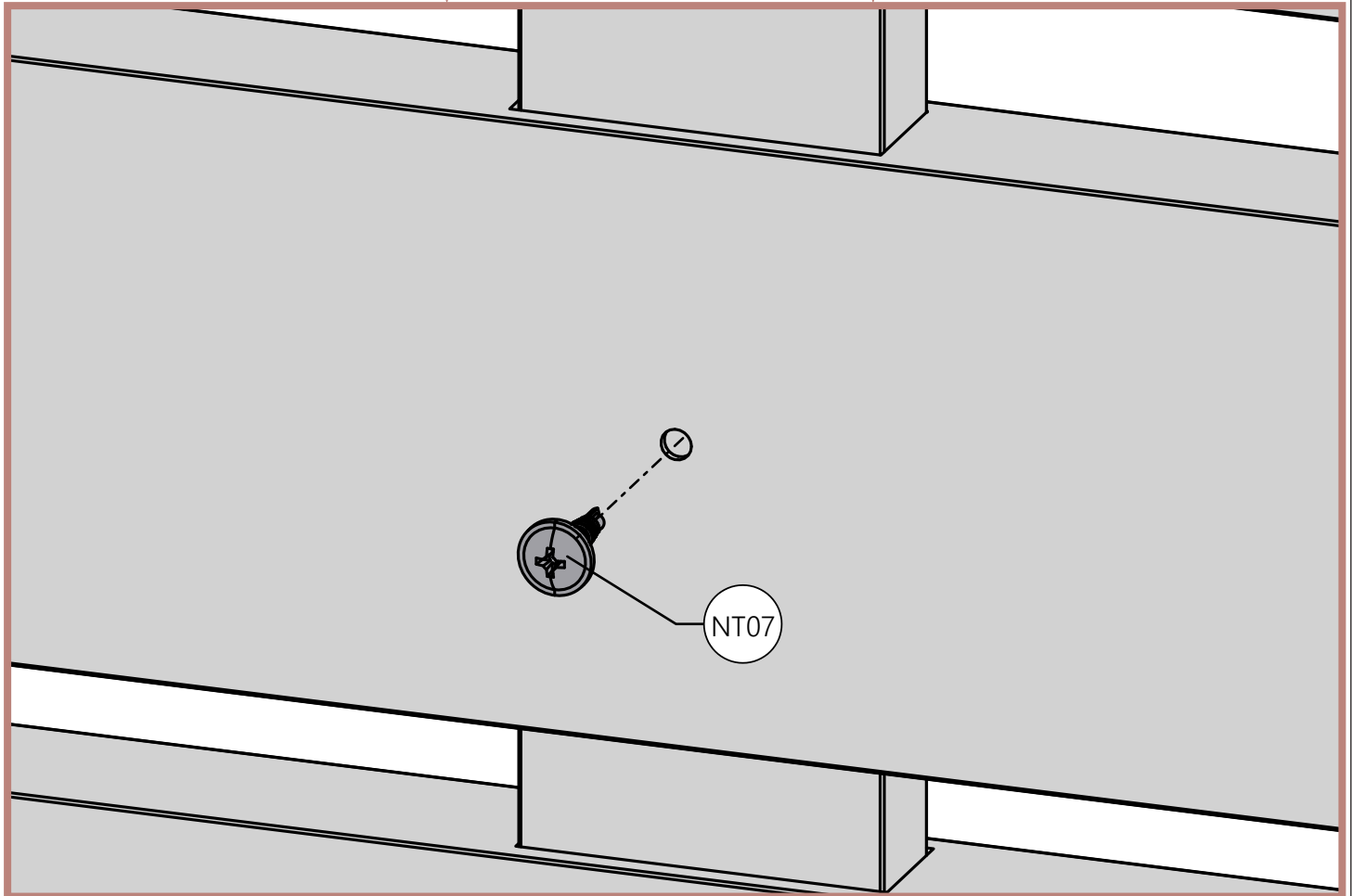
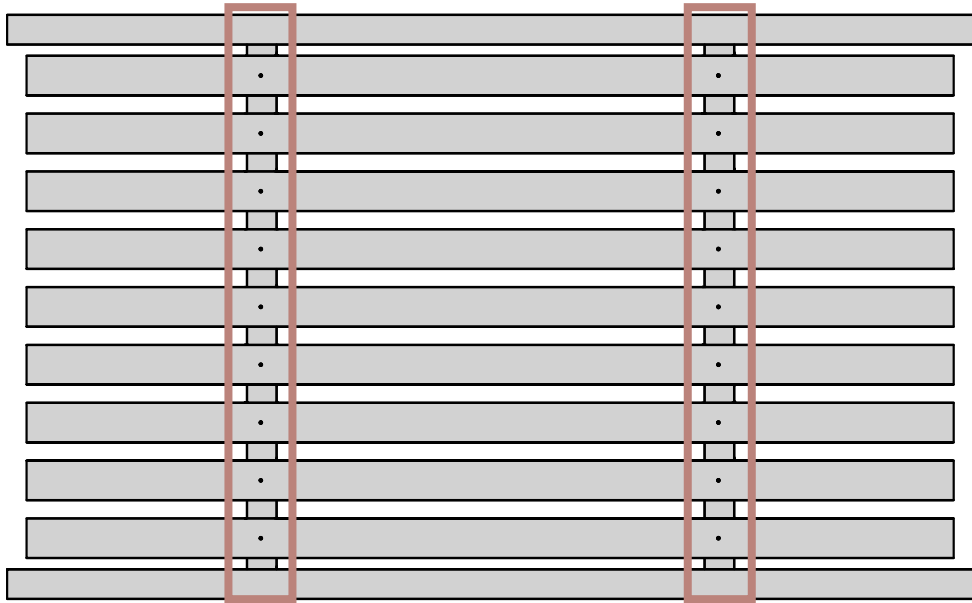
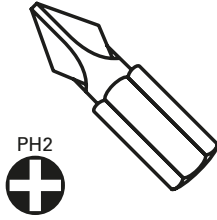


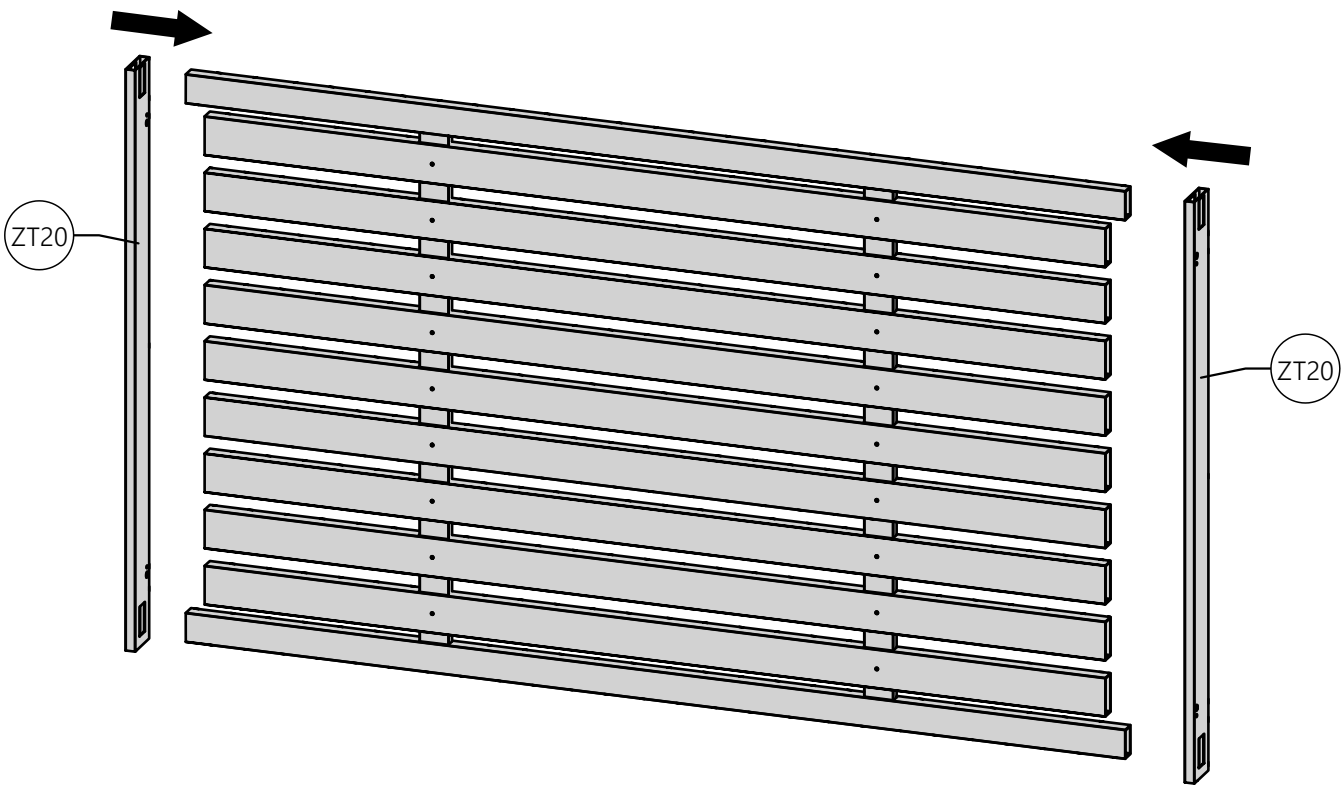
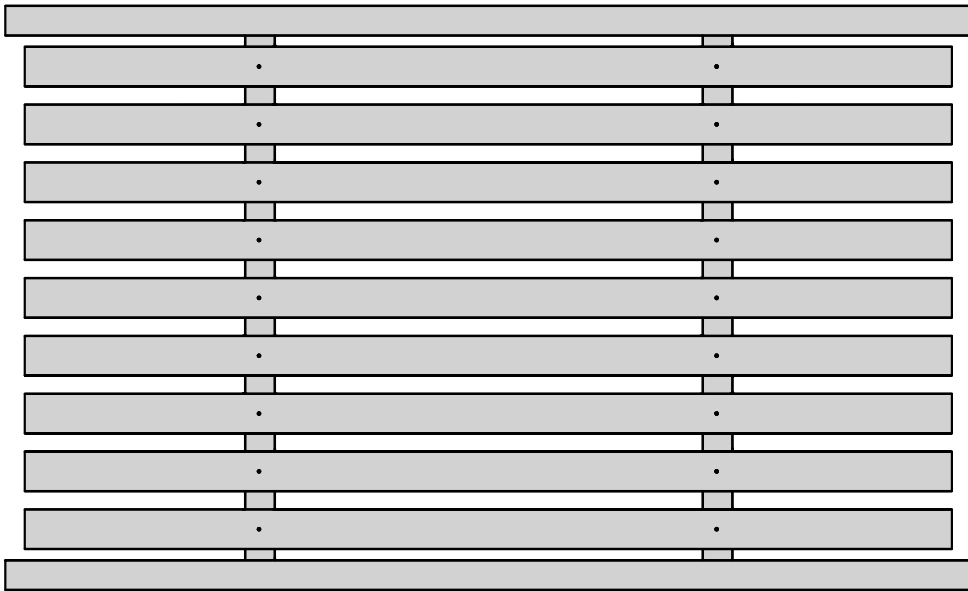
6

A

B

C



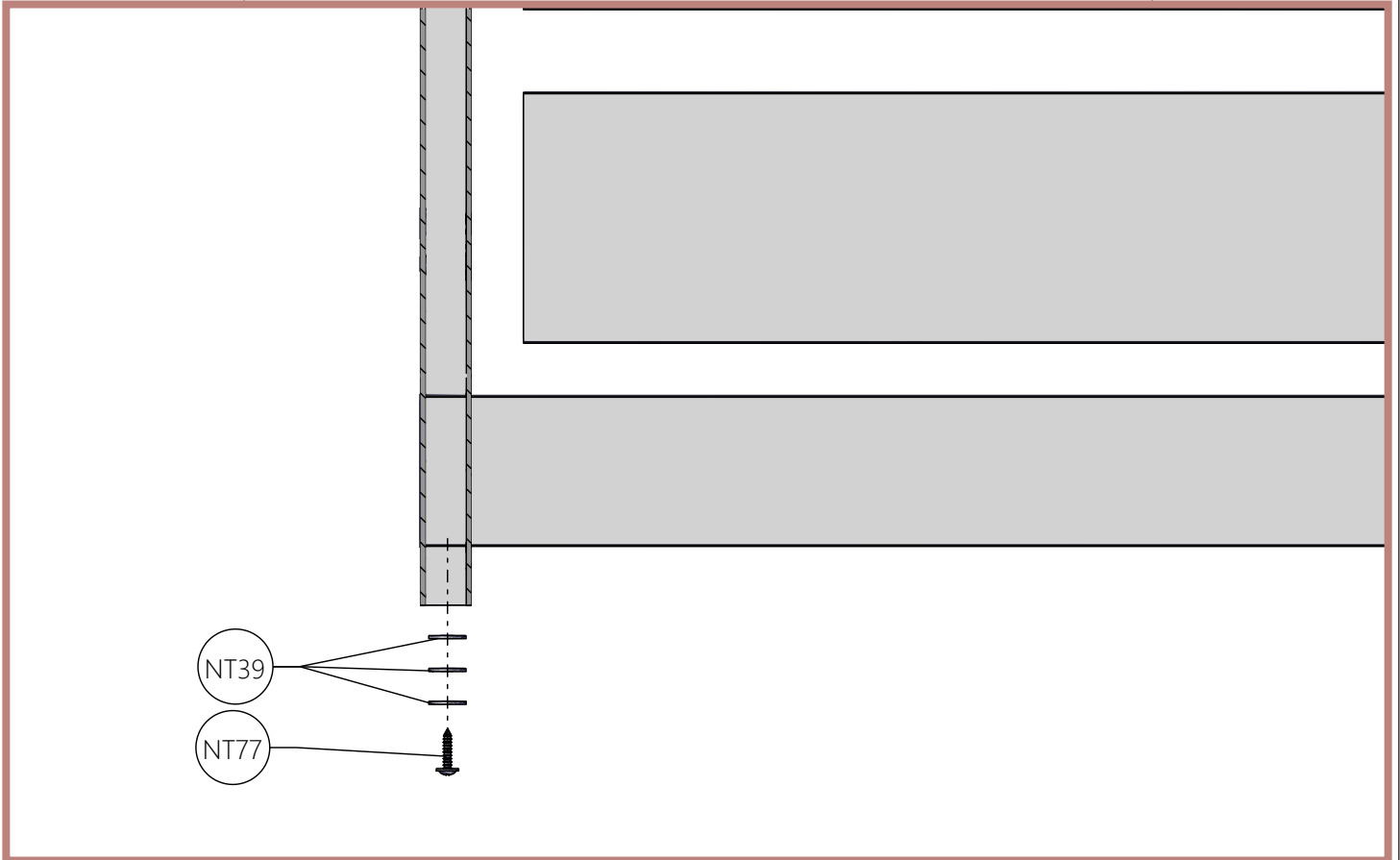
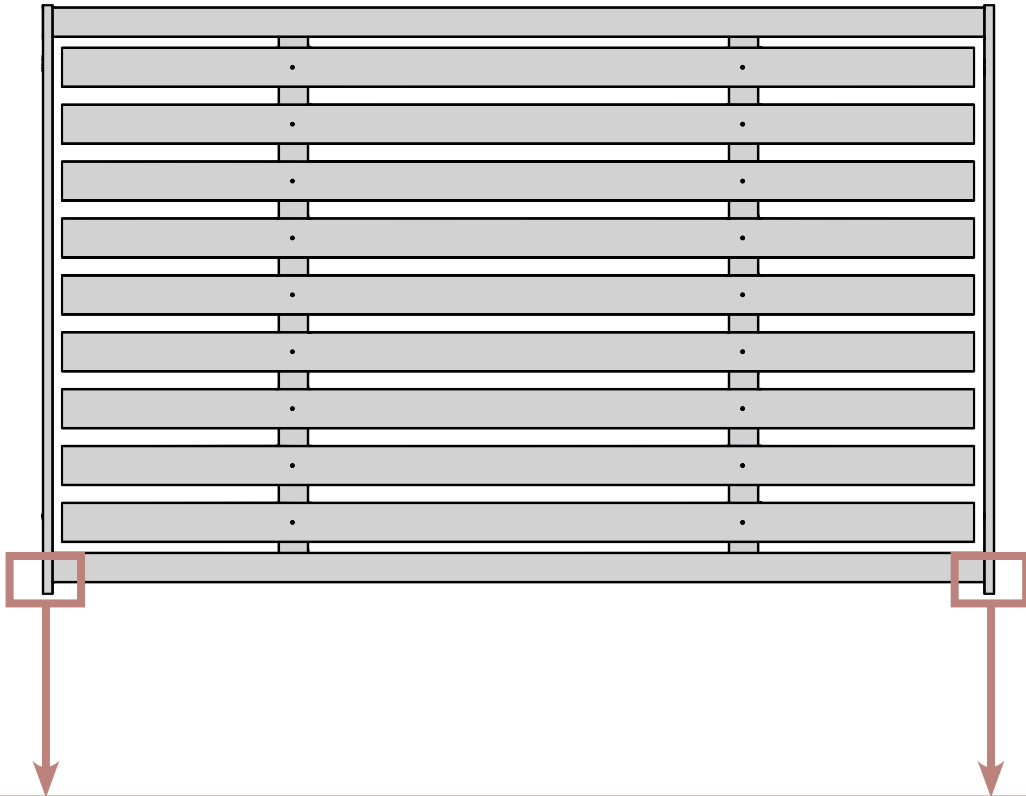
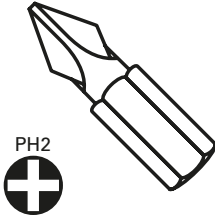


8

A

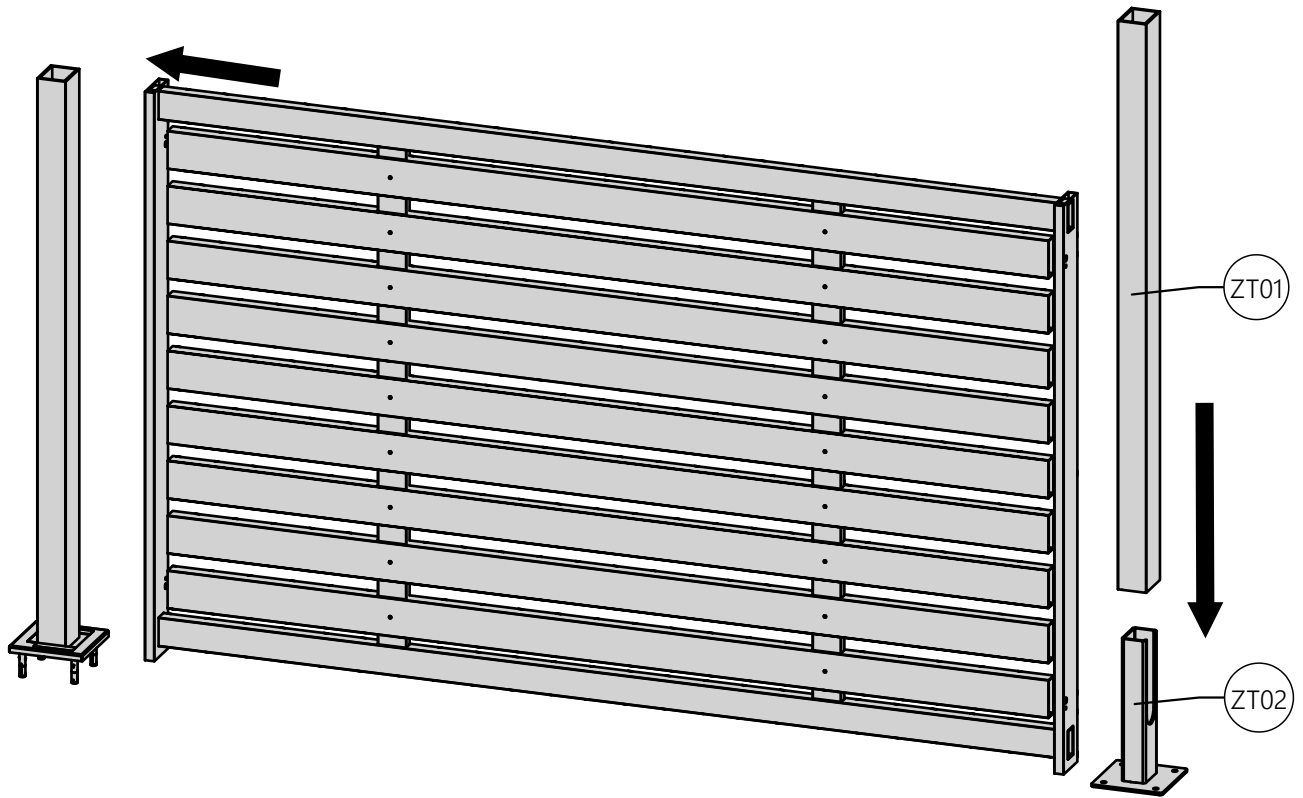
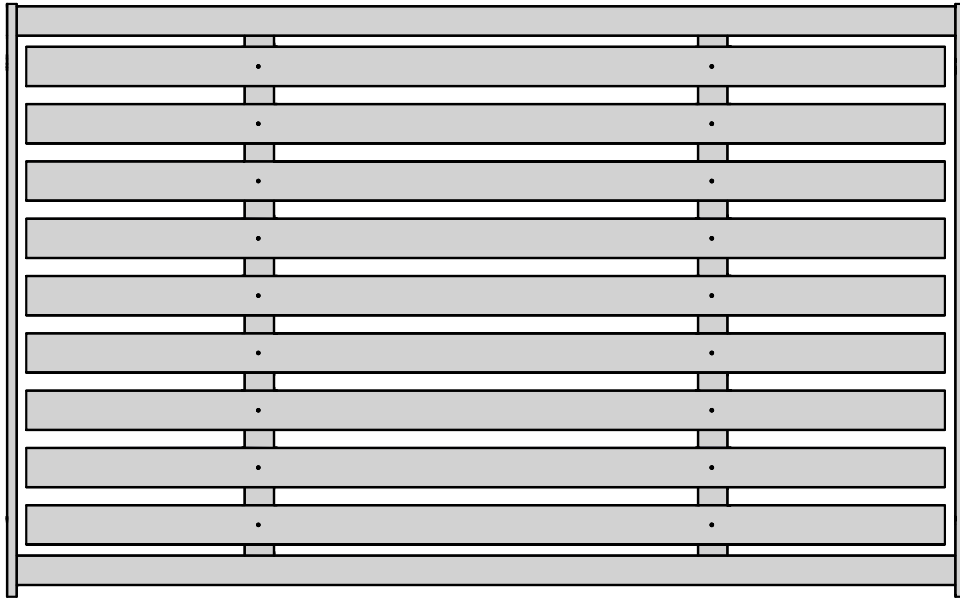
B

C



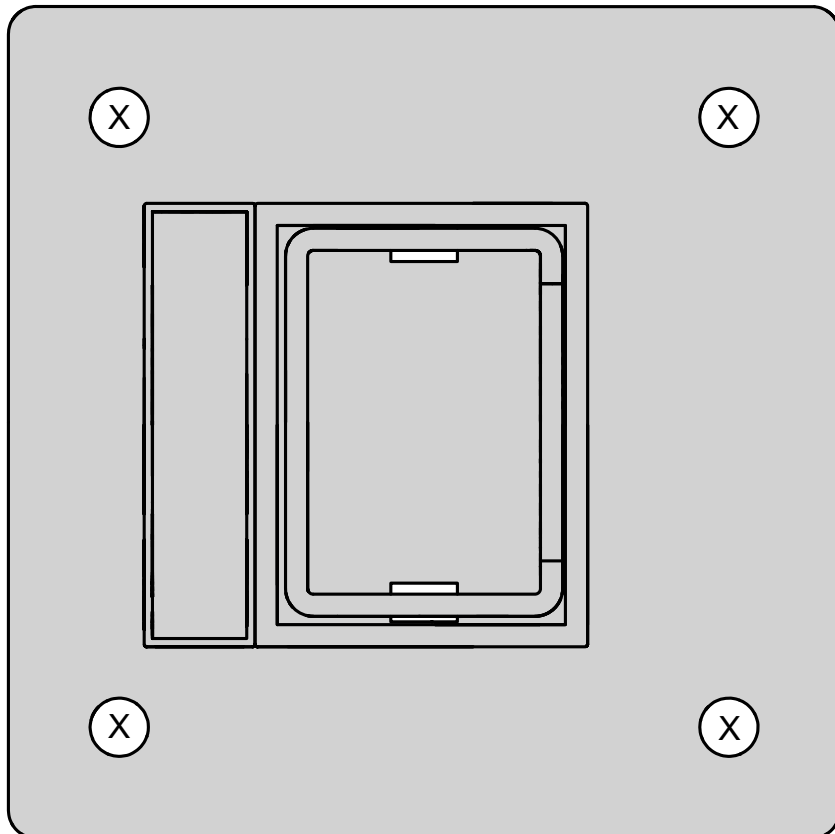
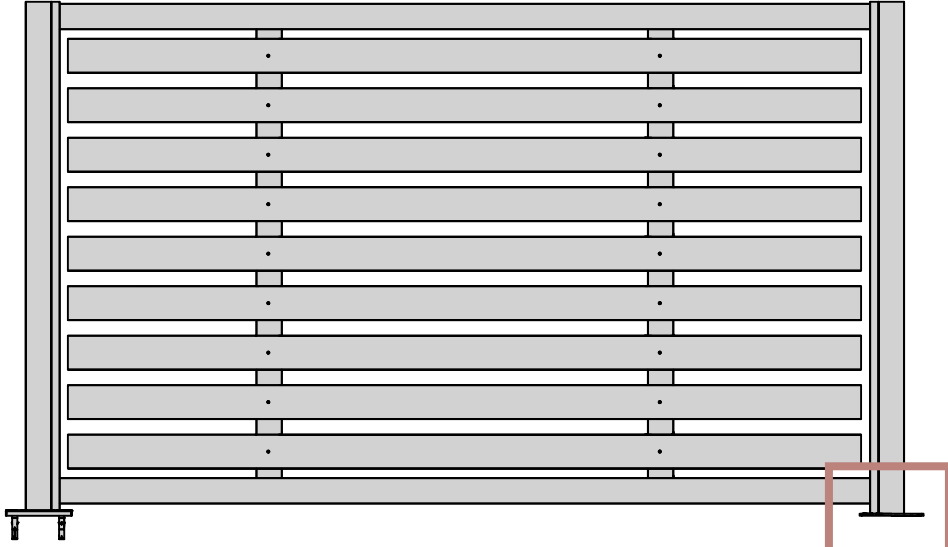
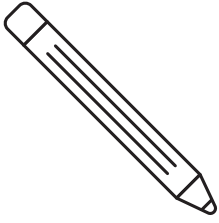
NT39

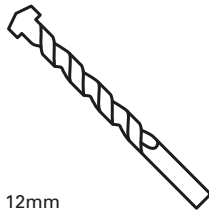
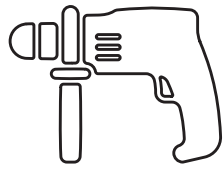
NT77



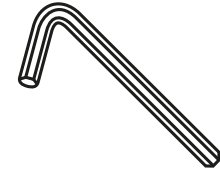
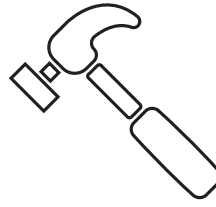
10

A





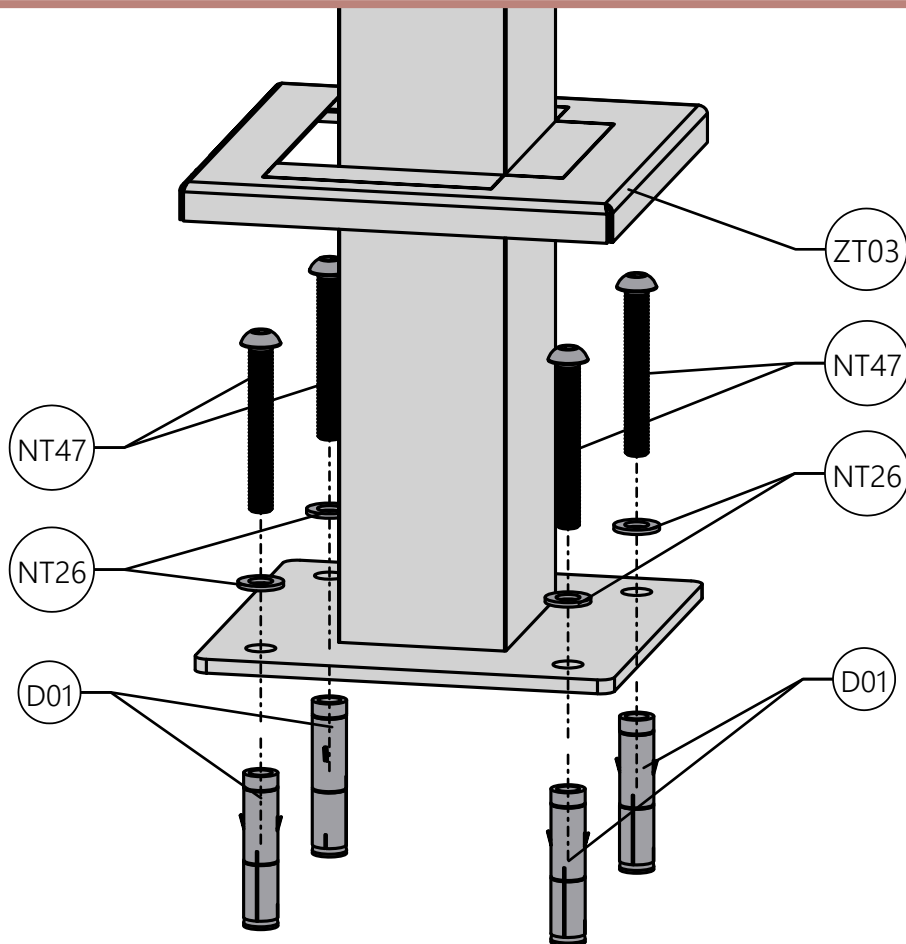
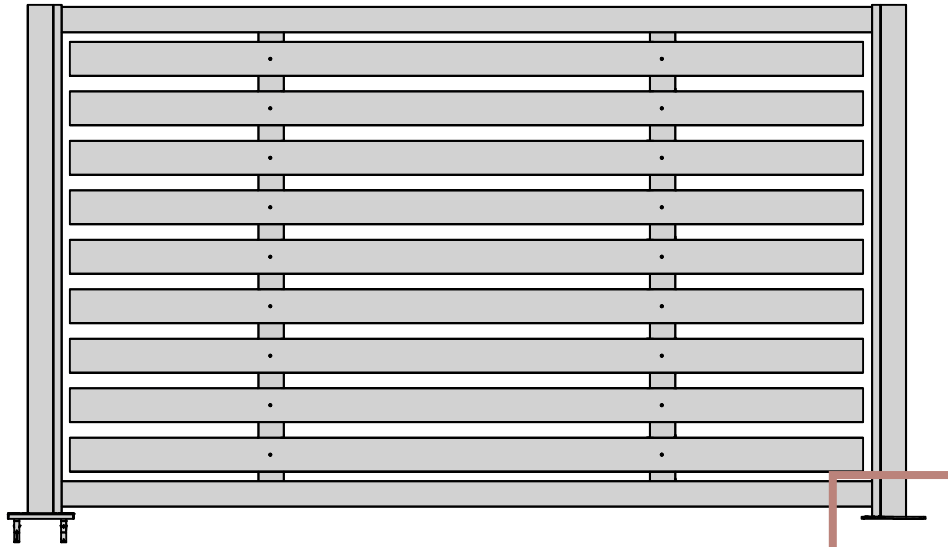
12mm



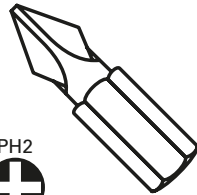
5mm

11

A

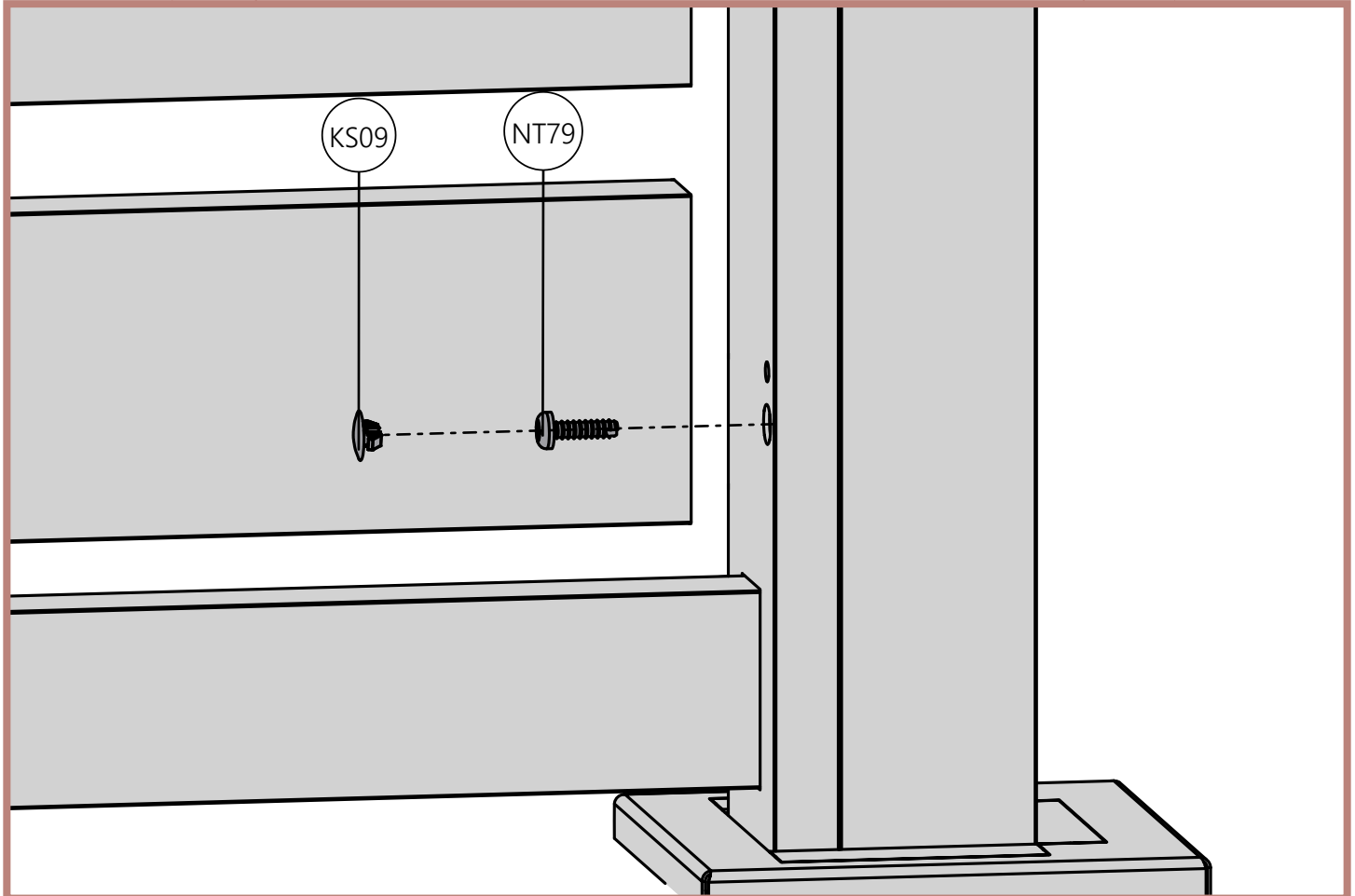
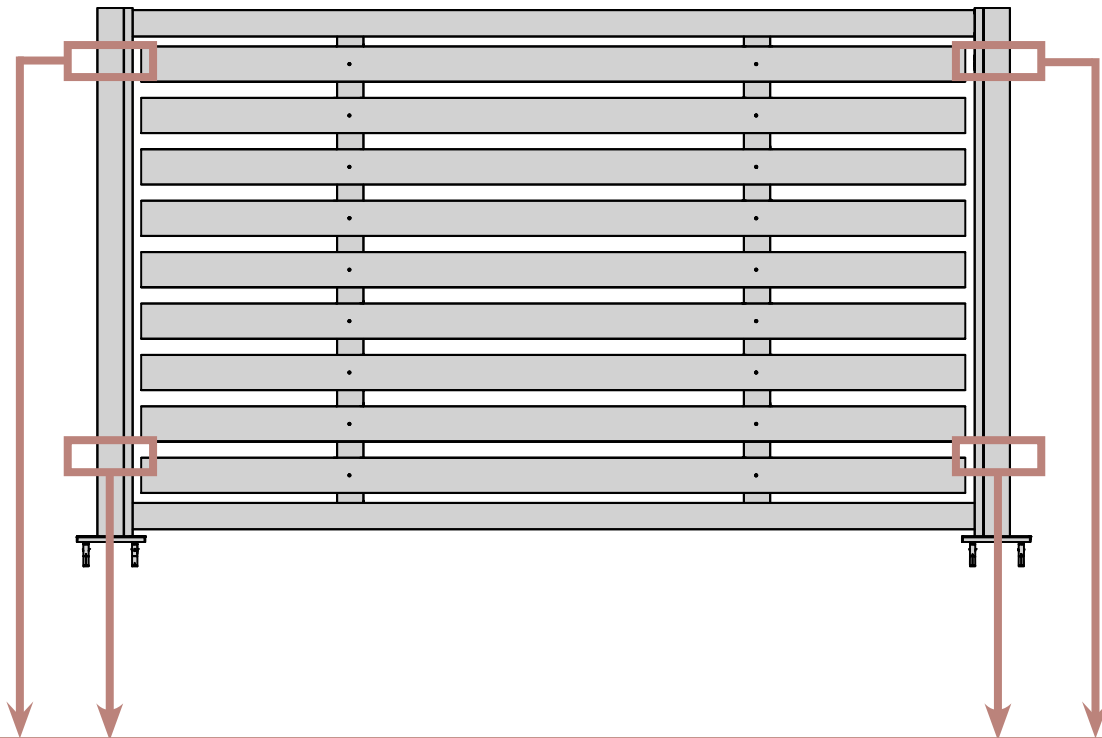


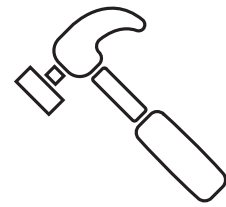
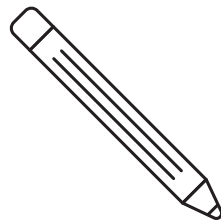
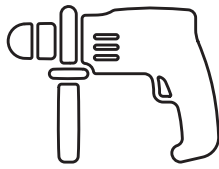
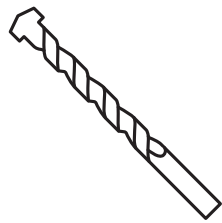
12



A

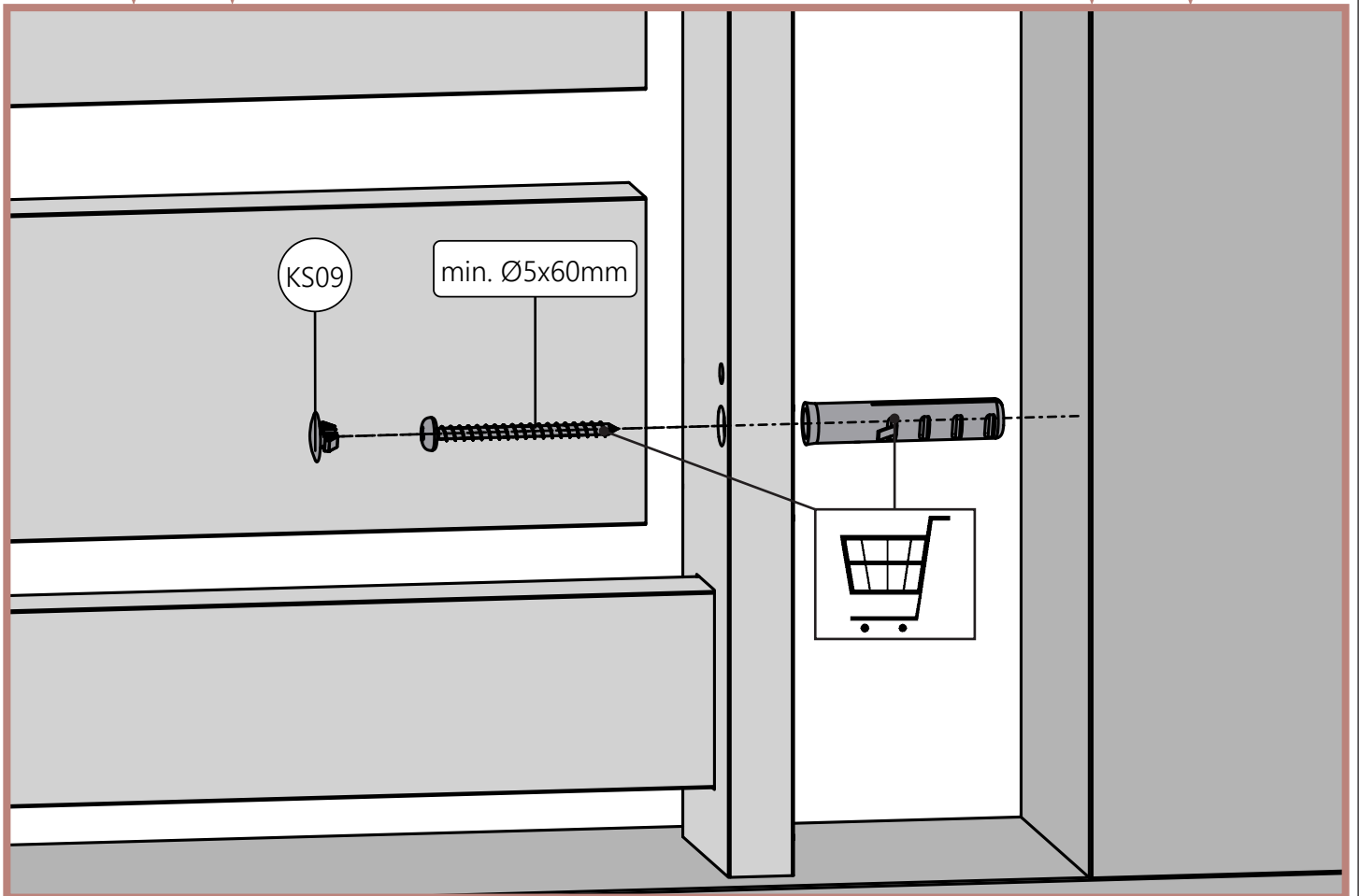
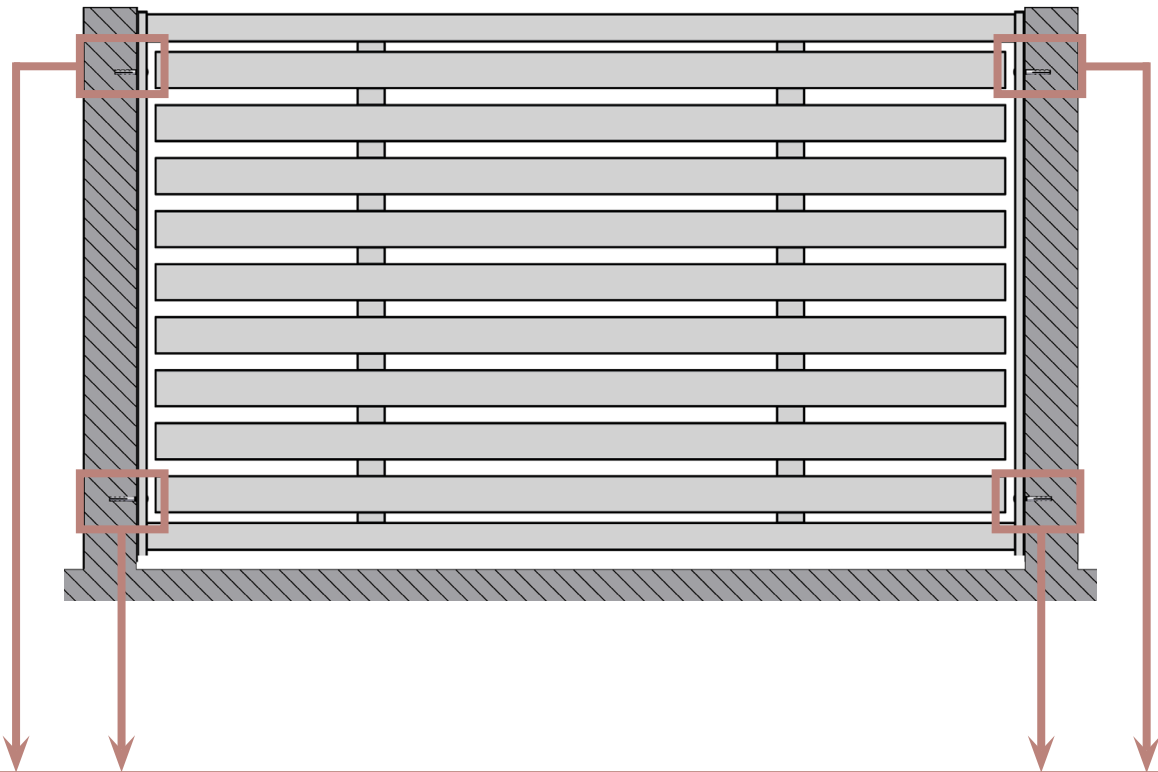
B



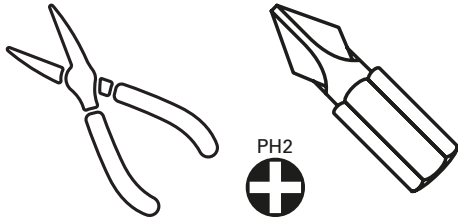


13

C



14



A

B

