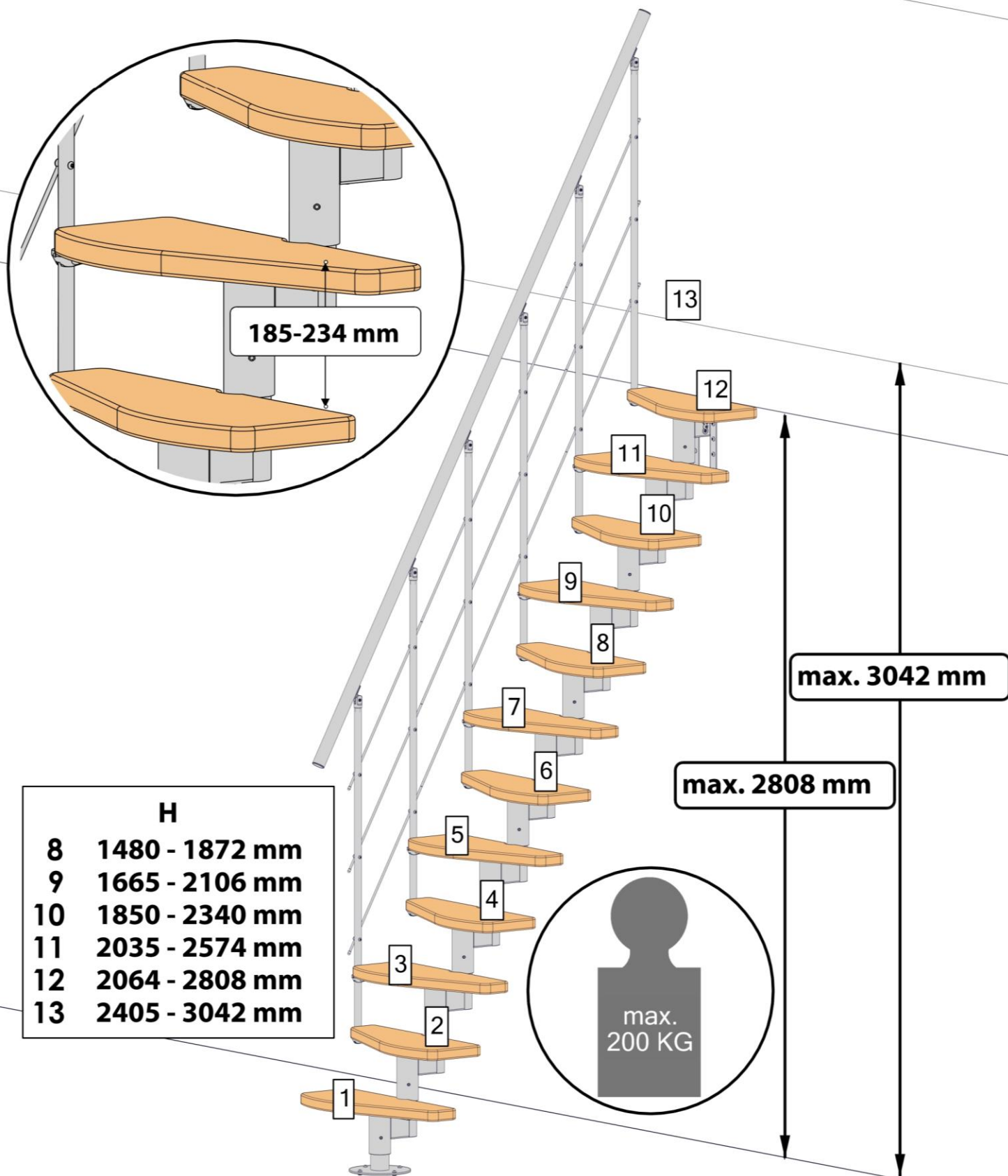


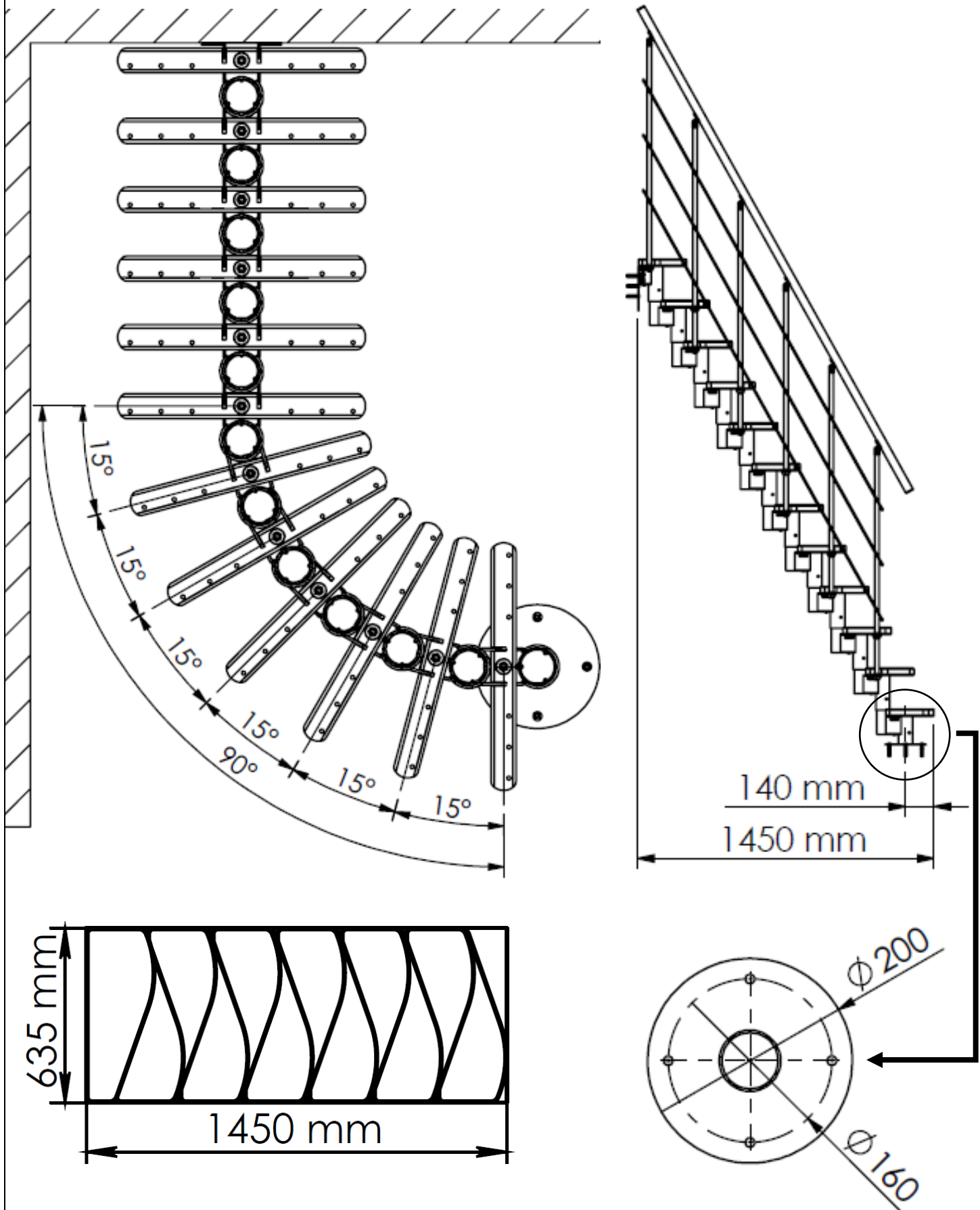
# EB-10031-02

## NIZZA



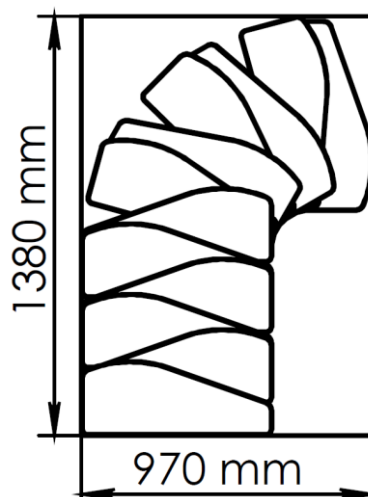
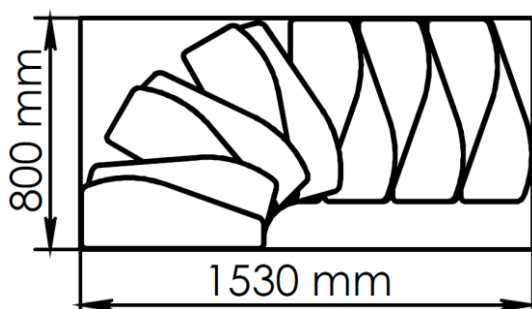
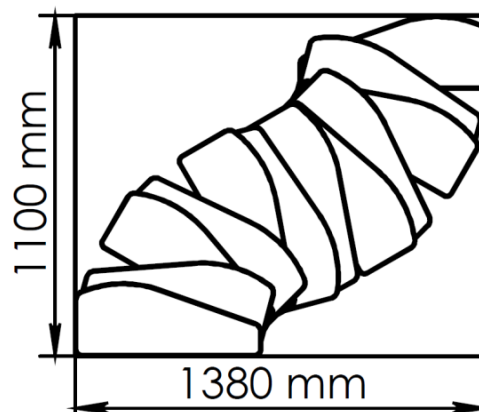
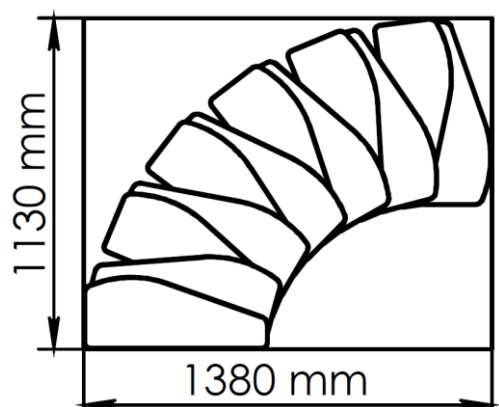
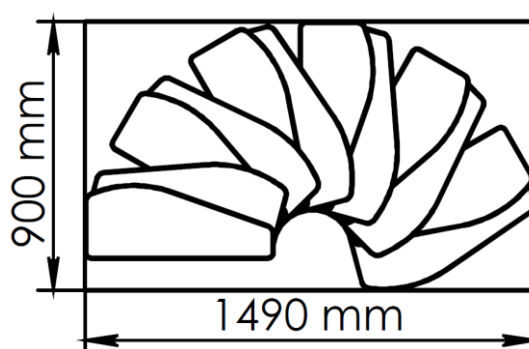
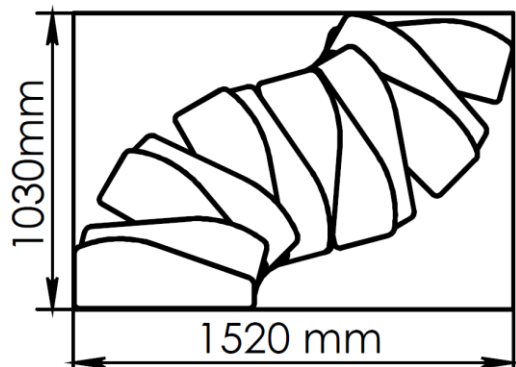
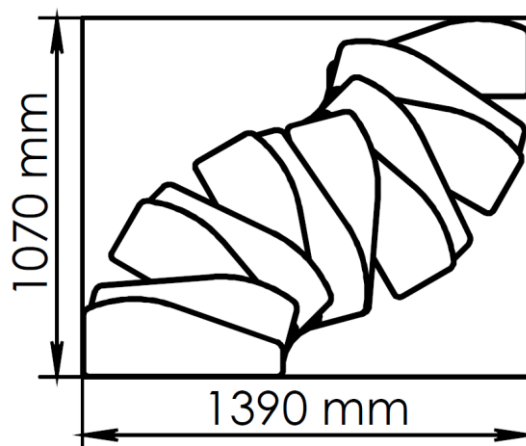
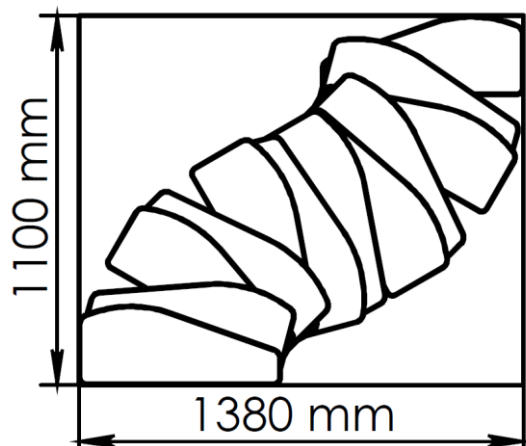
EB-10031-02

NIZZA



# EB-10031-02

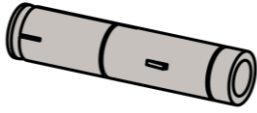
## NIZZA



# EB-10031-02

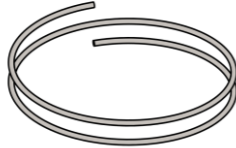
## NIZZA

10 x



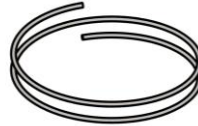
D01 M8x55 mm

1 x



G03 Ø40x3.5x4000mm

3 x



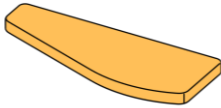
G15 Ø6x1x4000mm

10 x



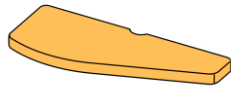
GS30 Ø22x1x1100mm

1 x



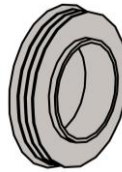
HS06

11 x



HS07

10 x



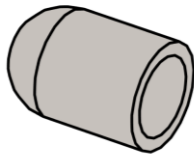
KS01 Ø22mm

2 x



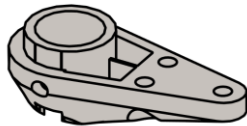
KS02 Ø40mm

6 x



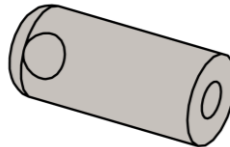
KS05 Ø8mm

20 x



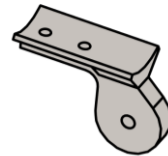
KS18

30 x



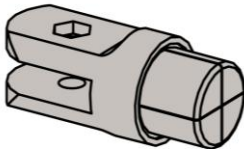
KS19 Ø12.5x28mm

10 x



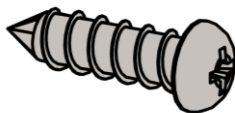
KS20

10 x



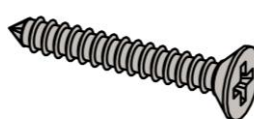
KS21

72 x



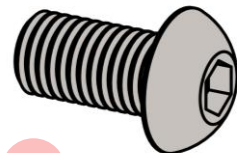
NT06 Ø5x30mm

30 x



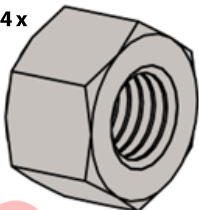
NT11 Ø4x25mm

4 x



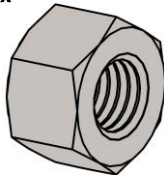
NT18 M10x20mm ISO7380

4 x



NT22 M10

12 x



NT24 M8

8 x



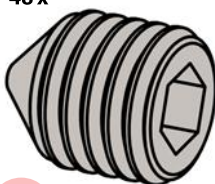
NT25 M10 DIN125A

10 x



NT26 M8 DIN125A

48 x



NT32 M10x8mm DIN914

12 x



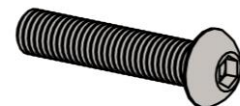
NT35 M8x80mm ISO8677

12 x



NT37 M8 DIN9021

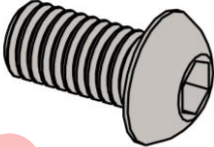
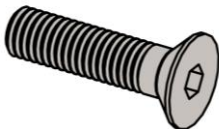
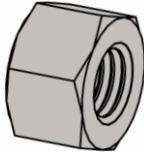

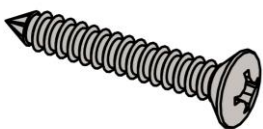
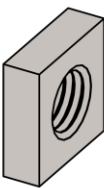


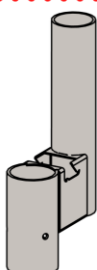
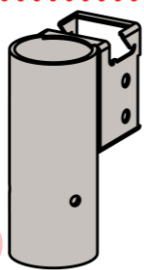
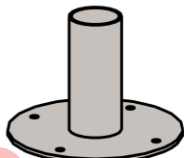
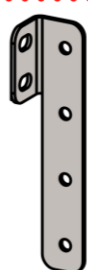
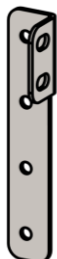
10 x

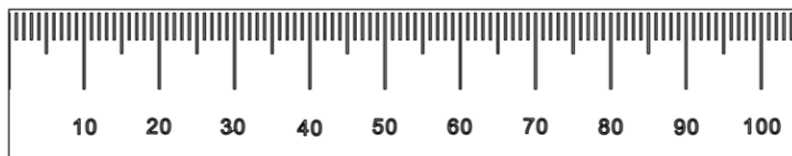
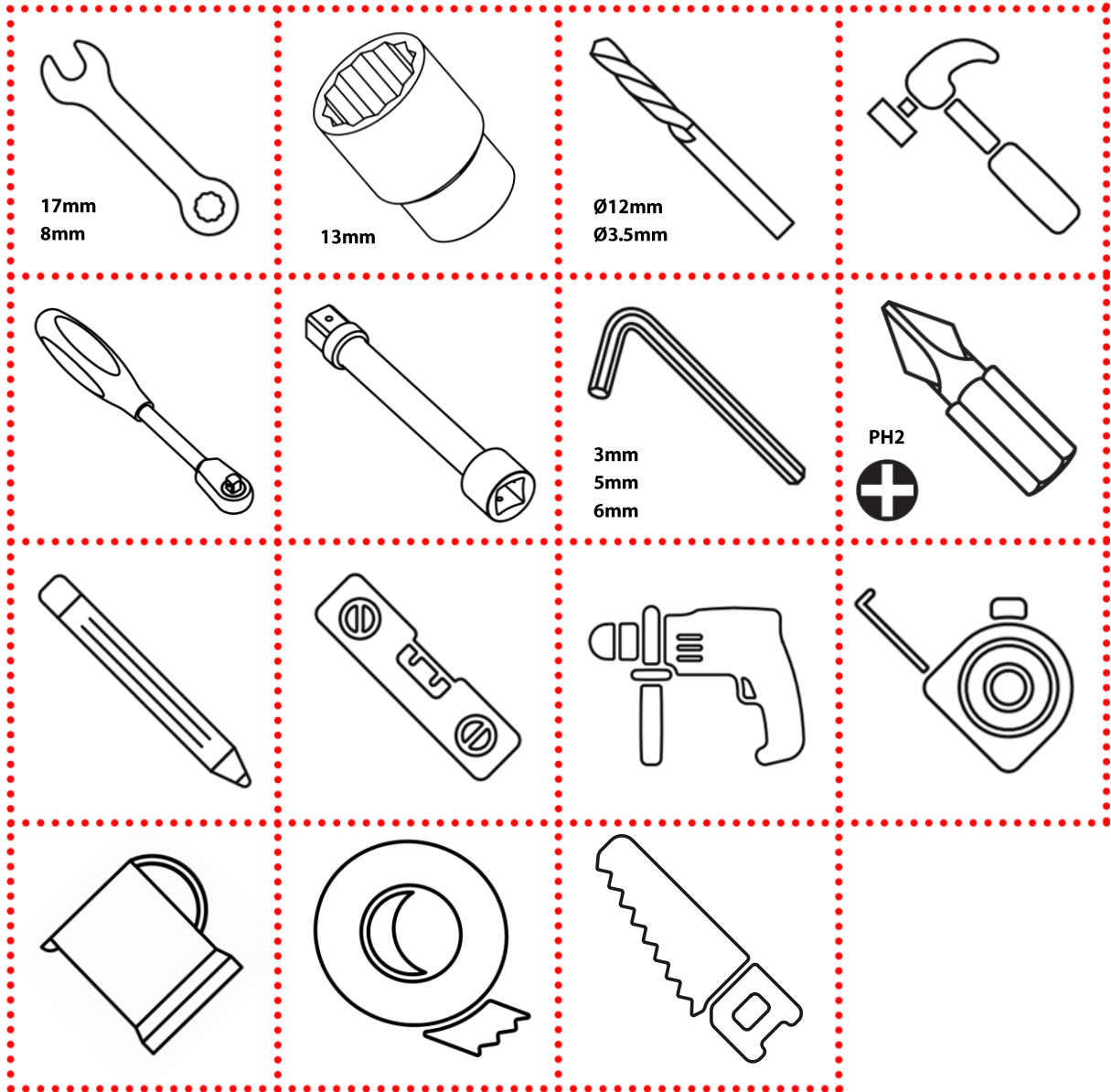


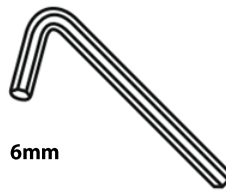
NT47 M8x60mm ISO7380-1

# EB-10031-02

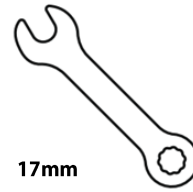
## NIZZA

<p>30 x</p>  <p>NT55 M6x14mm</p>	<p>10 x</p>  <p>NT56 M5x20mm</p>	<p>10 x</p>  <p>NT57 M5</p>	<p>20 x</p>  <p>NT78 M6x6mm</p>
<p>60 x</p>  <p>NT80 Ø5x40mm</p>	<p>20 x</p>  <p>NT81 M6 DIN562</p>	<p>10 x</p>  <p>ST31</p>	<p>12 x</p>  <p>ST32</p>
<p>1 x</p>  <p>ST33</p>	<p>1 x</p>  <p>ST34</p>	<p>1 x</p>  <p>ST35</p>	<p>1 x</p>  <p>ST166a</p>
<p>1 x</p>  <p>ST166b</p>			

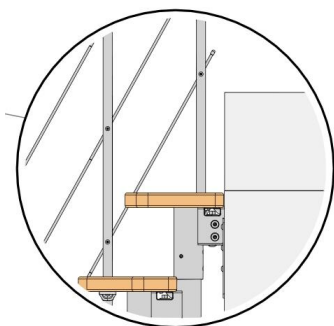
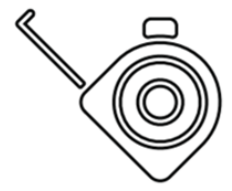
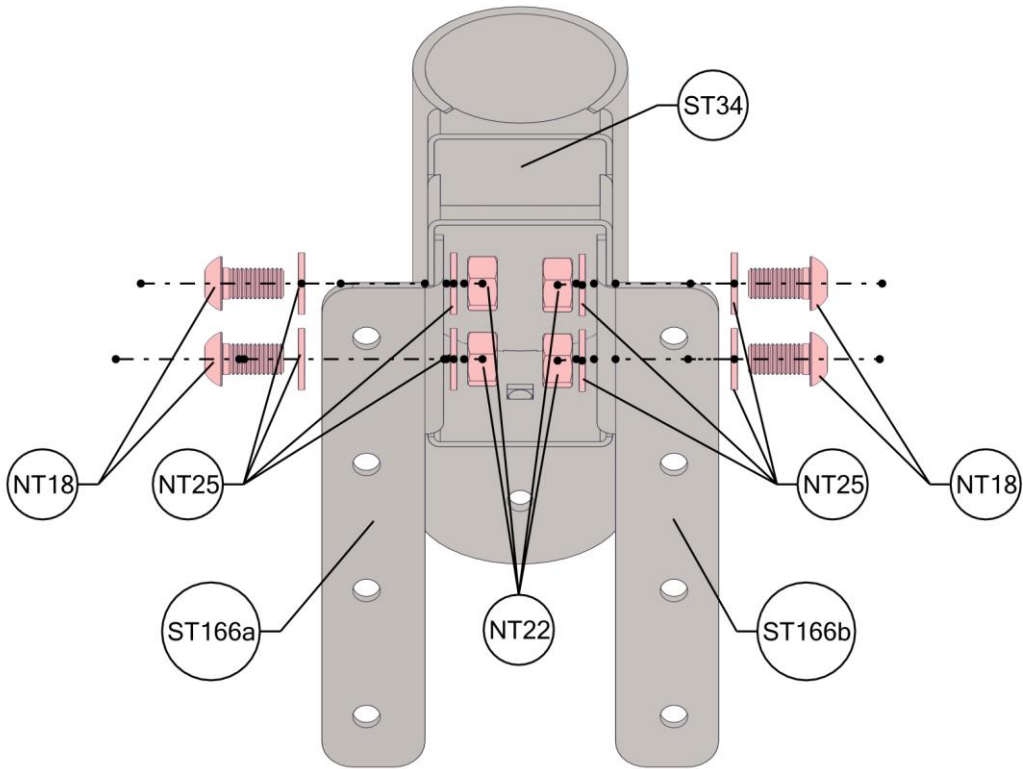
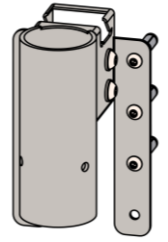
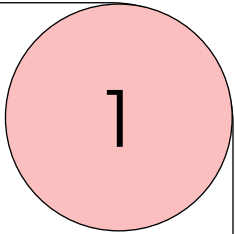




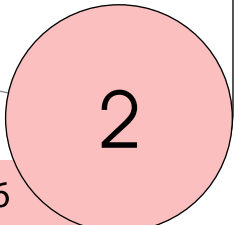
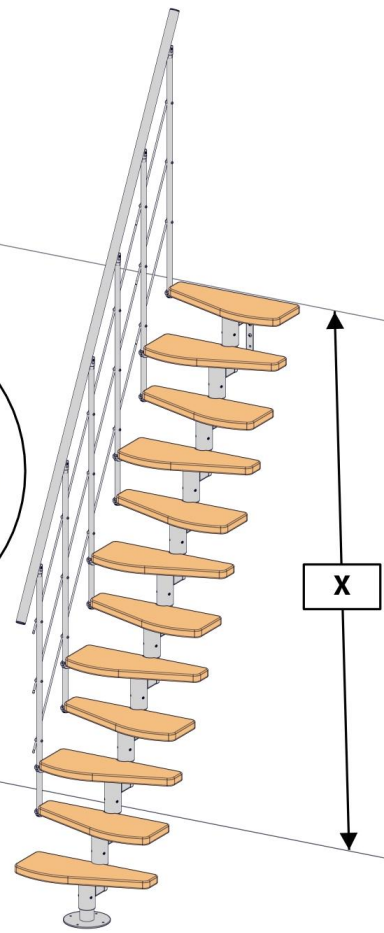
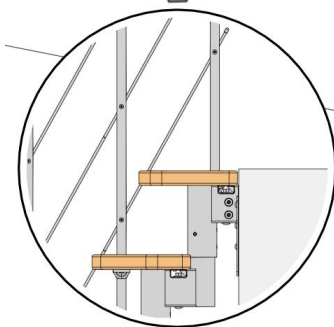
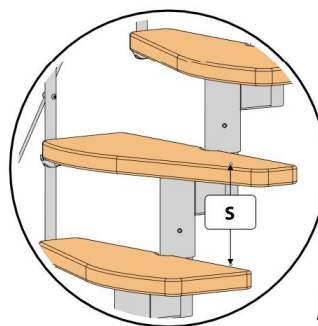
6mm



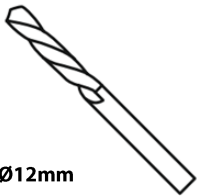
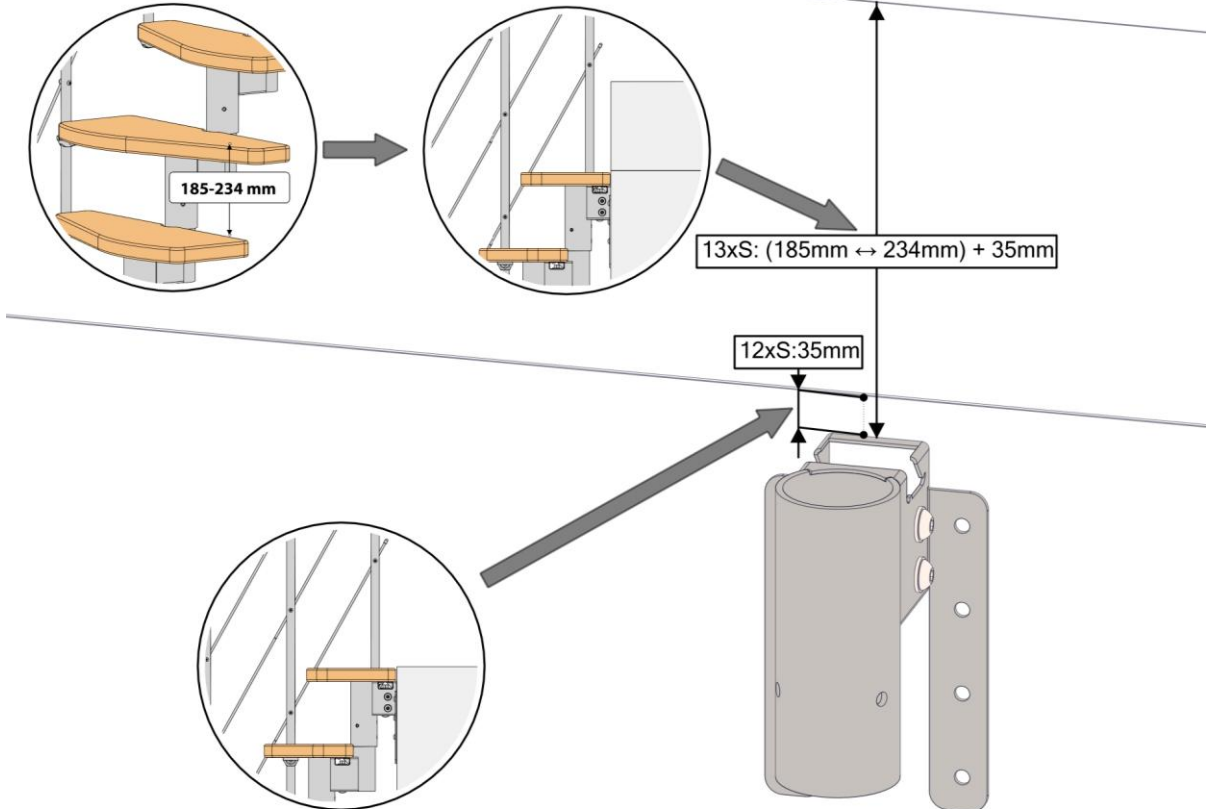
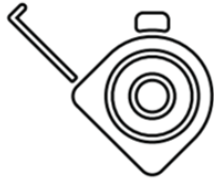
17mm



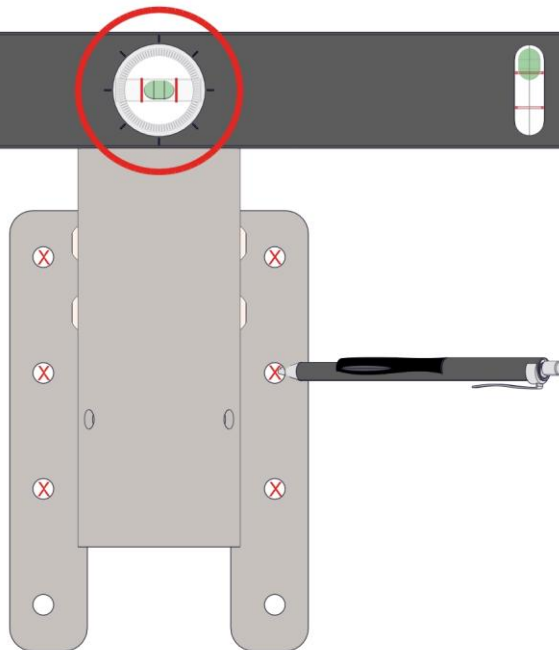
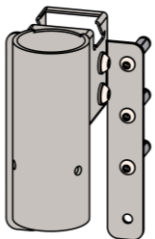
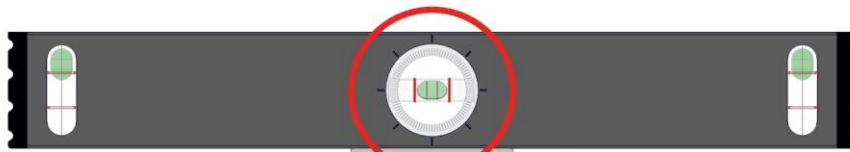
$$X/13 = S$$
$$X/12 = S$$



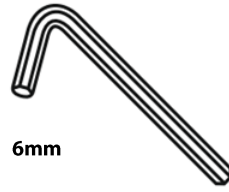
3



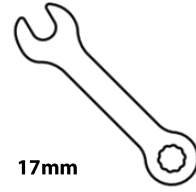
Ø12mm



4

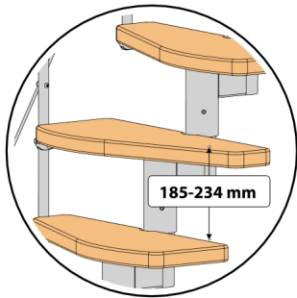
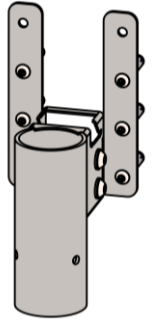
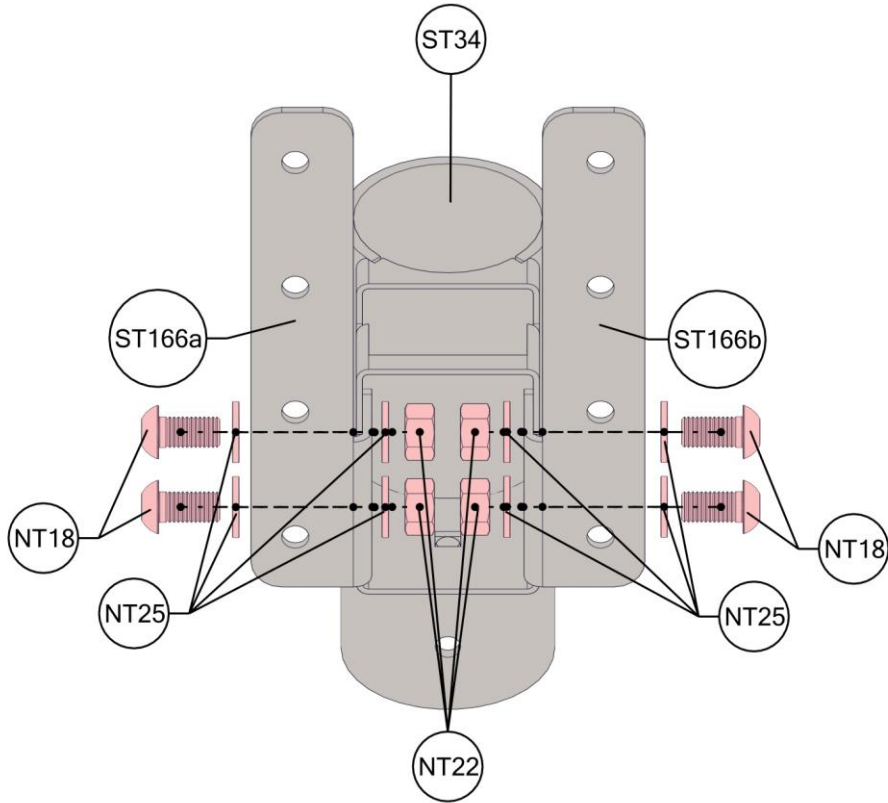


6mm

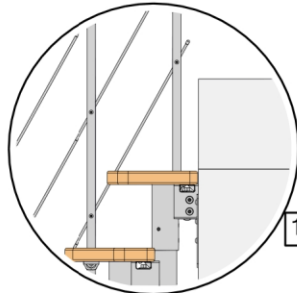


17mm

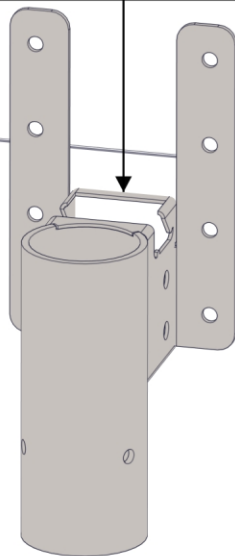
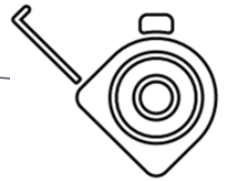
5



185-234 mm



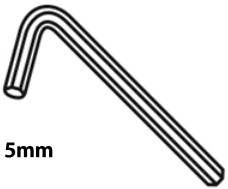
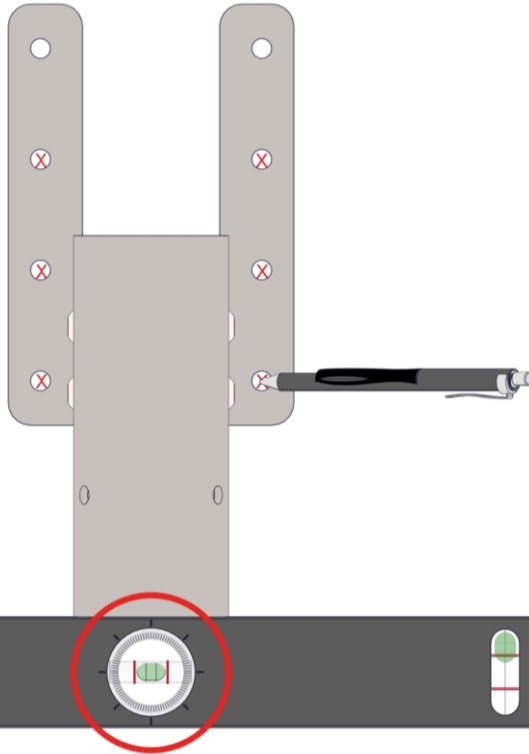
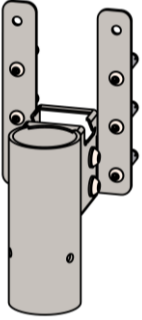
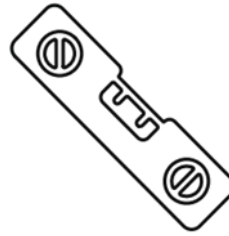
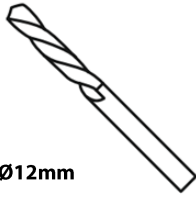
13xS: (185mm ↔ 234mm) + 35mm



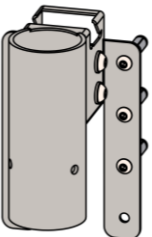
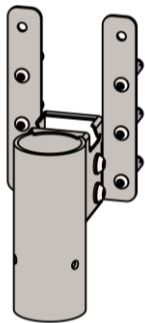
6

7

Ø12mm



5mm



D01

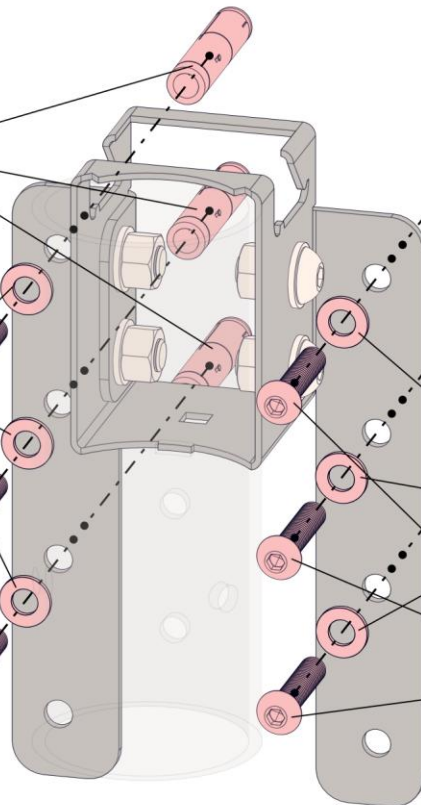
D01

NT26

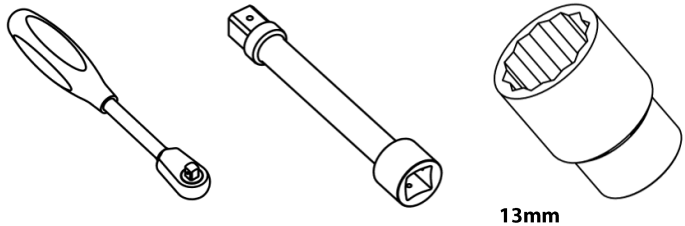
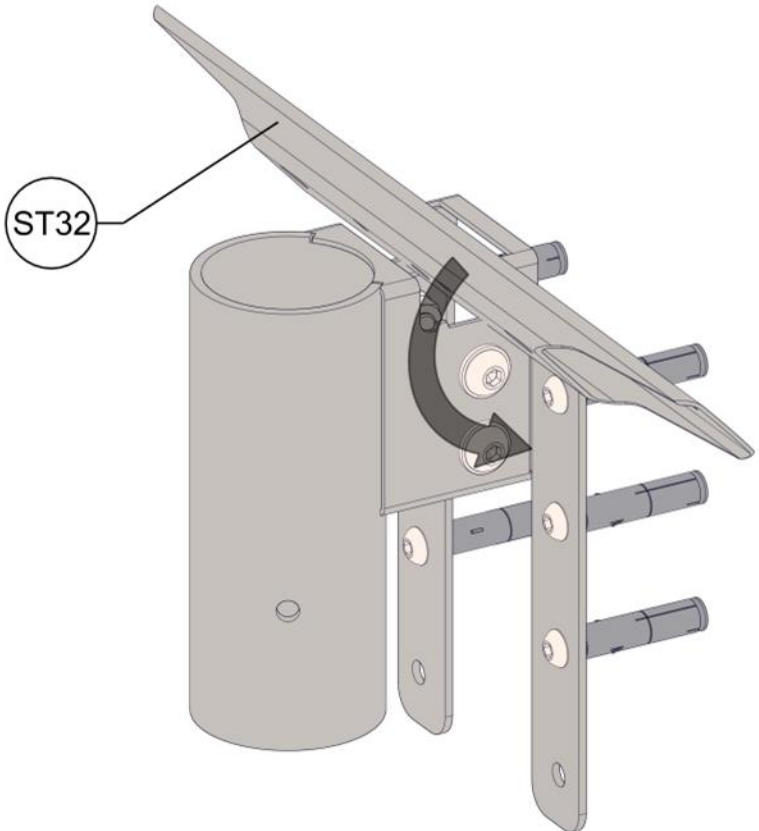
NT26

NT47

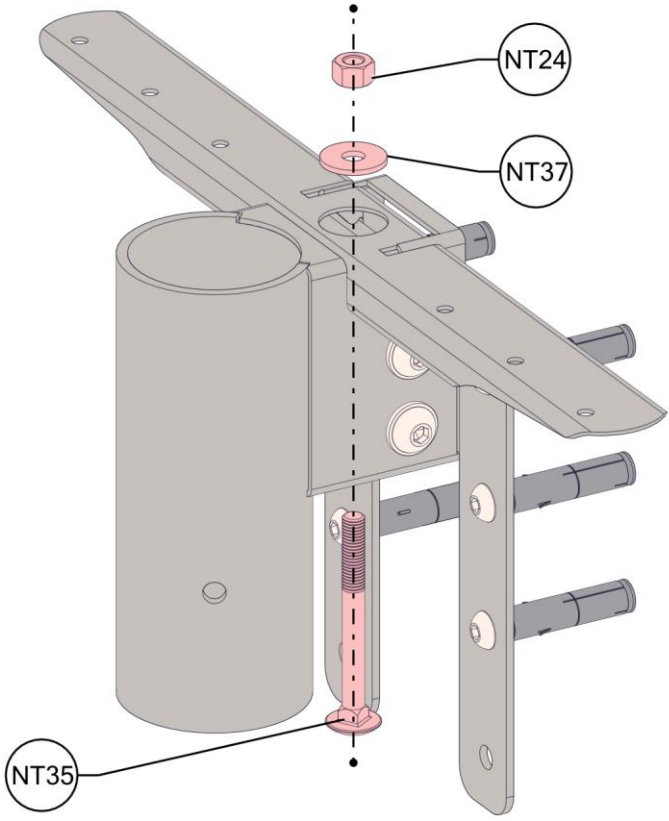
NT47



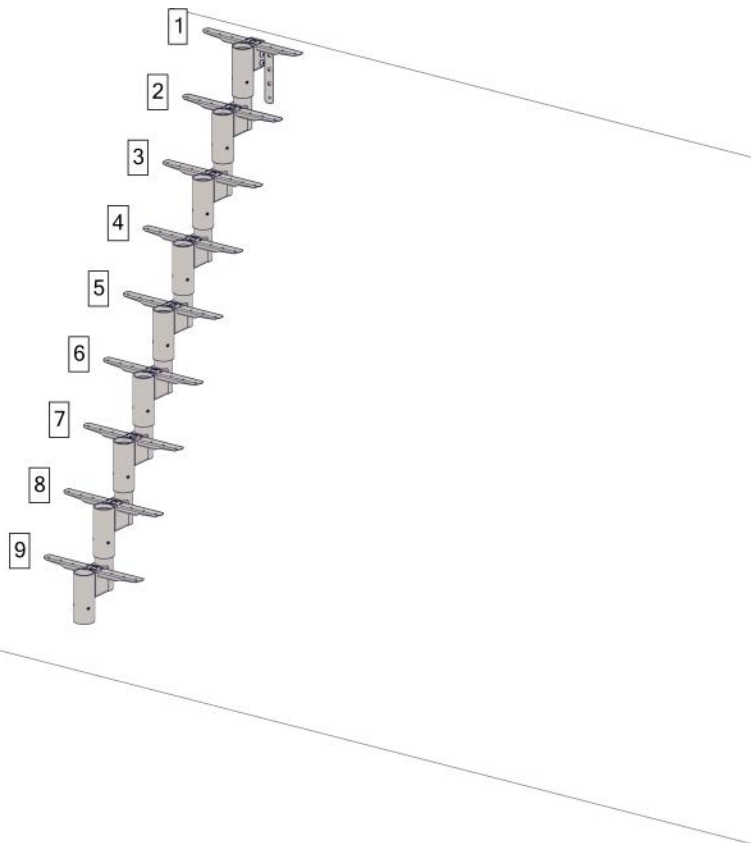
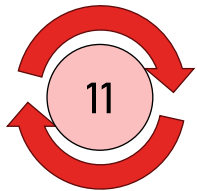
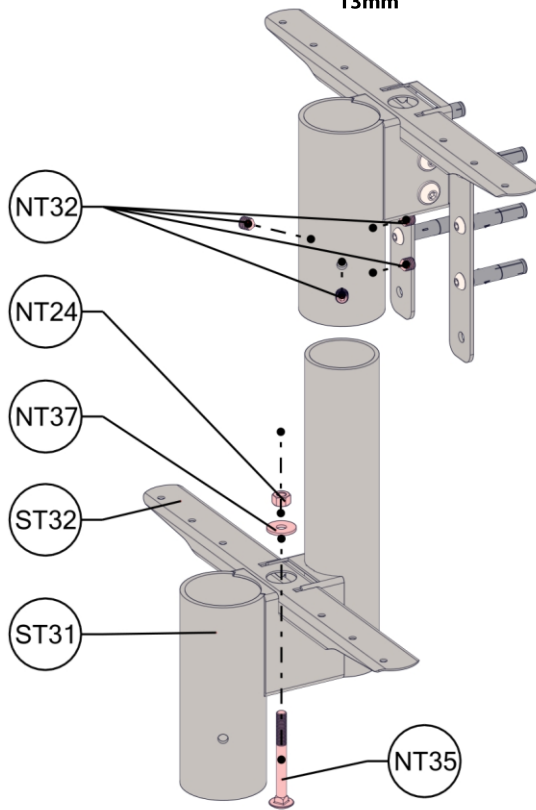
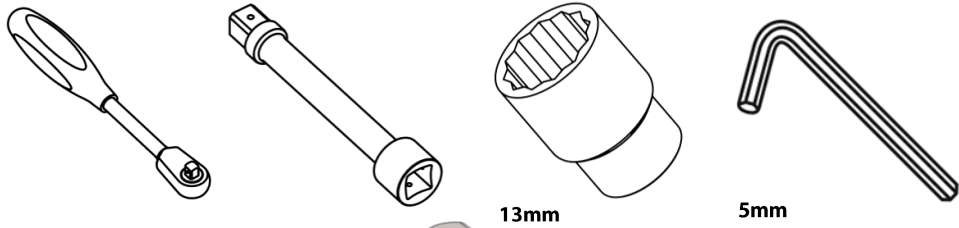
8



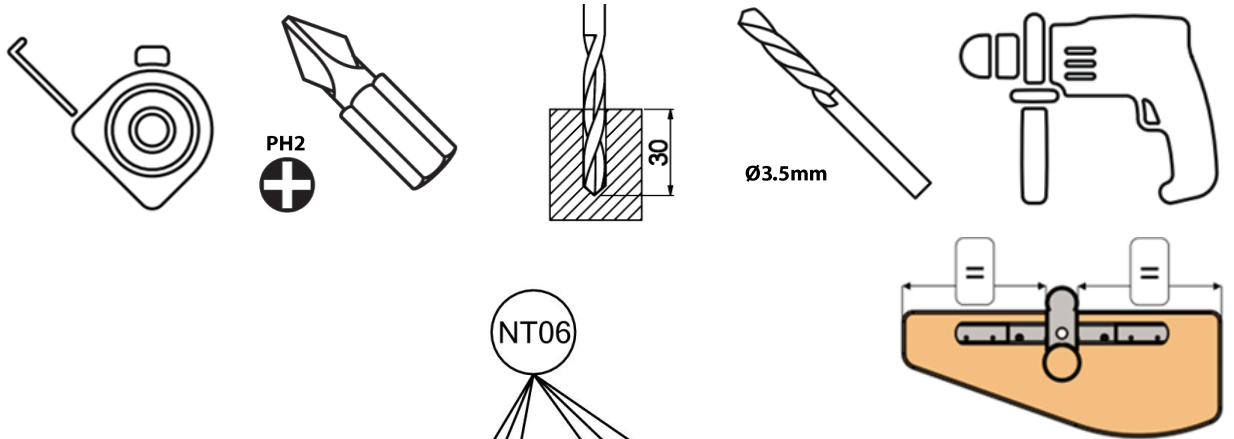
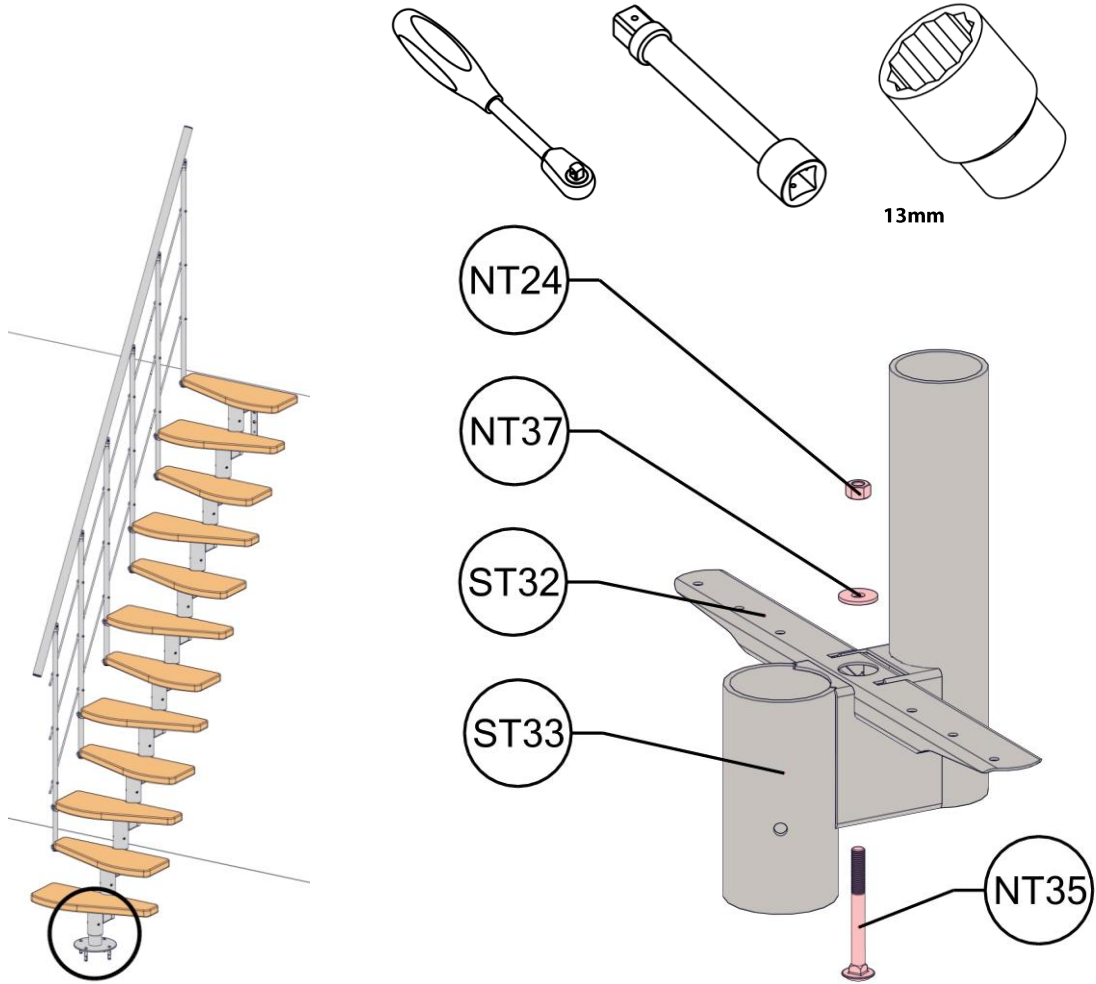
13mm



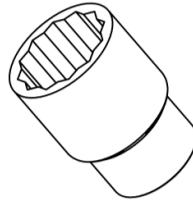
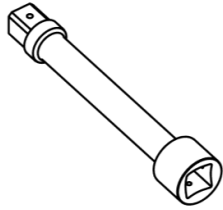
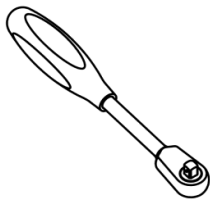
11



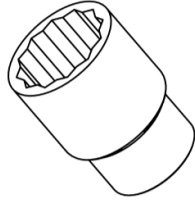
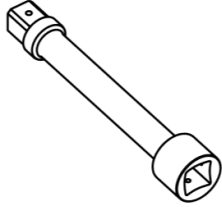
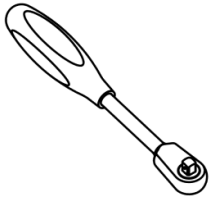
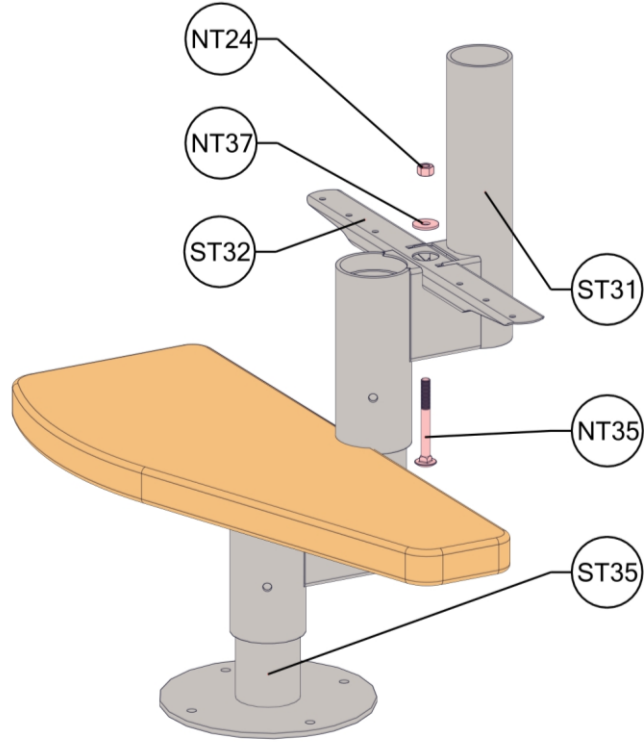
12



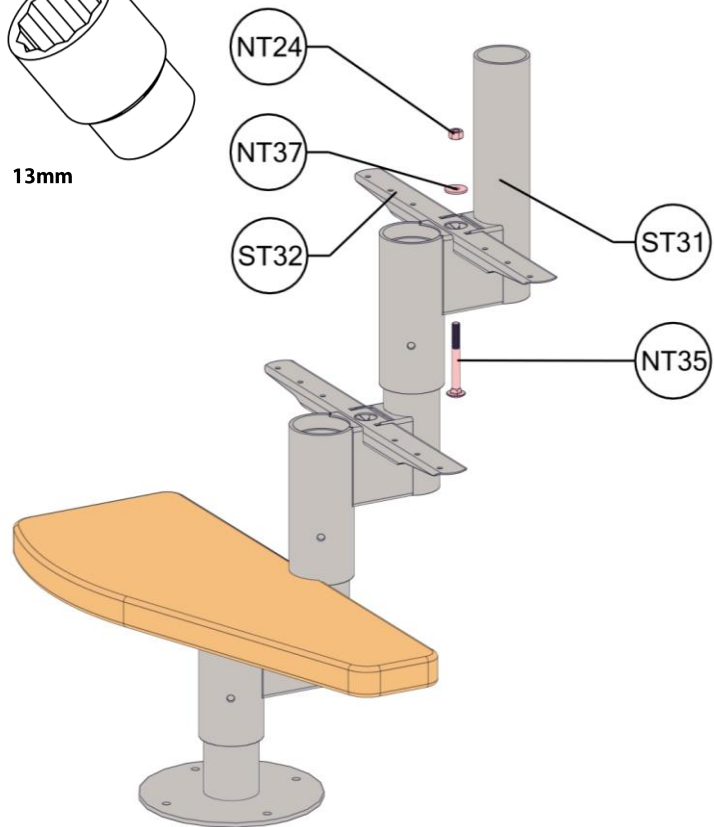
15



13mm

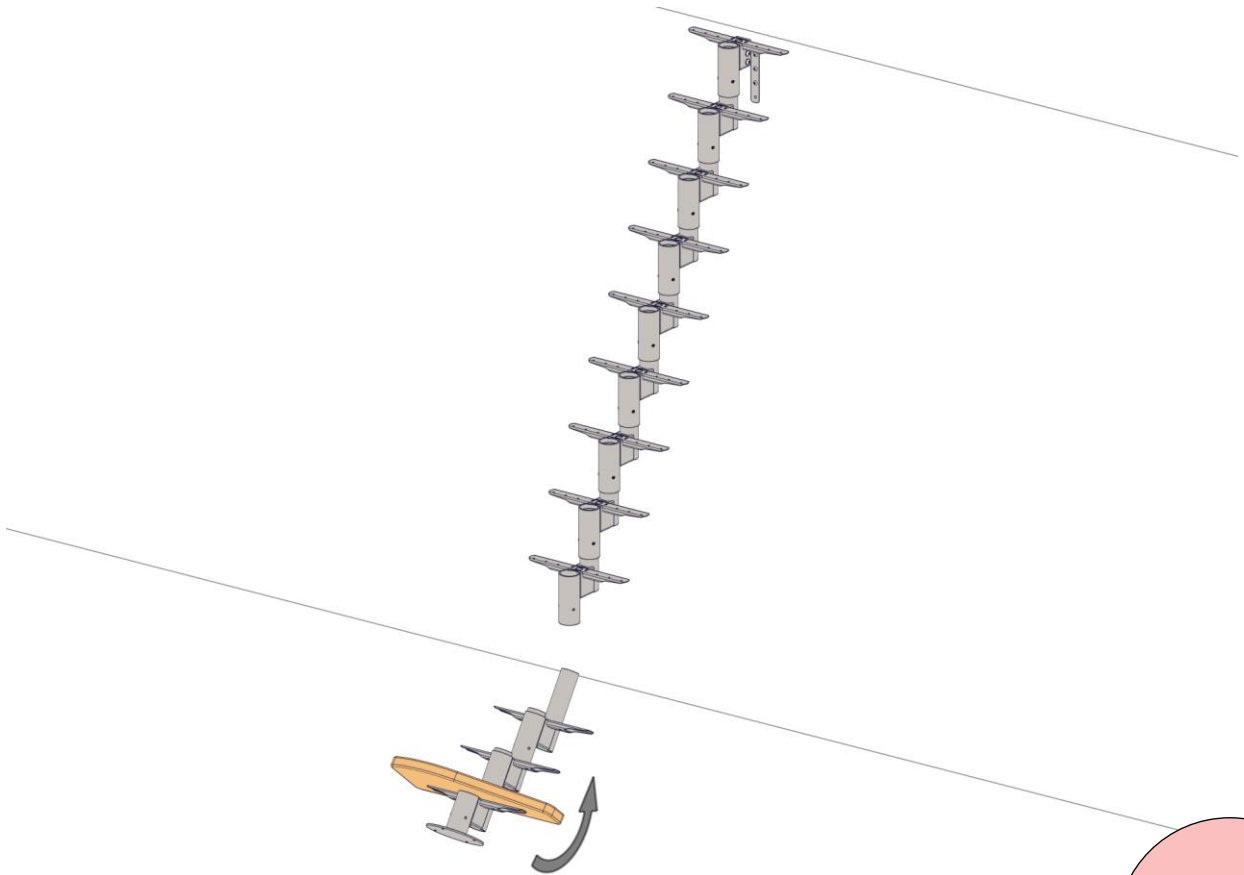
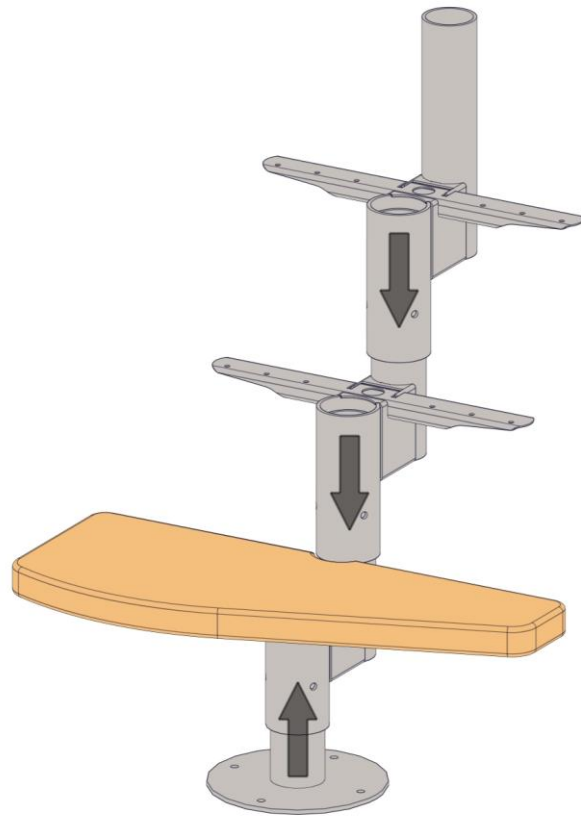


13mm



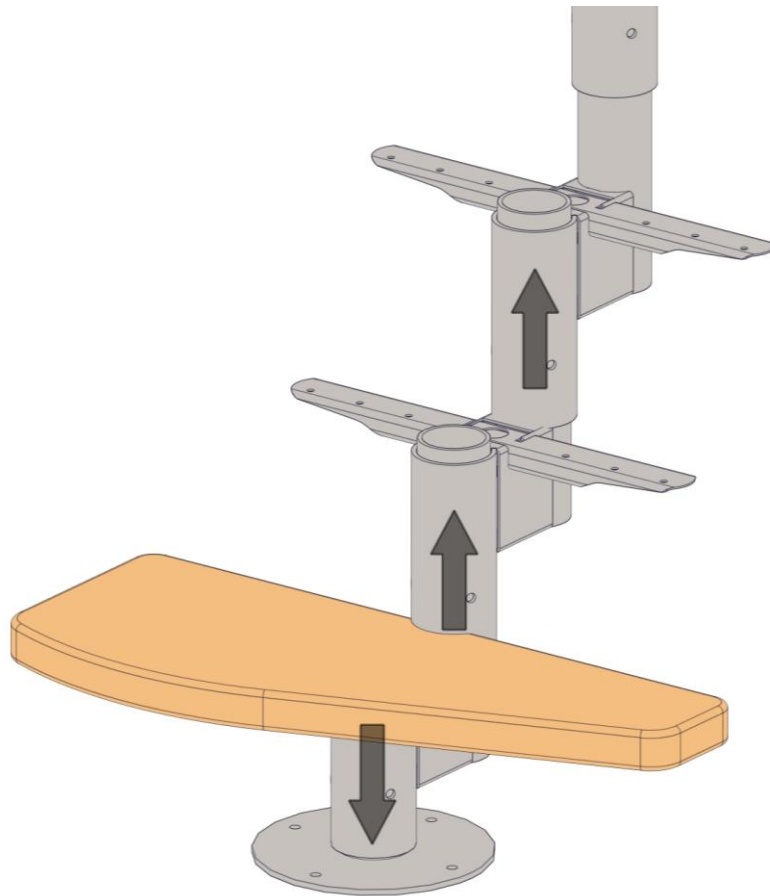
16

17

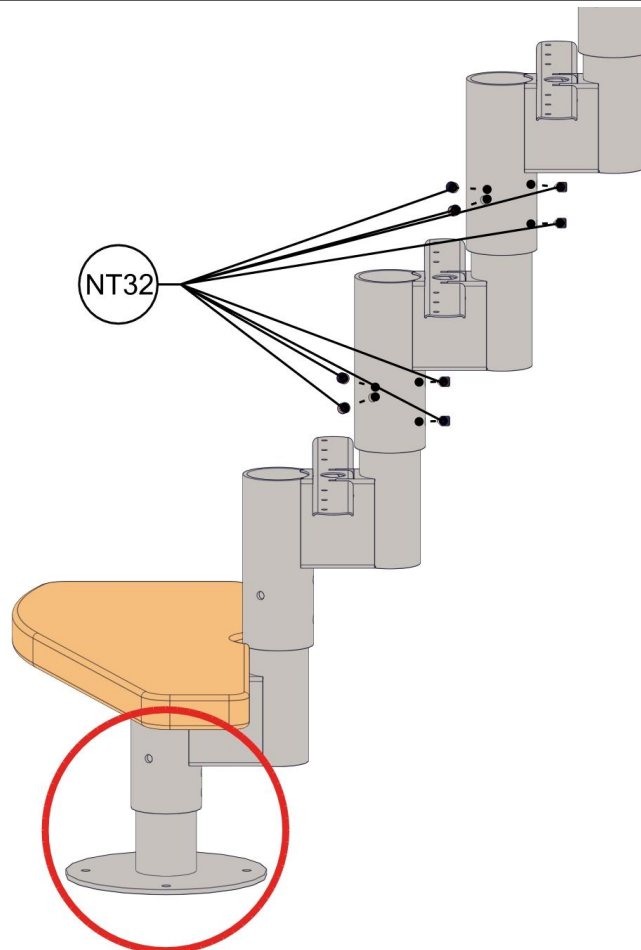


18

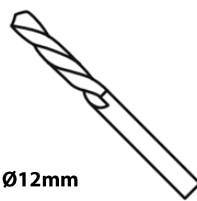
19



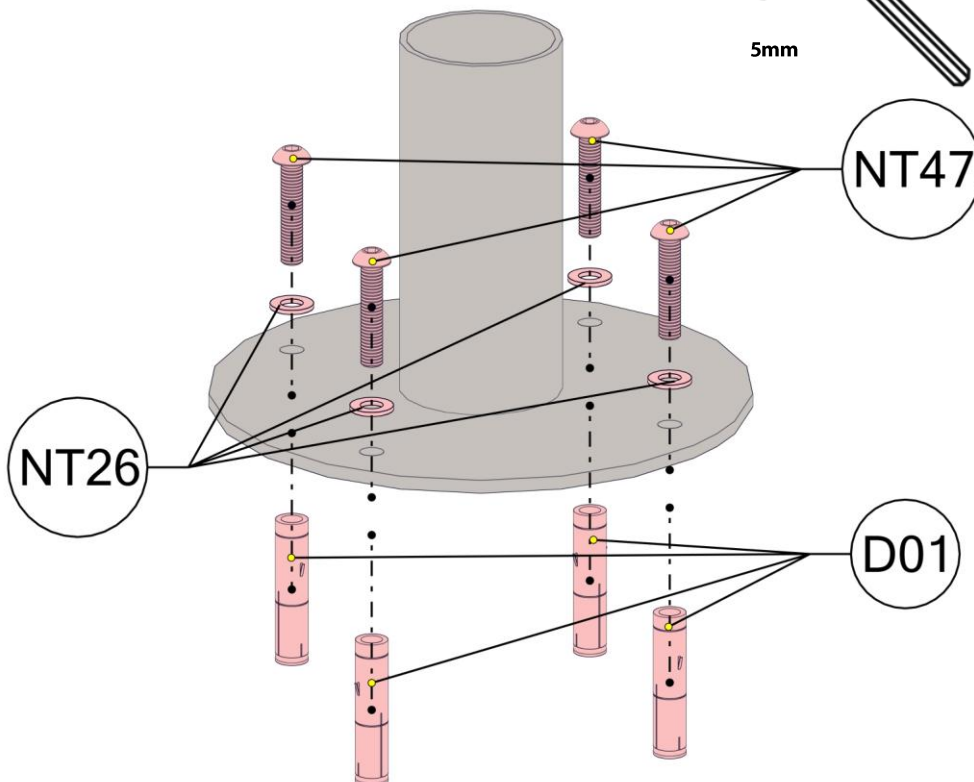
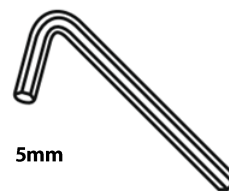
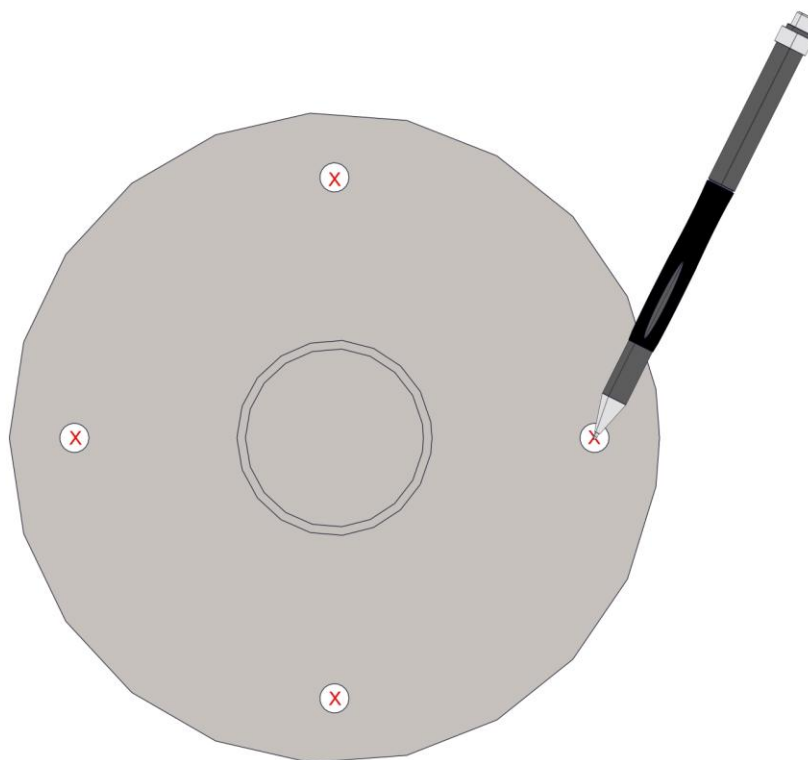
5mm



20

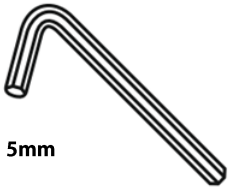


21

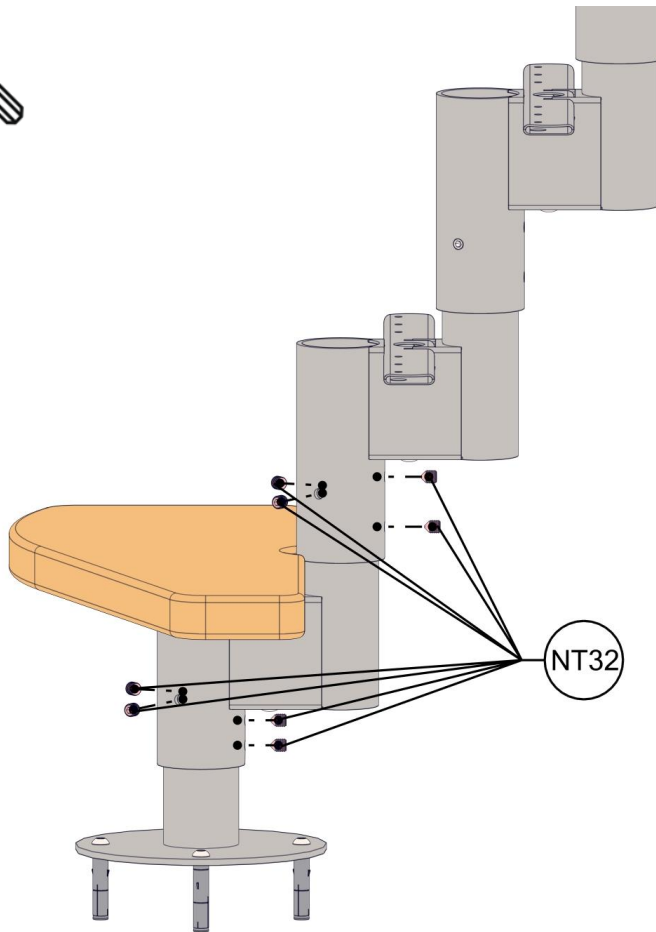


22

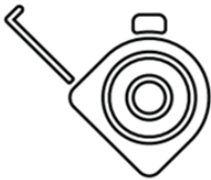
23



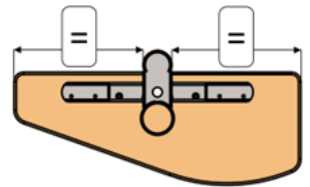
5mm



NT32

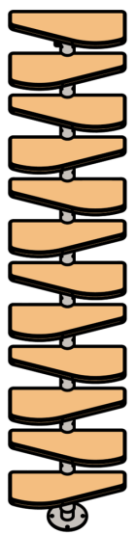


40mm



KS18

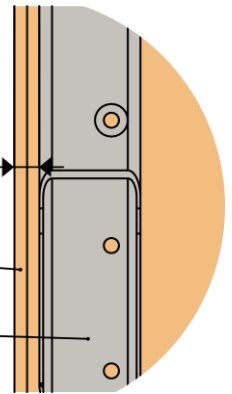
HS07



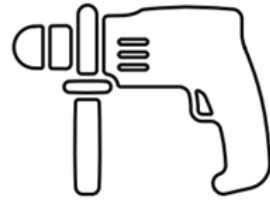
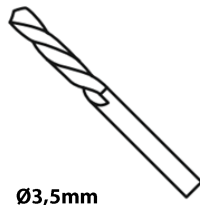
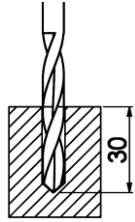
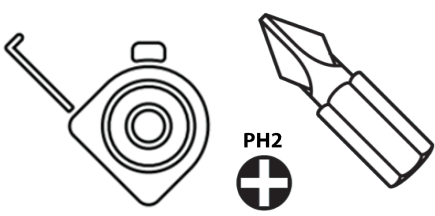
10 mm

HS07  
HS06

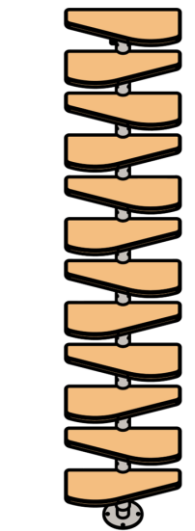
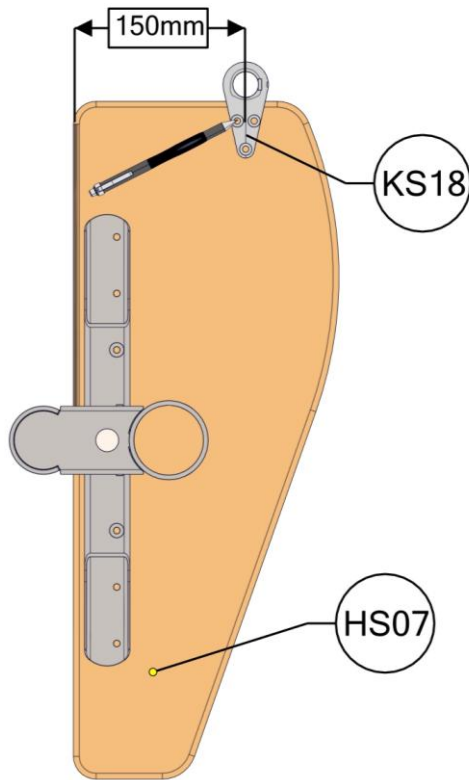
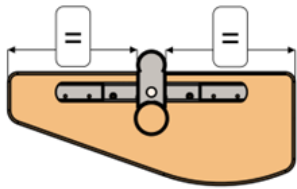
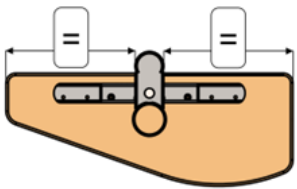
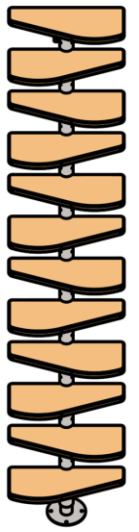
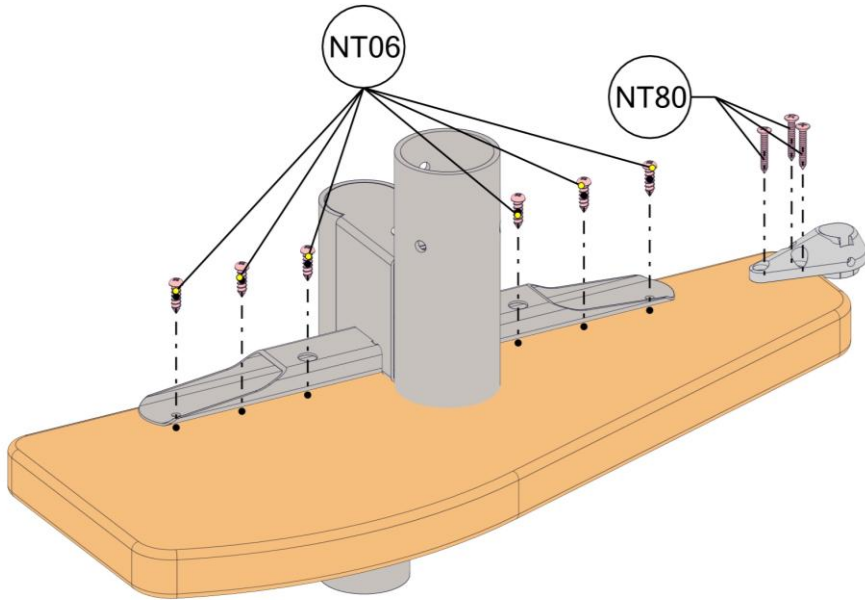
ST32



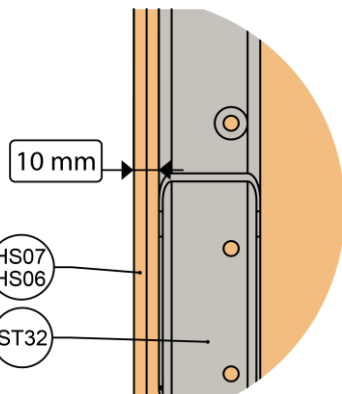
24



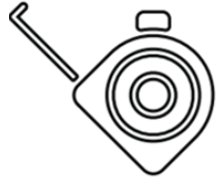
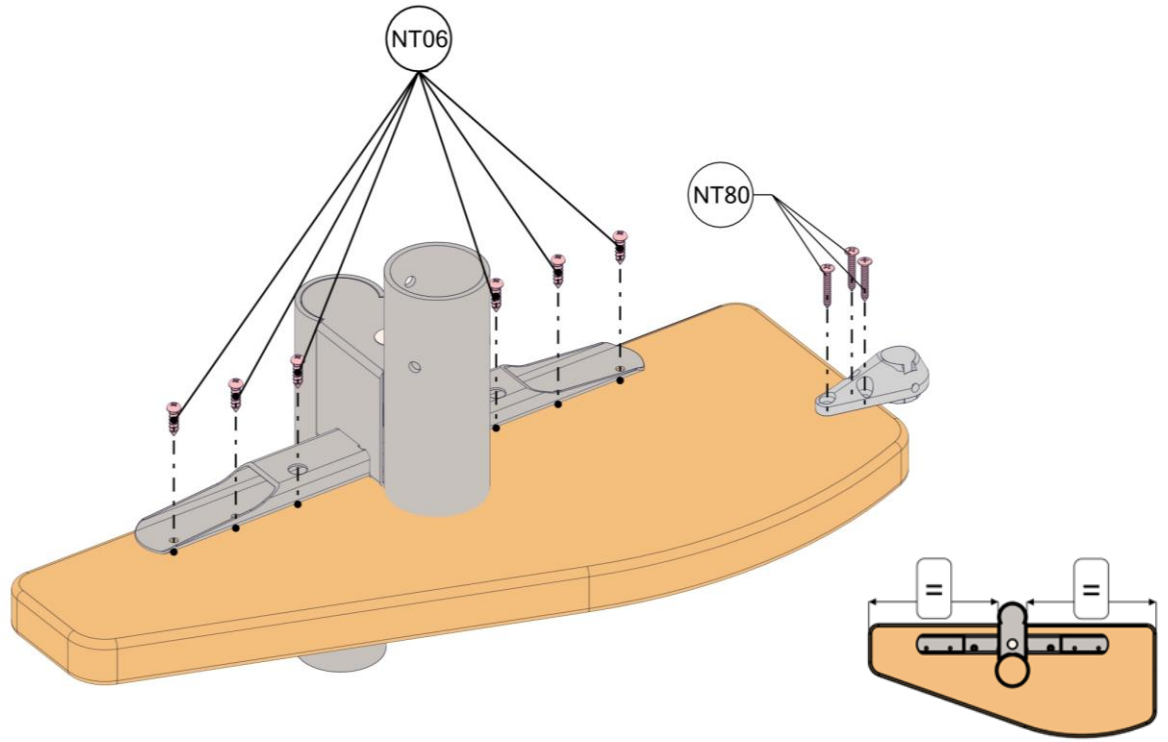
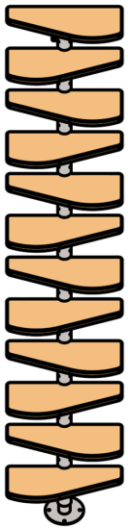
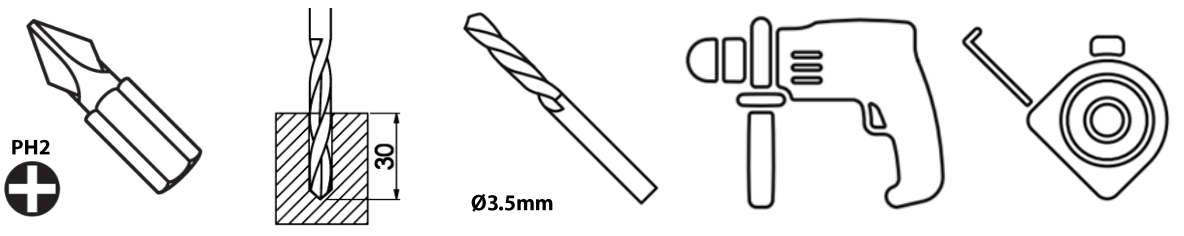
25



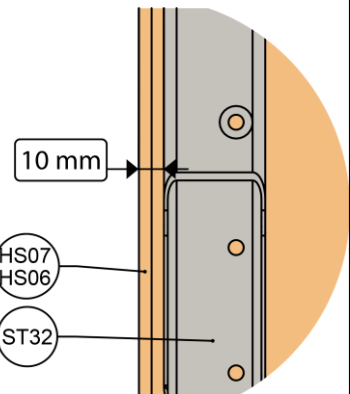
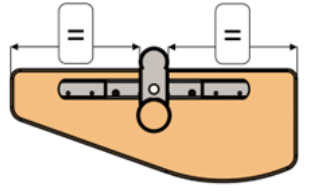
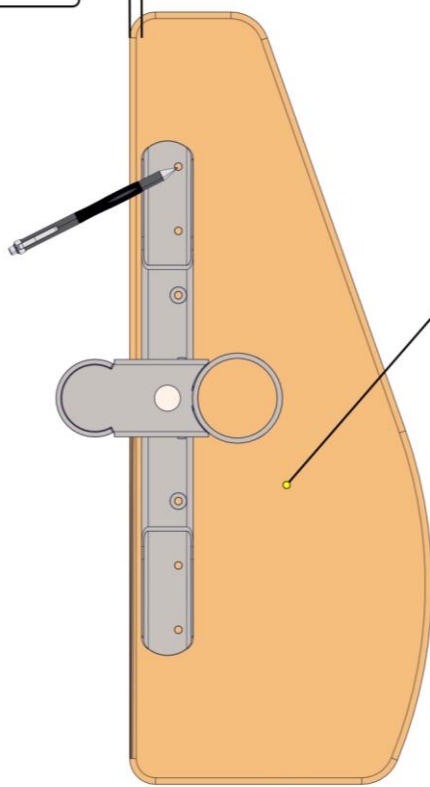
26



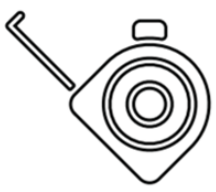
27



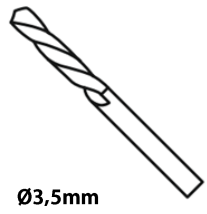
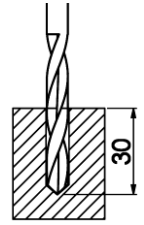
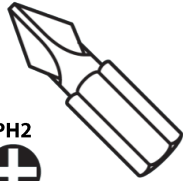
10 mm



28



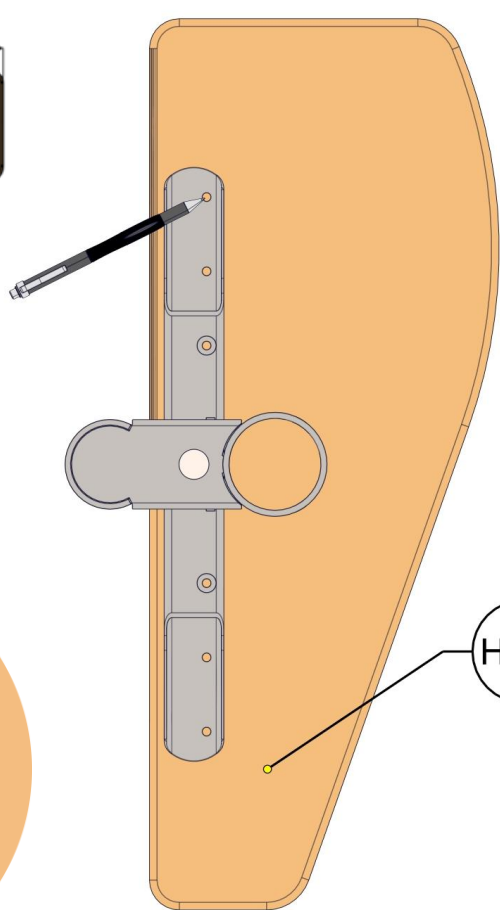
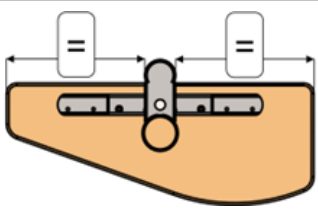
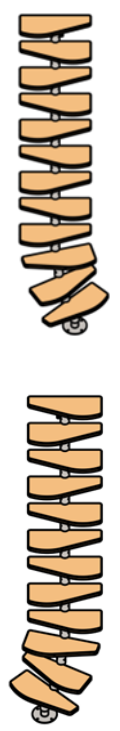
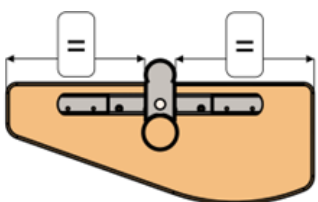
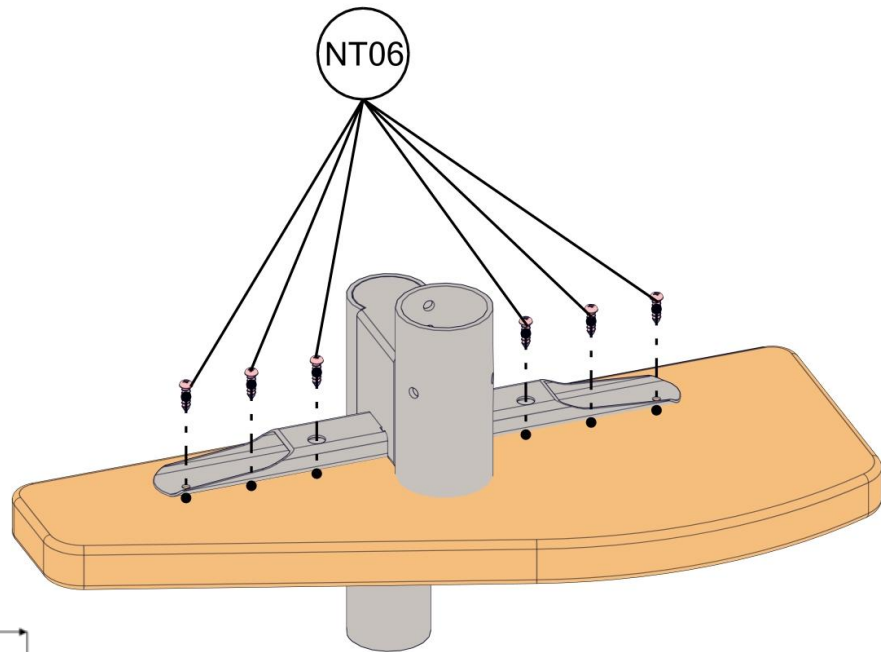
PH2



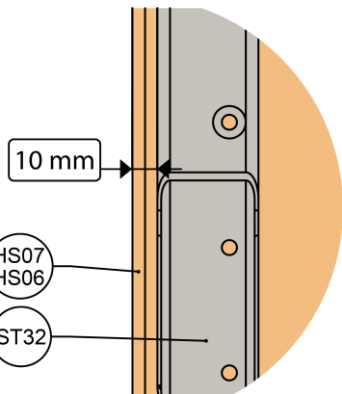
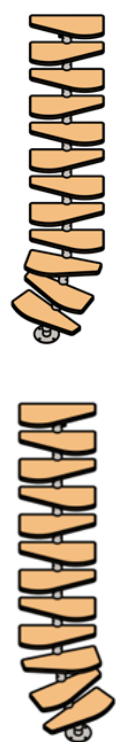
Ø3,5mm



NT06



HS07

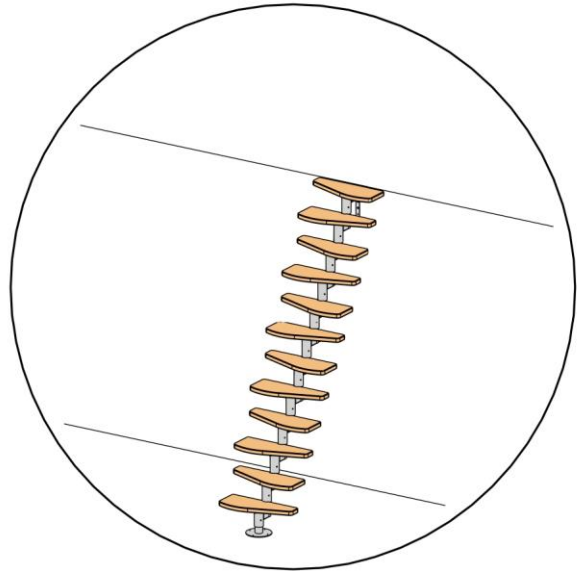
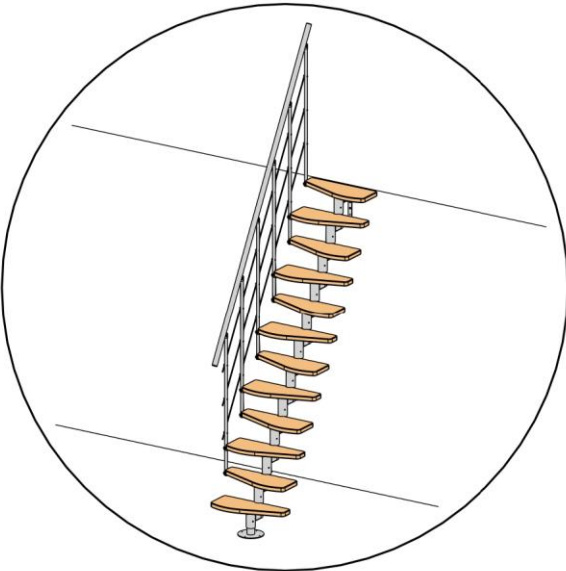
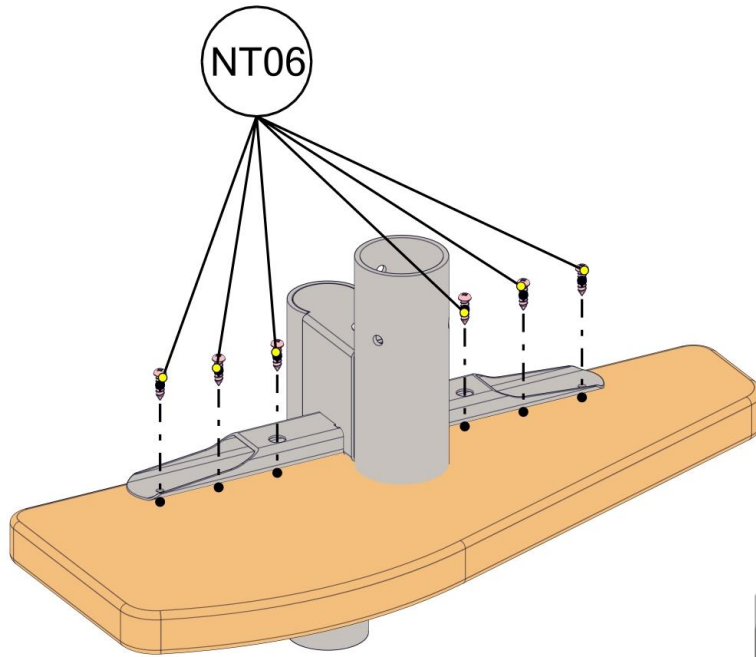
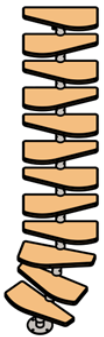
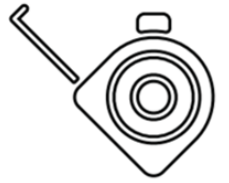
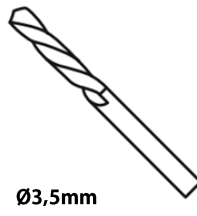
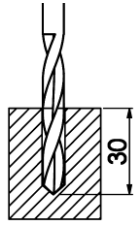
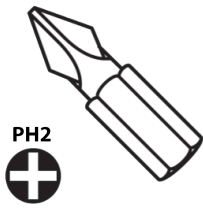


10 mm

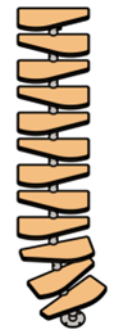
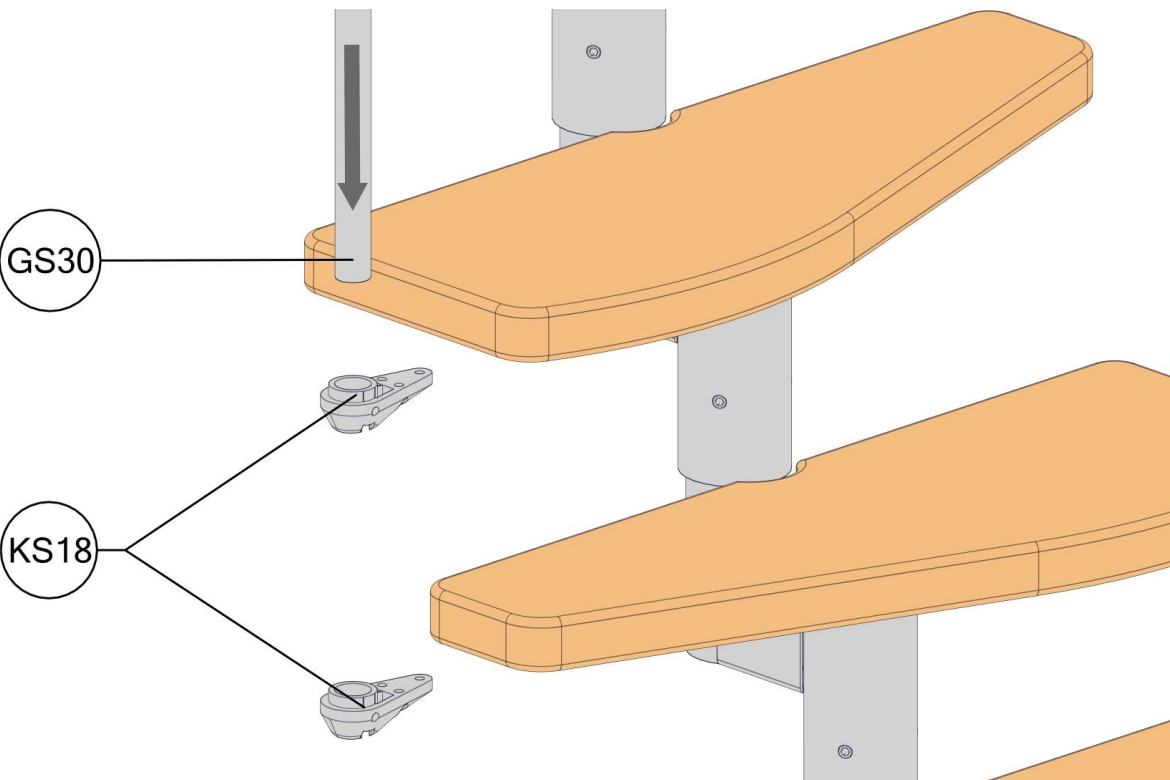
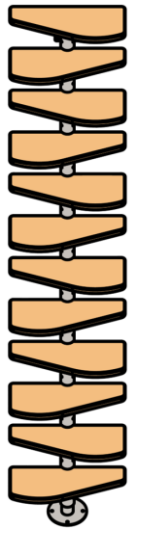
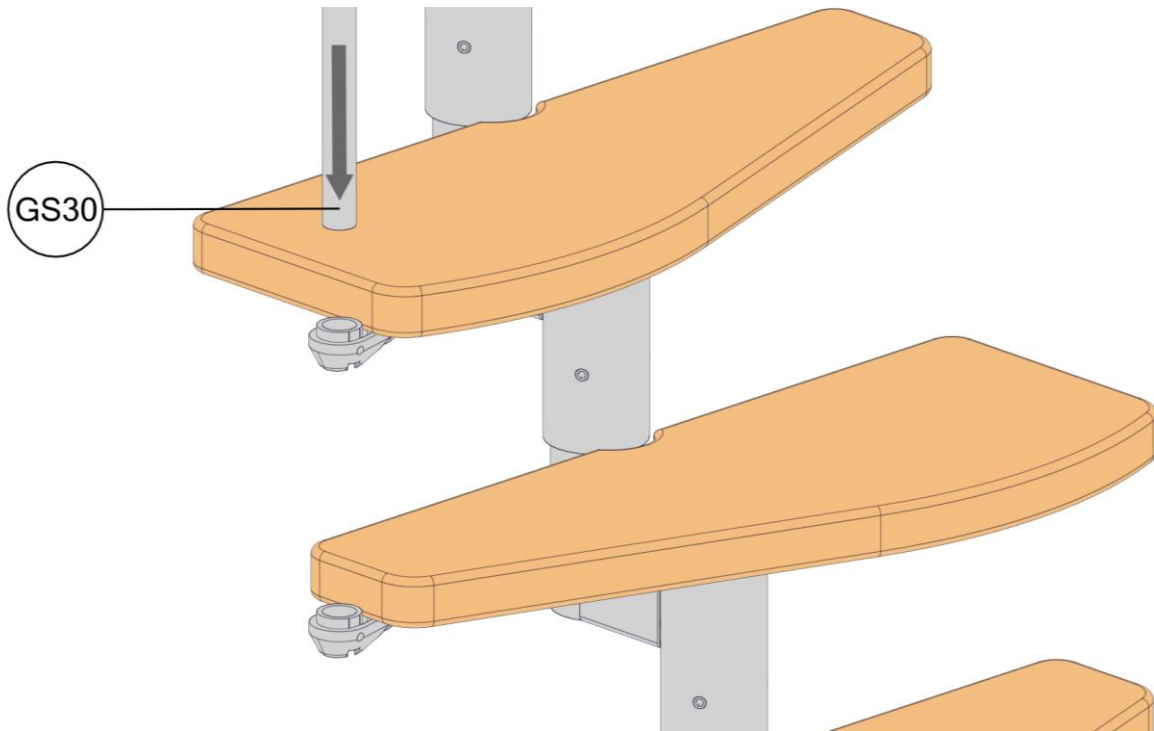
HS07  
HS06

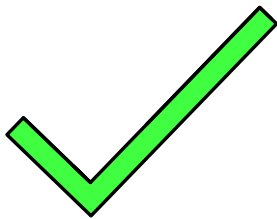
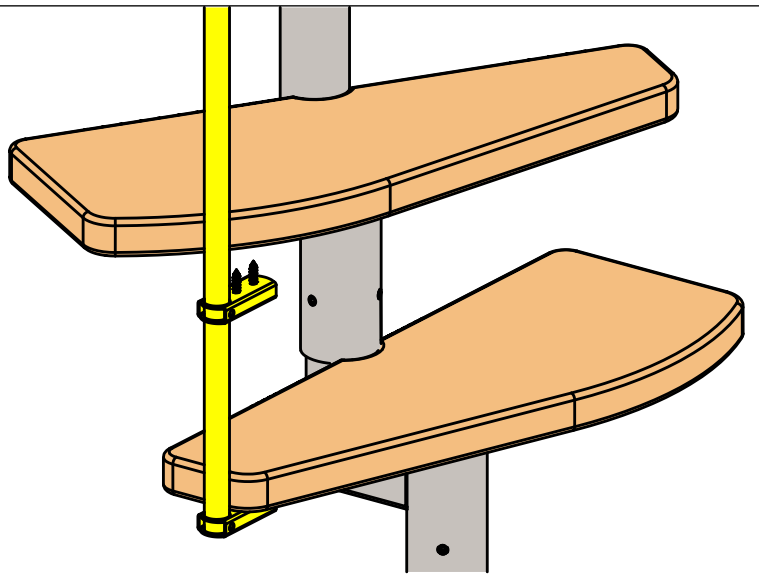
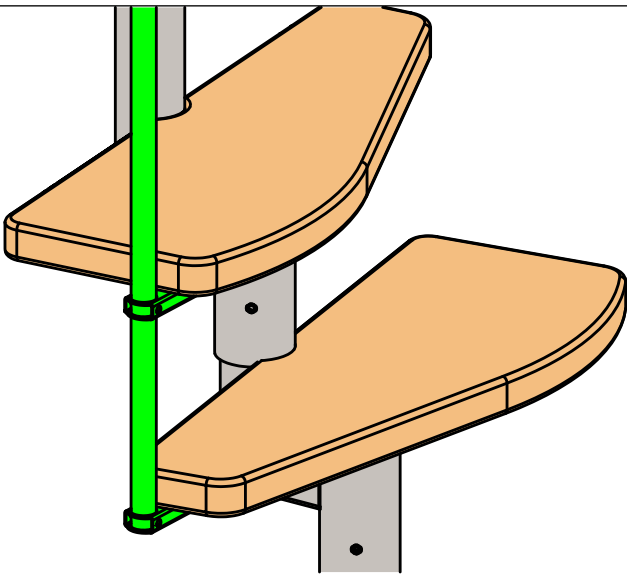
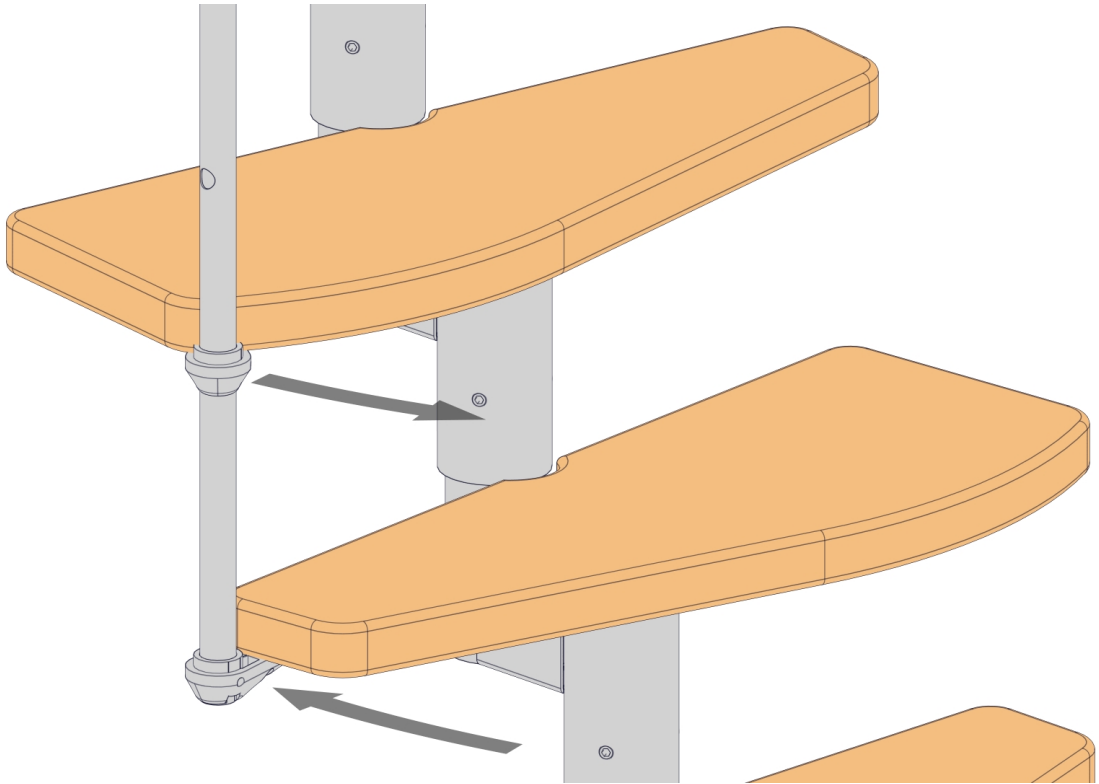
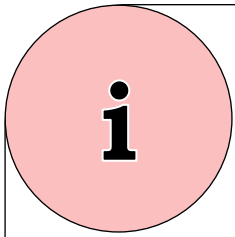
ST32

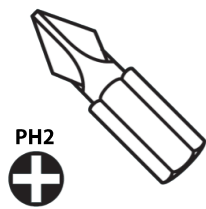
31



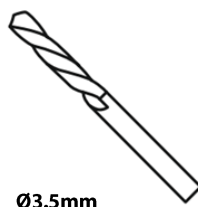
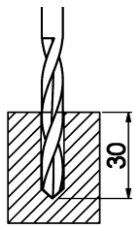
32







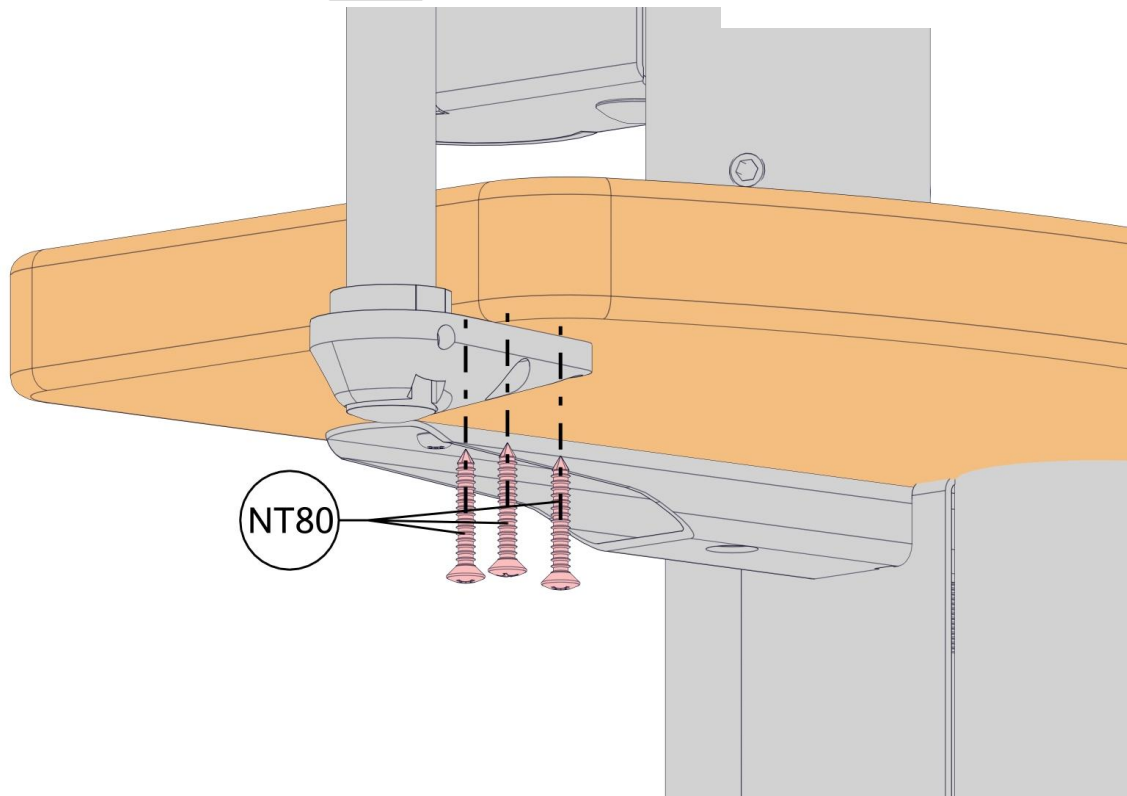
PH2



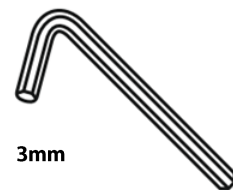
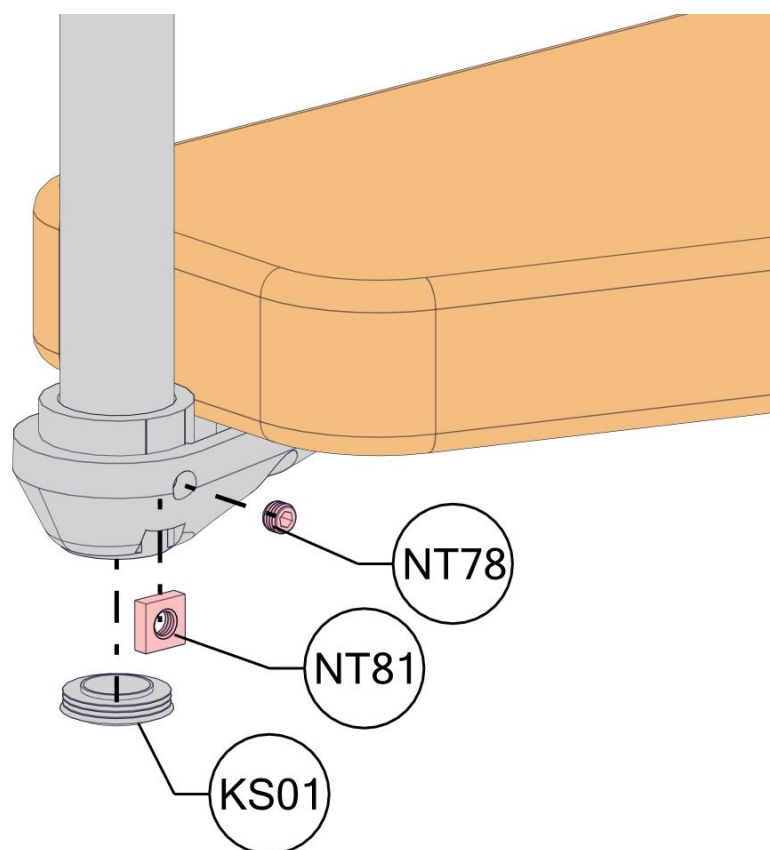
Ø3.5mm



35



NT80



3mm

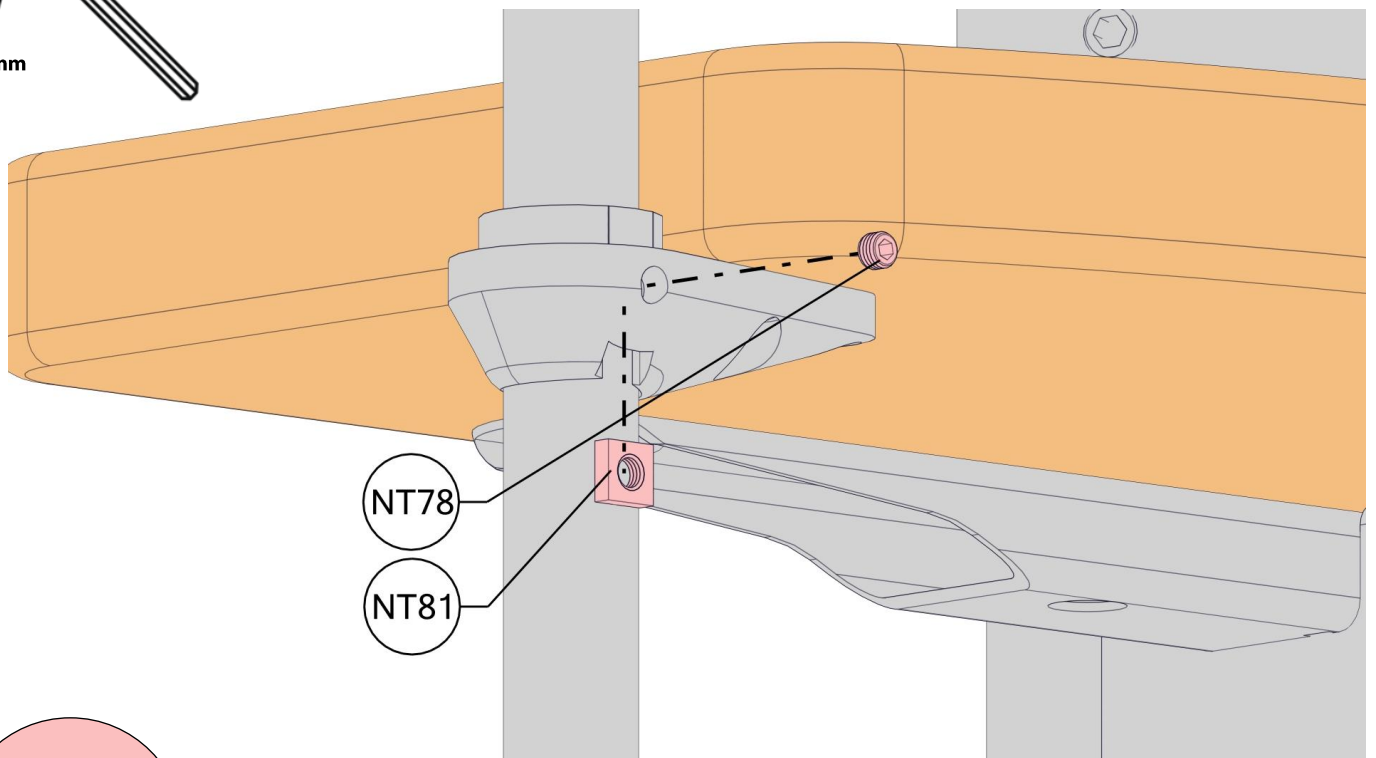
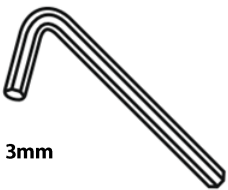
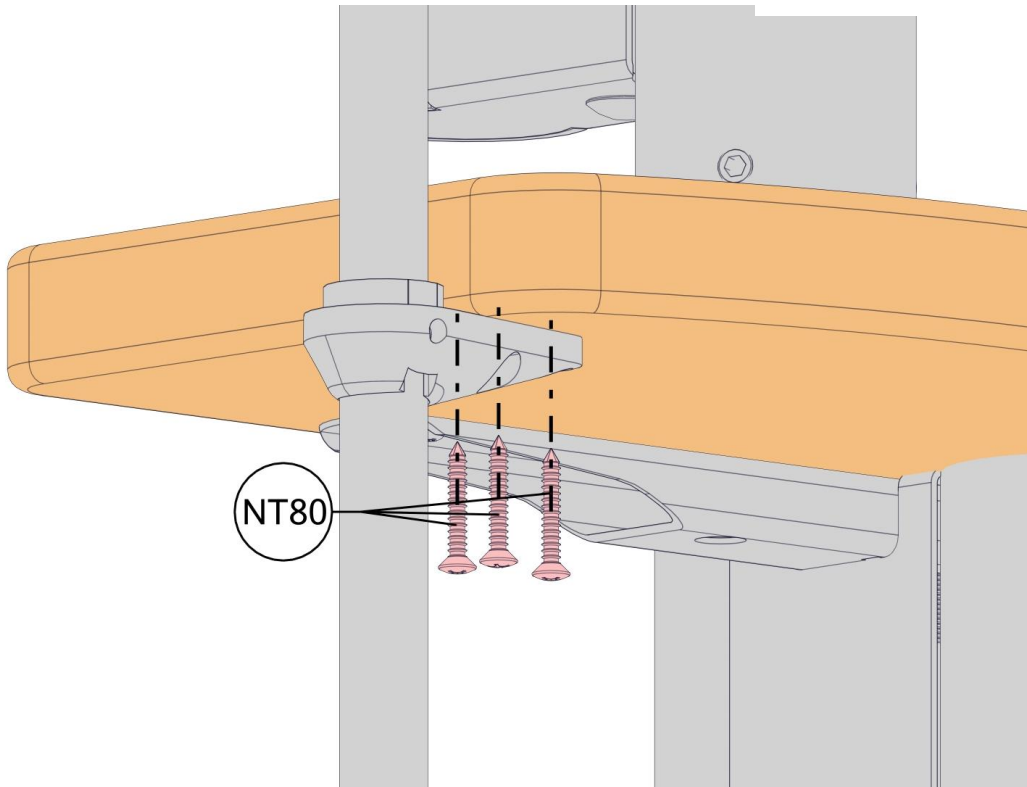
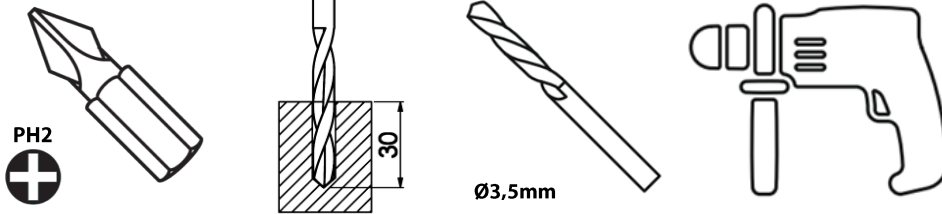
NT78

NT81

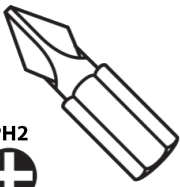
KS01

36

37



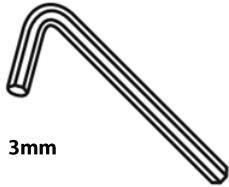
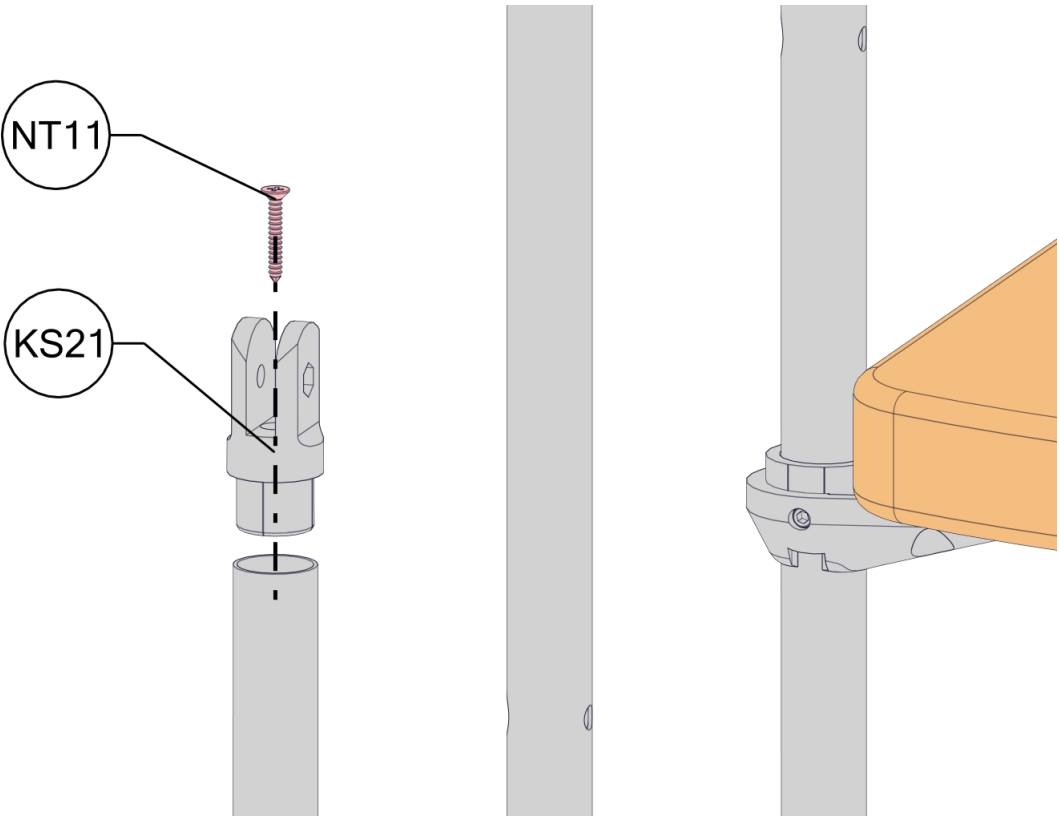
38



PH2

NT11

KS21



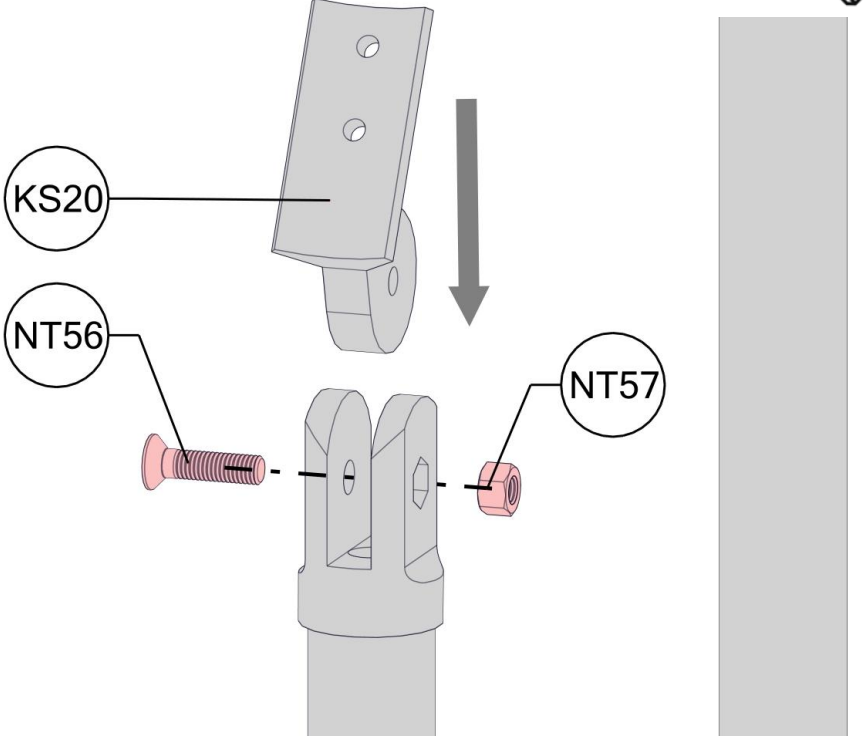
3mm

8mm

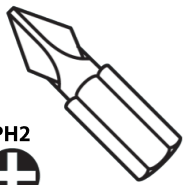
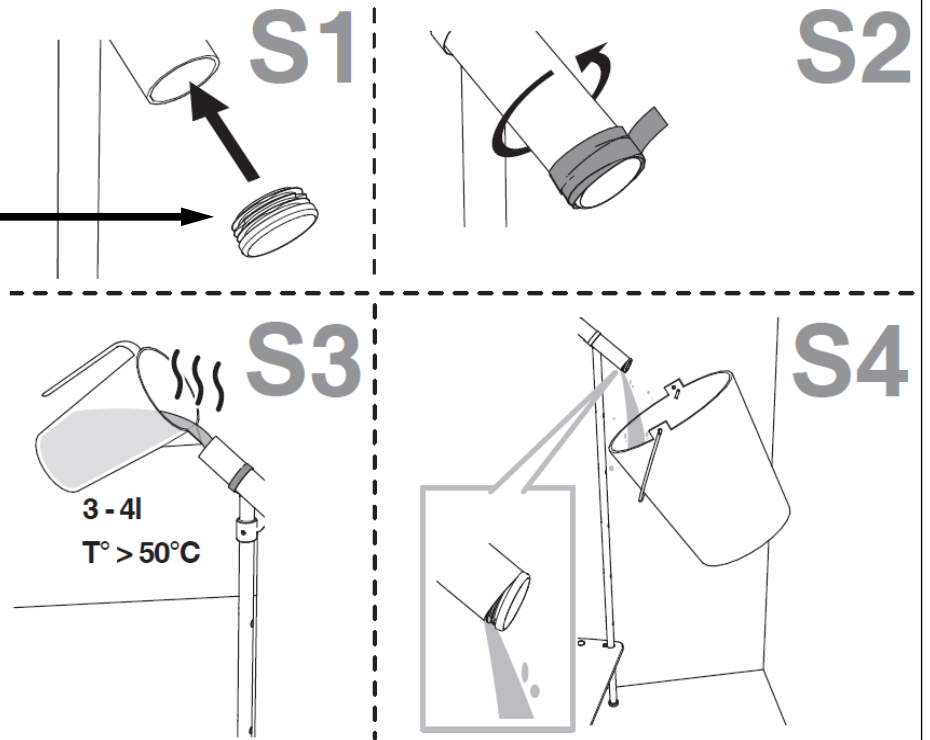
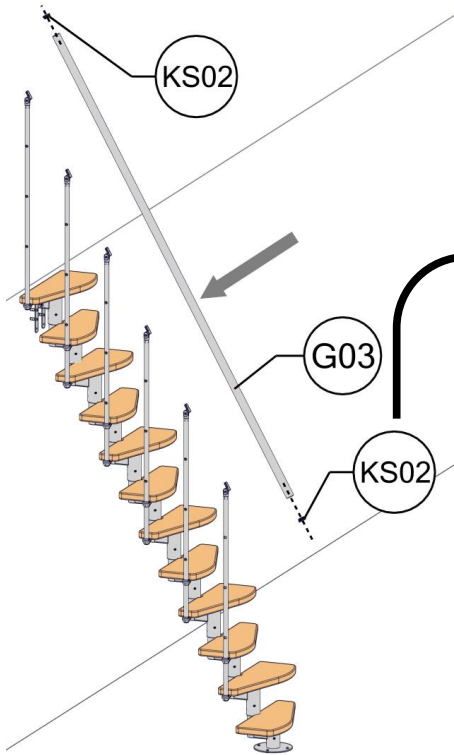
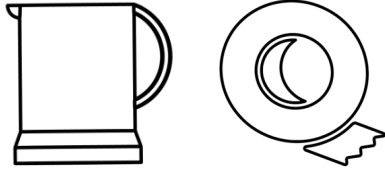
KS20

NT56

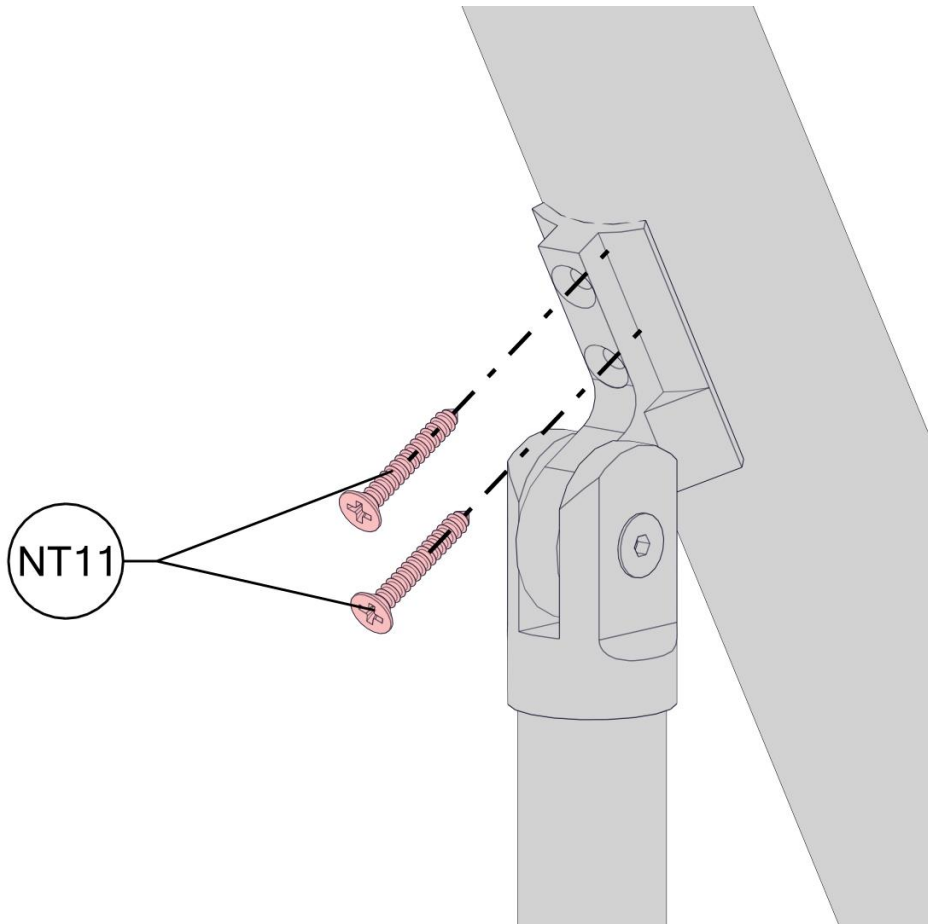
NT57



41



PH2  
+



42

