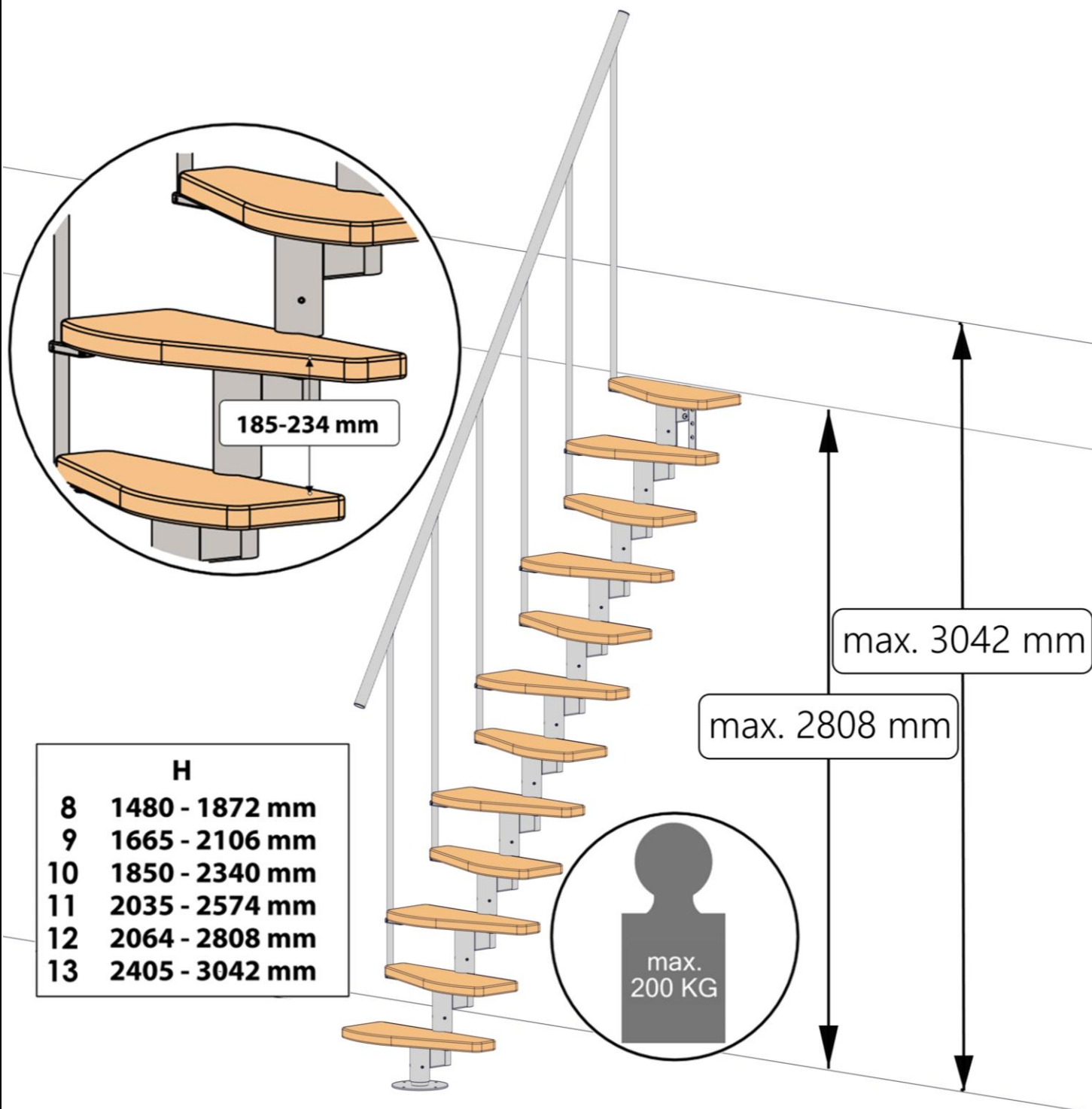
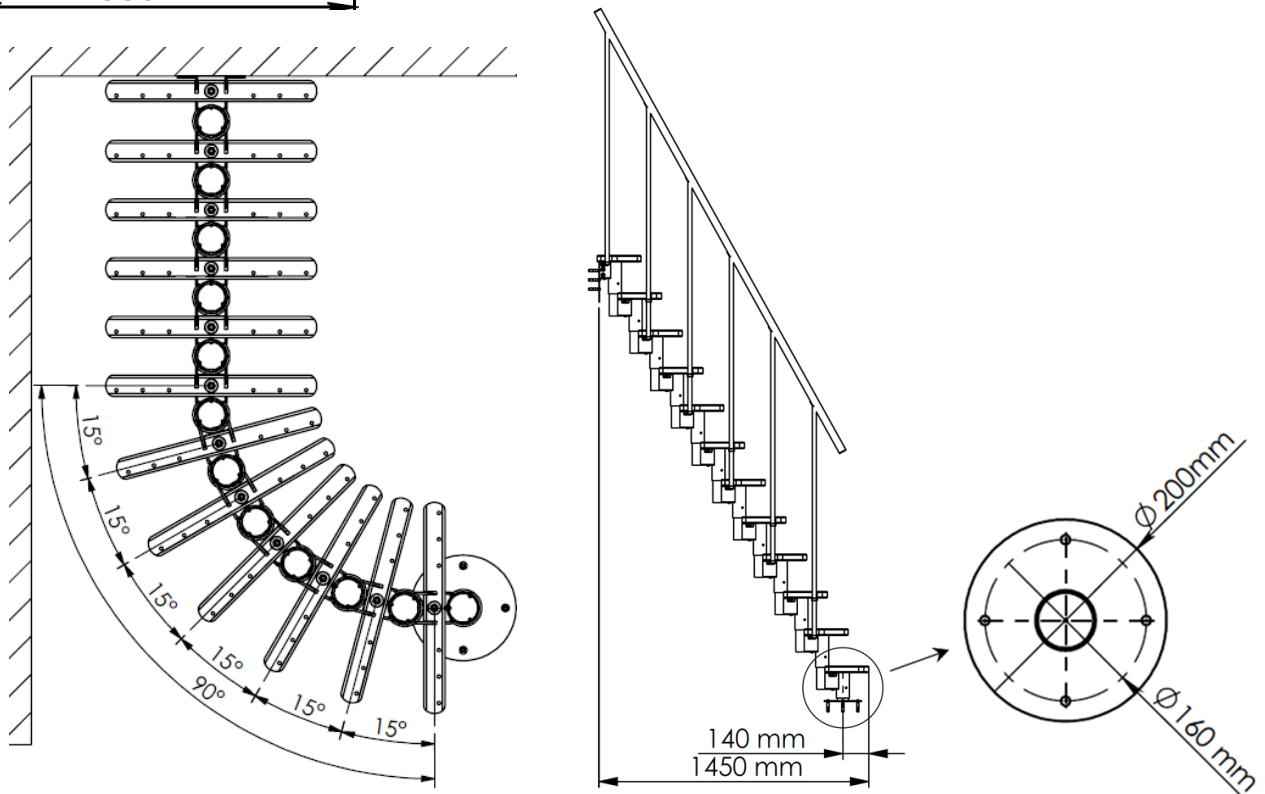
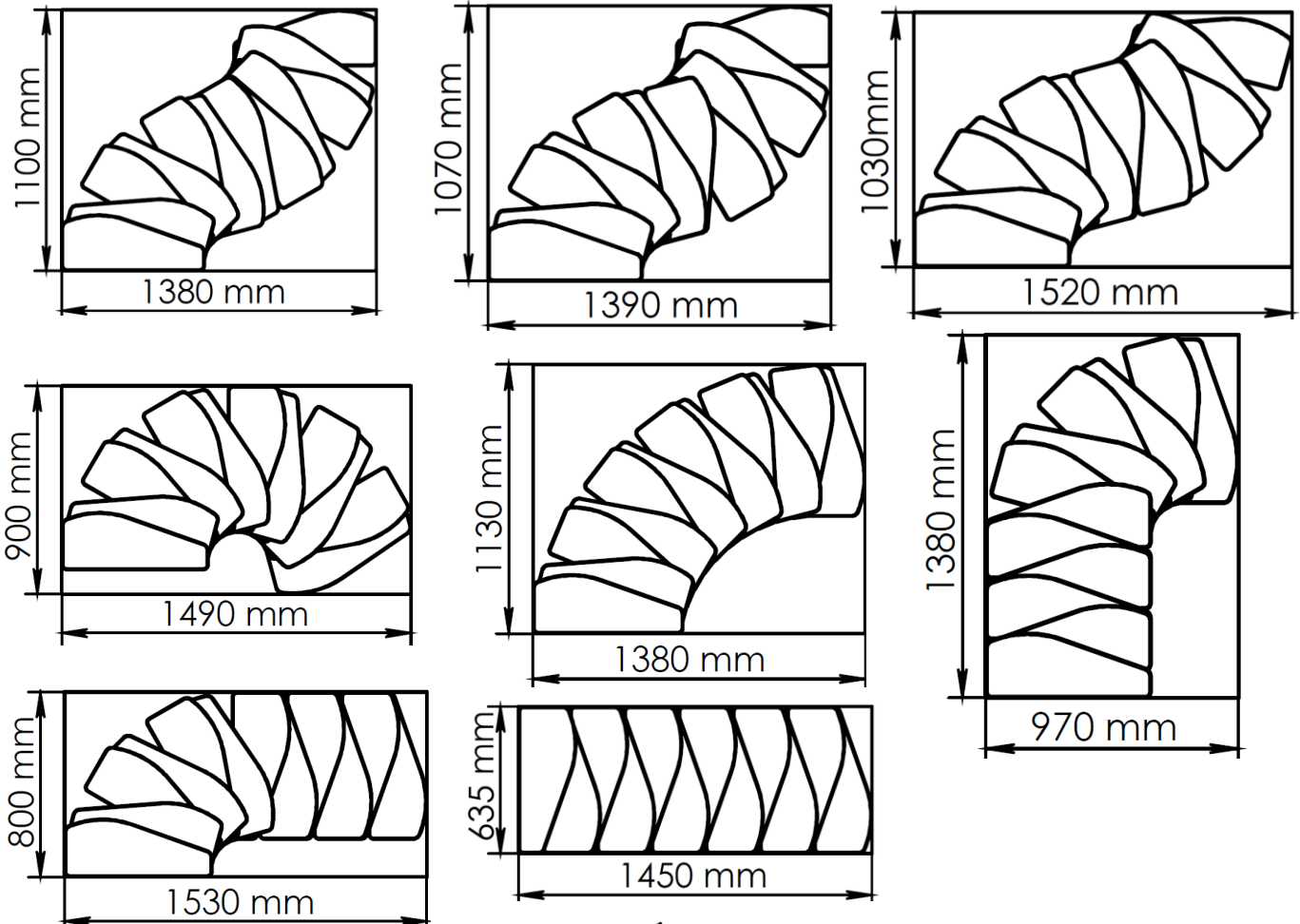


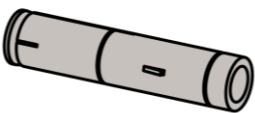

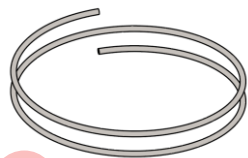
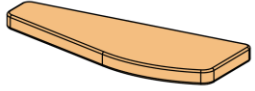
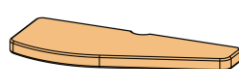
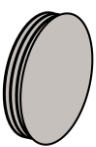
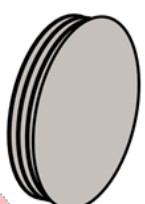
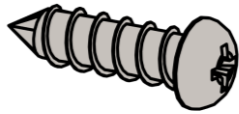

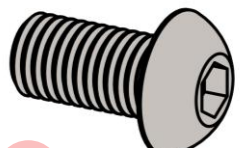
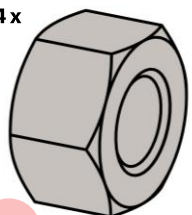
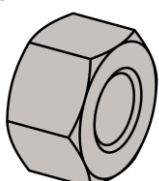
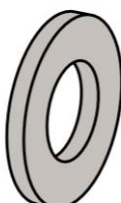

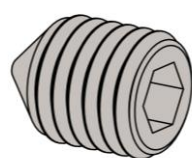
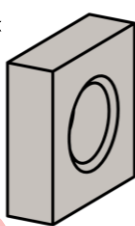
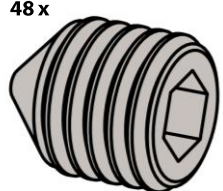
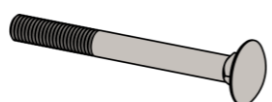

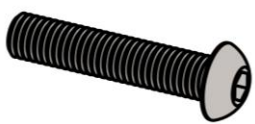
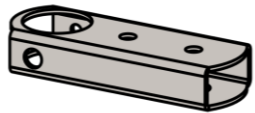


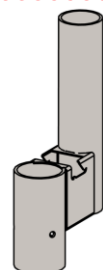
MONTE CARLO



MONTE CARLO

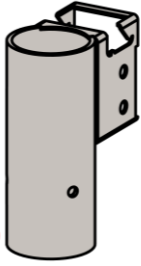


MONTE CARLO

<p>10 x</p>  <p>D01 M8x55 mm</p>	<p>10 x</p>  <p>GS11 Ø22x2x1260 mm</p>	<p>1 x</p>  <p>G02 Ø40x3,5x4000 mm</p>	<p>1 x</p>  <p>HS06</p>
<p>11 x</p>  <p>HS07</p>	<p>10 x</p>  <p>KS01 Ø22mm</p>	<p>2 x</p>  <p>KS02 Ø40mm</p>	<p>112 x</p>  <p>NT06 Ø5x30mm</p>
<p>20 x</p>  <p>NT11 Ø4x25mm</p>	<p>4 x</p>  <p>NT18 M10x20mm ISO7380</p>	<p>4 x</p>  <p>NT22 M10</p>	<p>12 x</p>  <p>NT24 M8</p>
<p>8 x</p>  <p>NT25 M10 DIN125A</p>	<p>10 x</p>  <p>NT26 M8 DIN125A</p>	<p>20 x</p>  <p>NT30 M5x6mm DIN914</p>	<p>20 x</p>  <p>NT31 M5 DIN562</p>
<p>48 x</p>  <p>NT32 M10x8mm DIN914</p>	<p>12 x</p>  <p>NT35 M8x80mm ISO8677</p>	<p>12 x</p>  <p>NT37 M8 DIN9021</p>	<p>10 x</p>  <p>NT47 M8x60mm ISO7380-1</p>
<p>20 x</p>  <p>ST22</p>	<p>10 x</p>  <p>ST31</p>	<p>12 x</p>  <p>ST32</p>	<p>1 x</p>  <p>ST33</p>

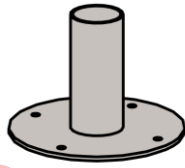
MONTE CARLO

1 x



ST34

1 x



ST35

1 x

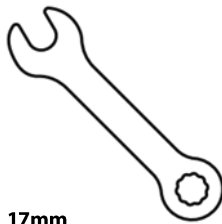


ST166a

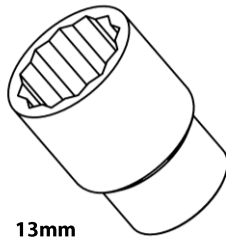
1 x



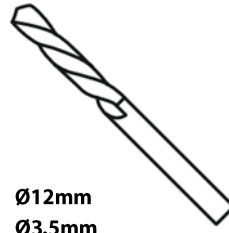
ST166b



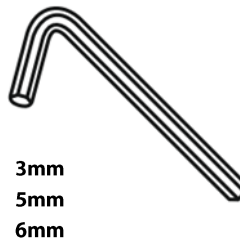
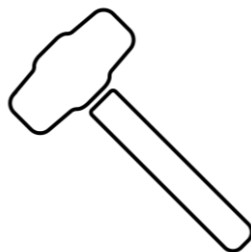
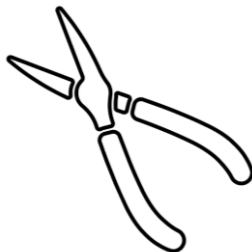
17mm



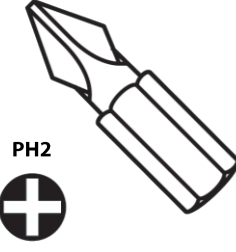
13mm



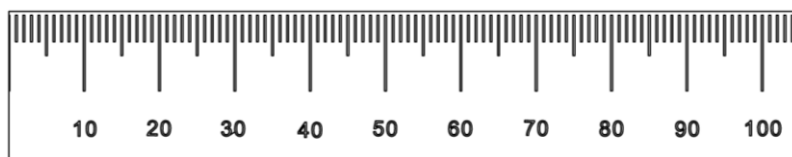
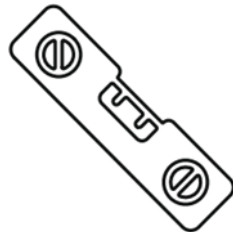
Ø12mm
Ø3.5mm

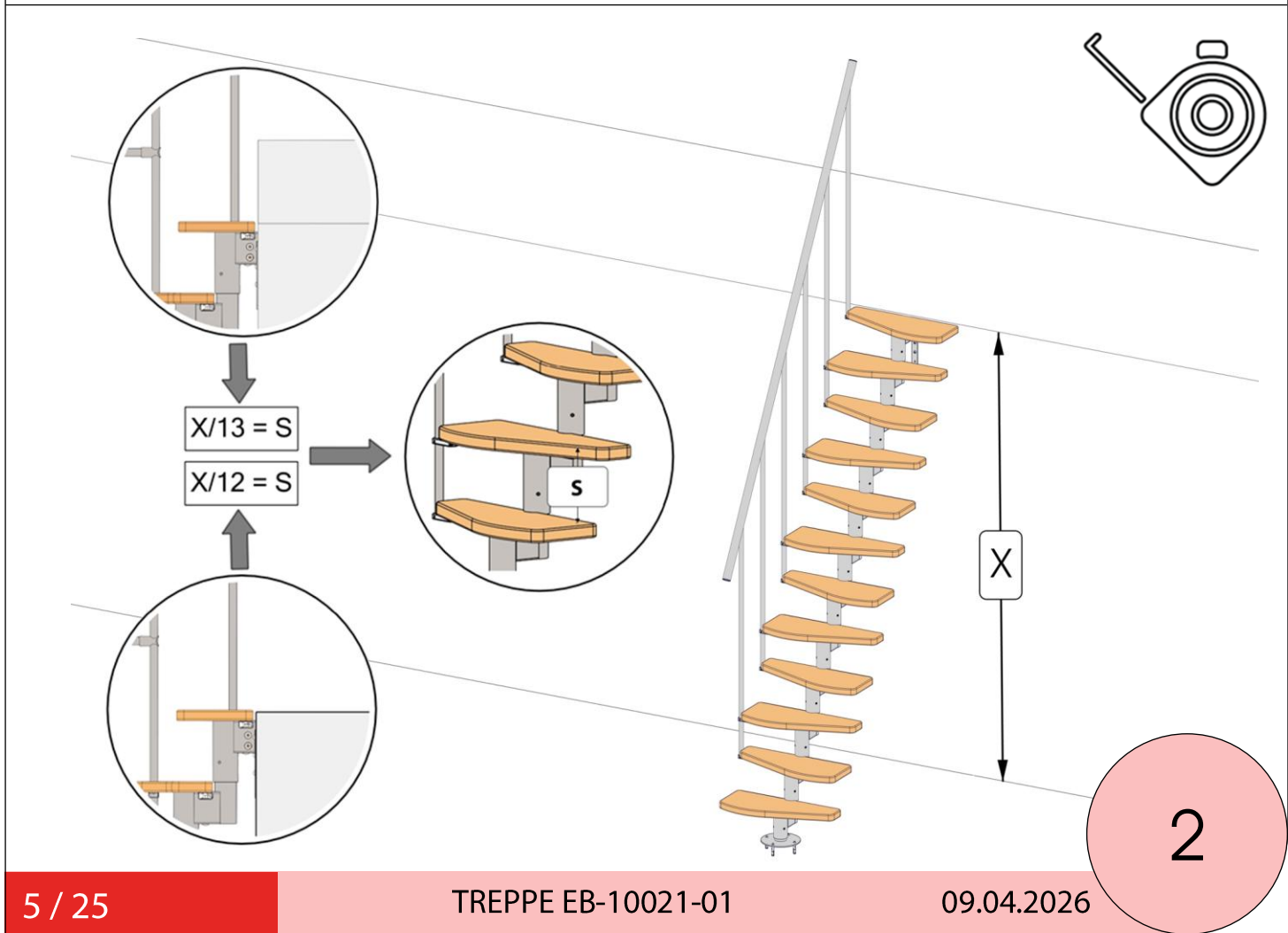
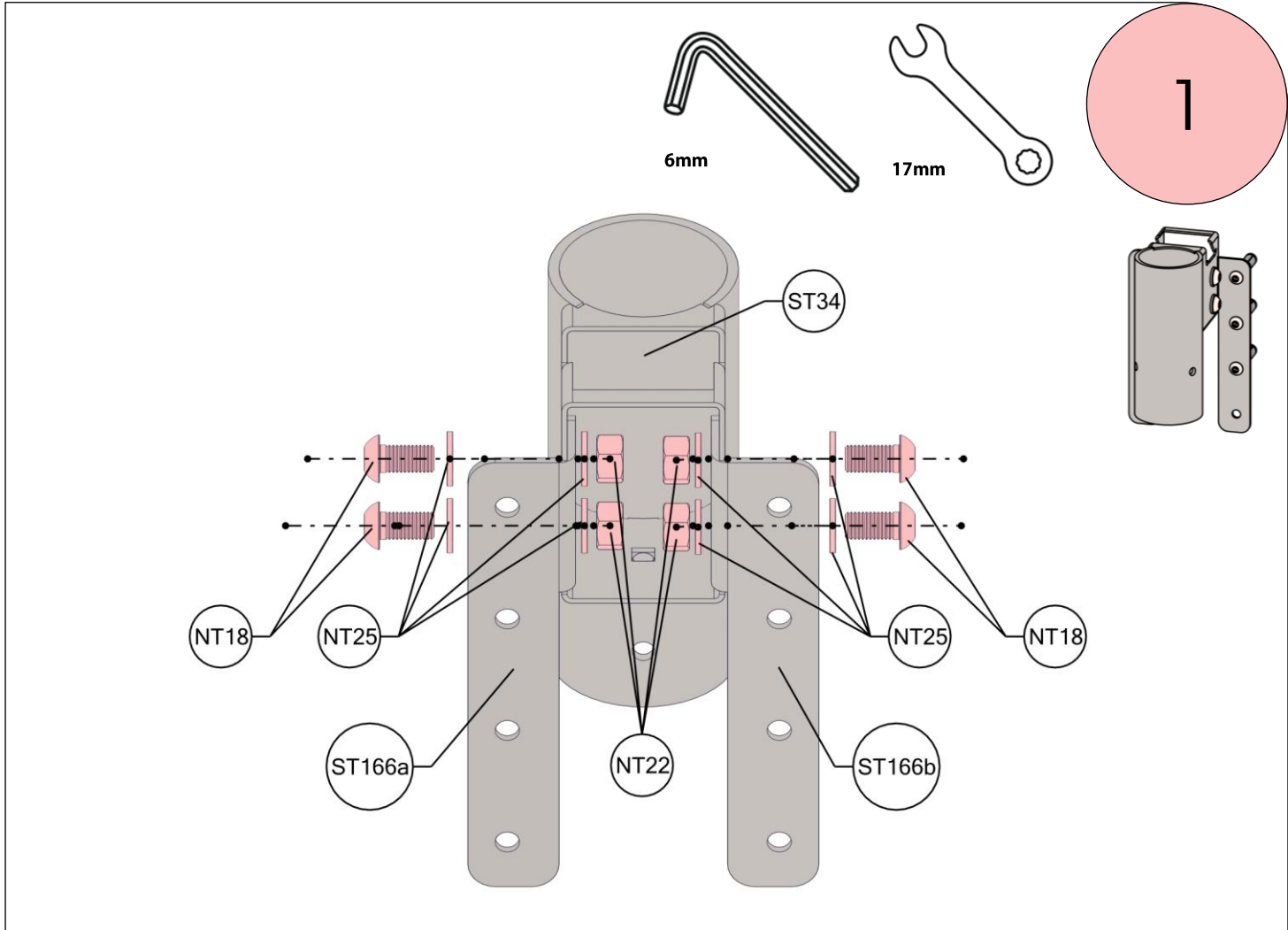


3mm
5mm
6mm

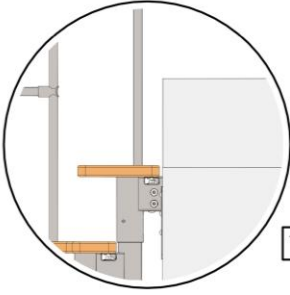
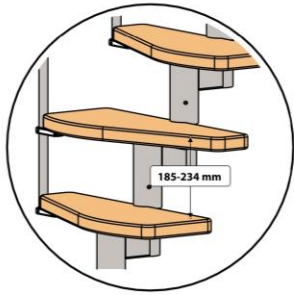
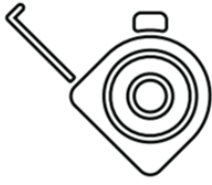


PH2



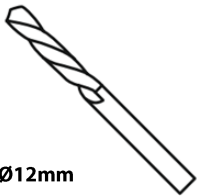
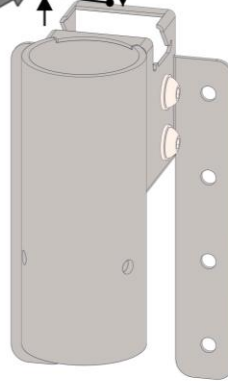
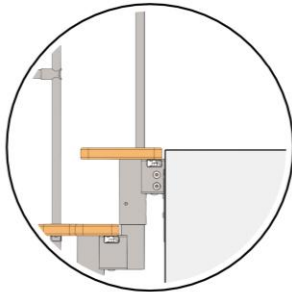


3

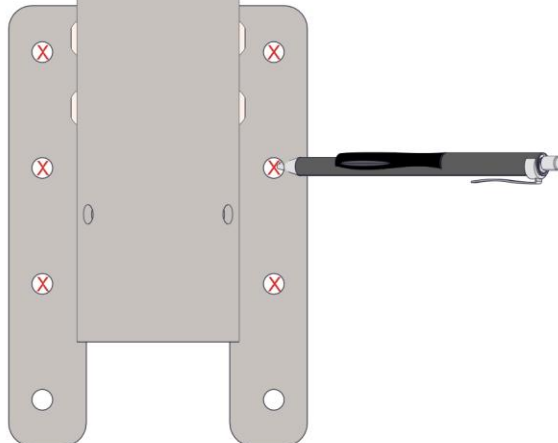
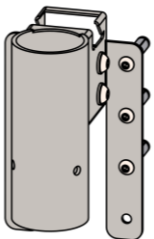
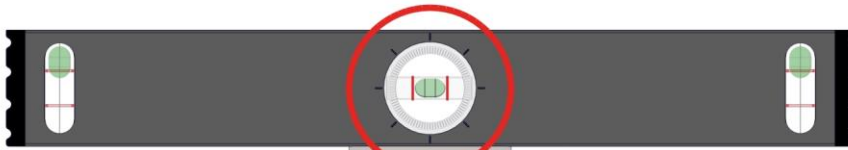
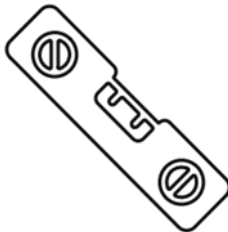


13xS: (185mm ↔ 234mm) + 35mm

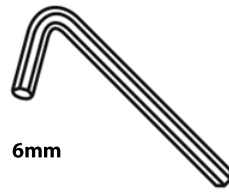
12xS:35mm



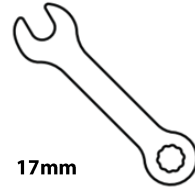
Ø12mm



4

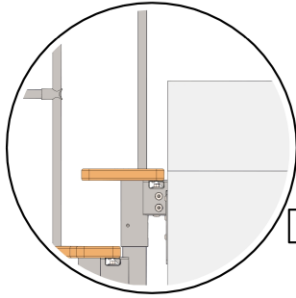
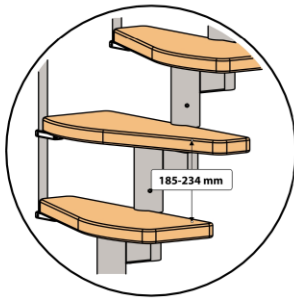
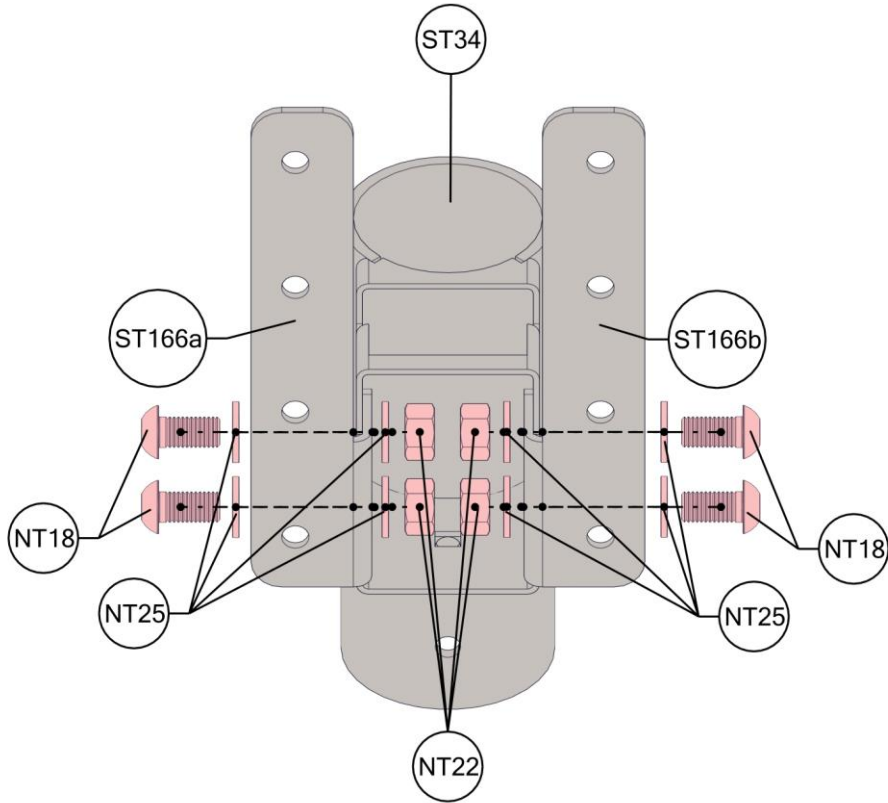


6mm

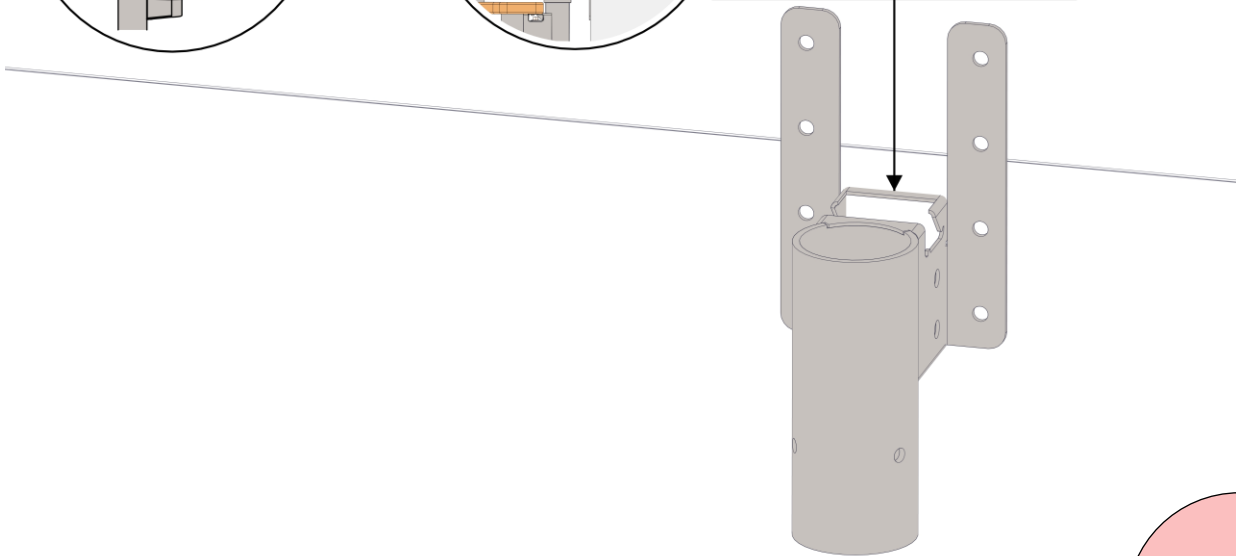
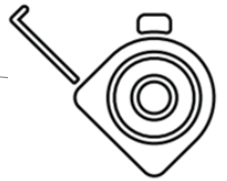


17mm

5



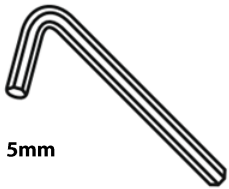
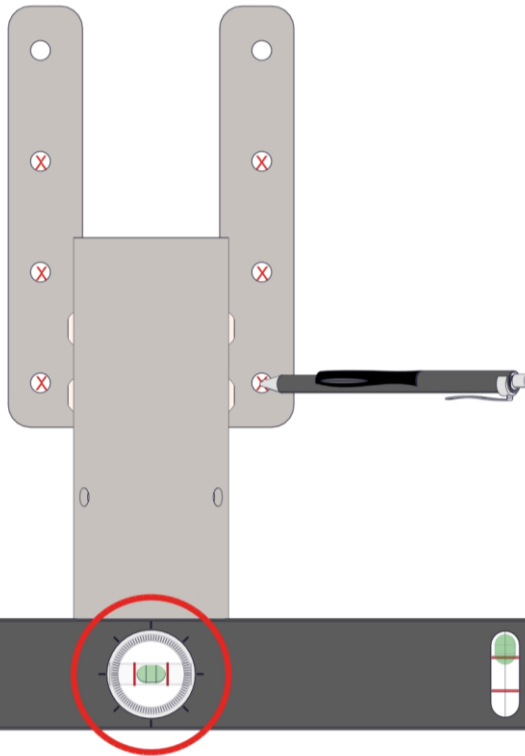
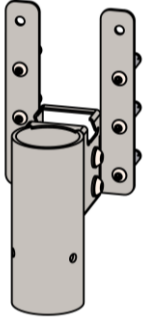
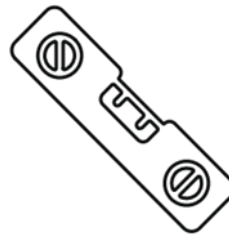
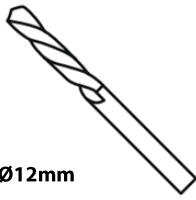
13xS: (185mm ↔ 234mm) + 35mm



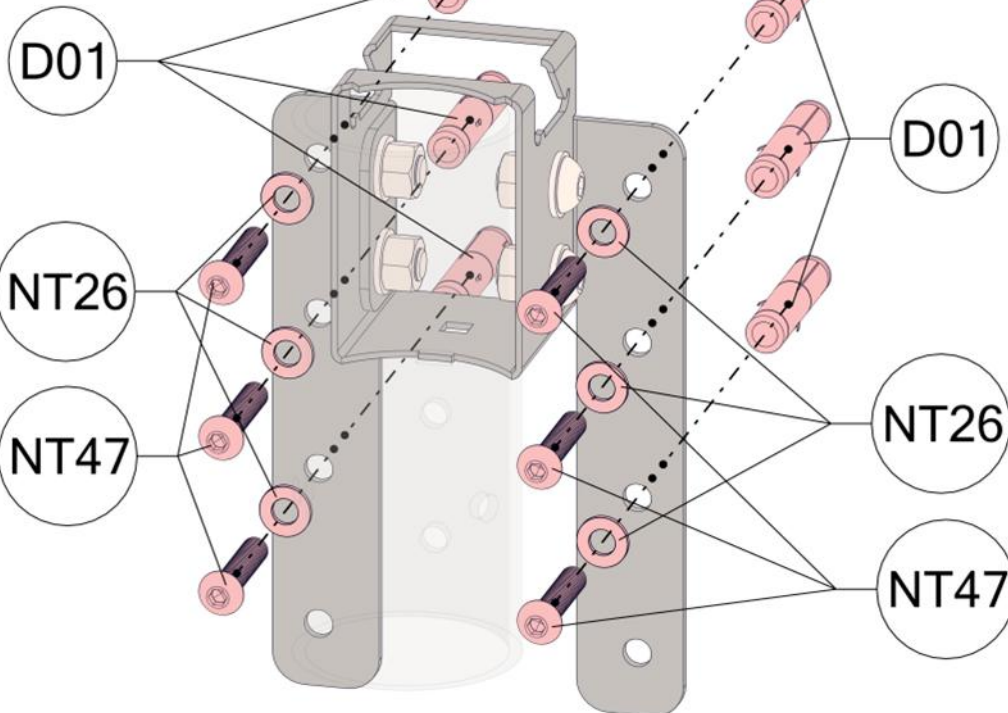
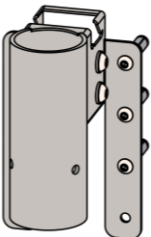
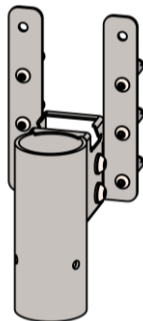
6

7

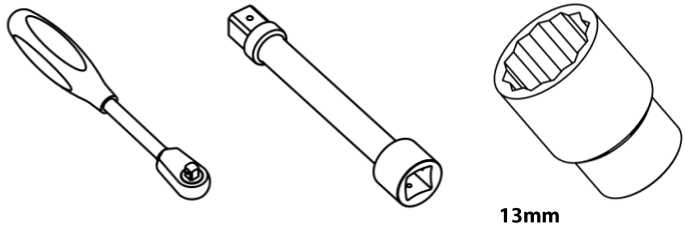
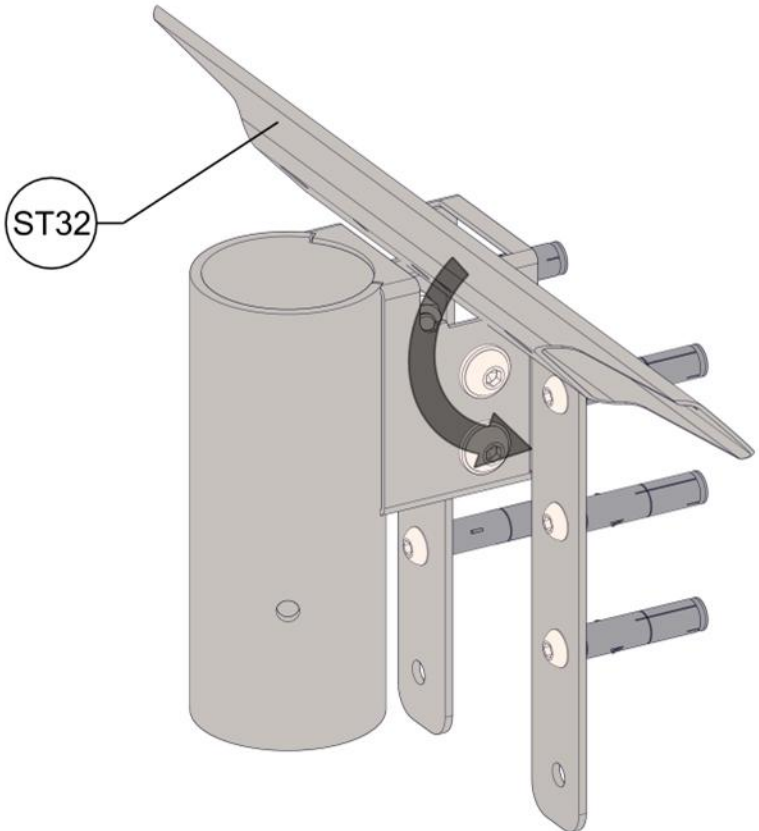
Ø12mm



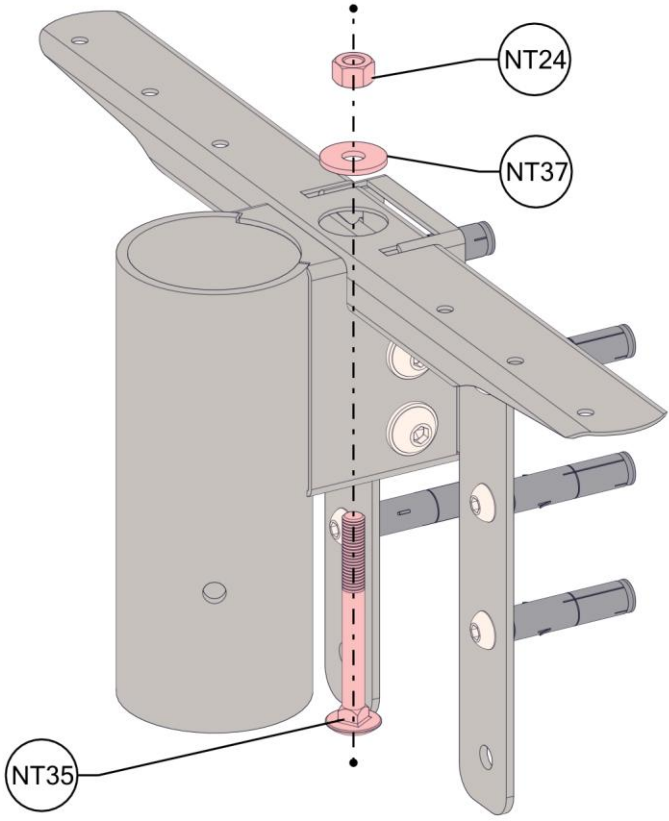
5mm



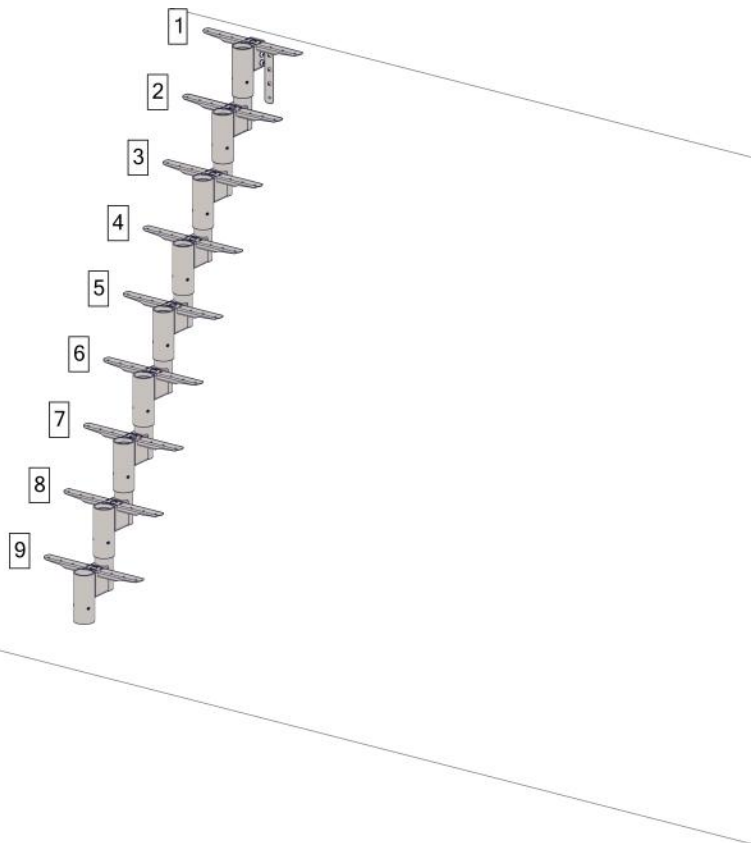
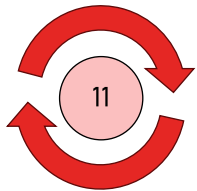
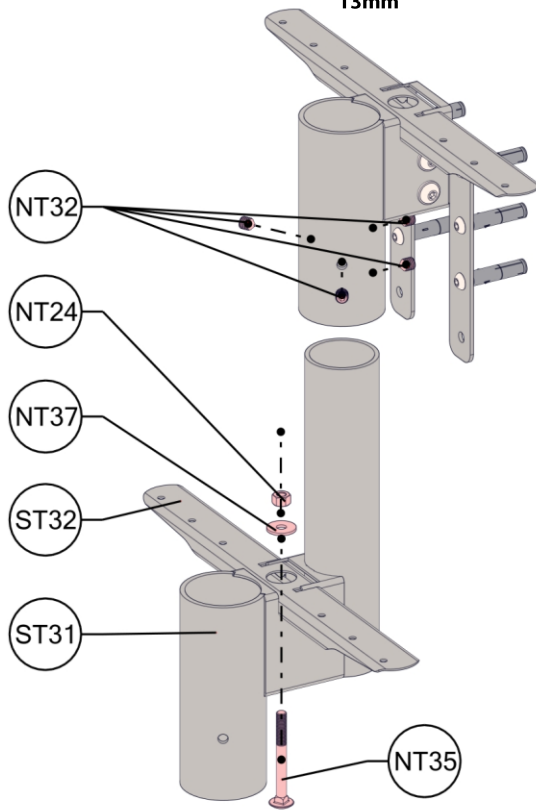
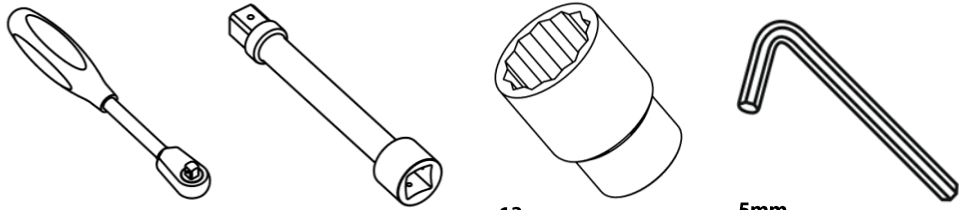
8



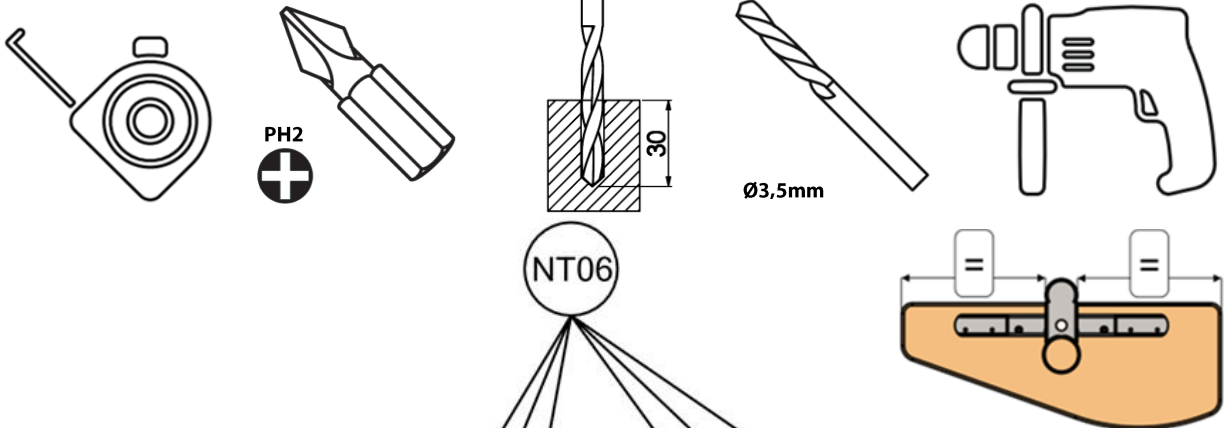
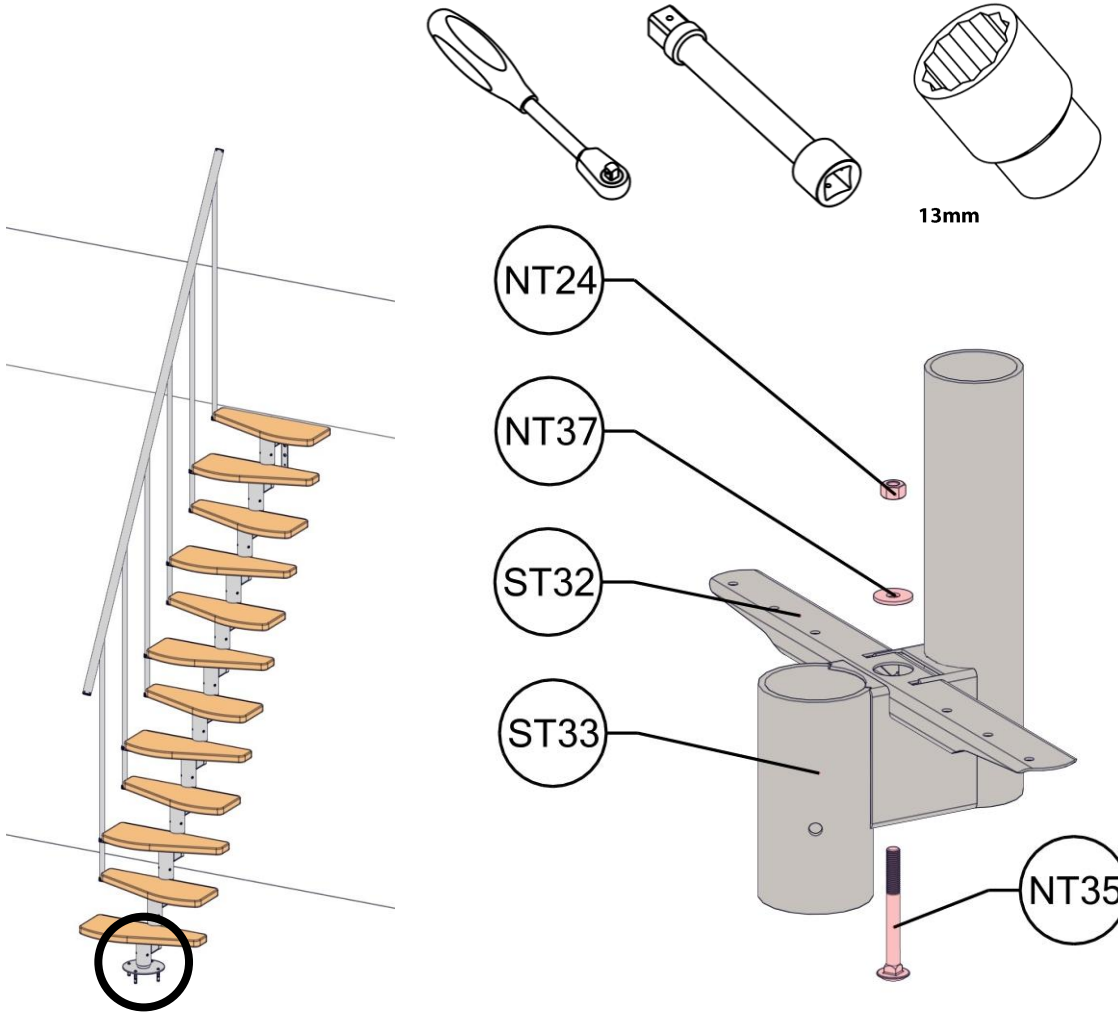
13mm



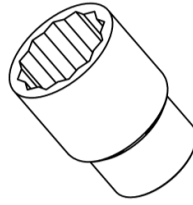
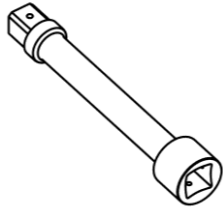
11



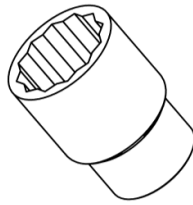
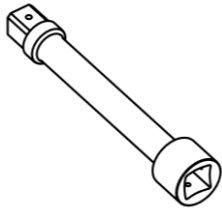
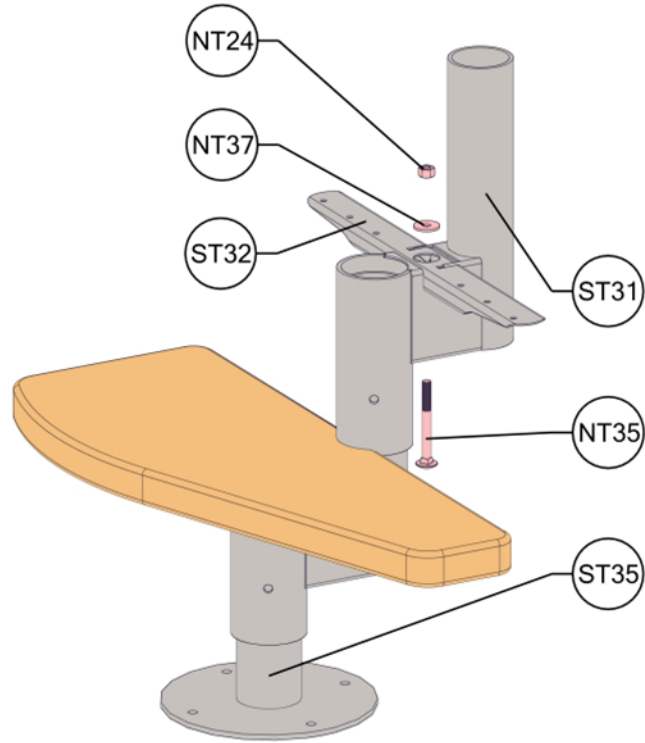
12



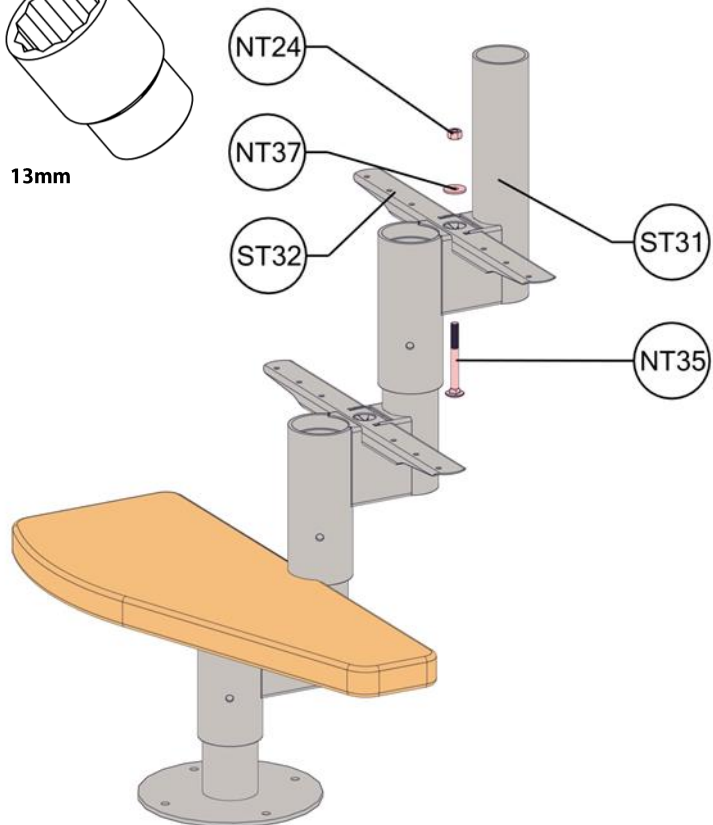
15



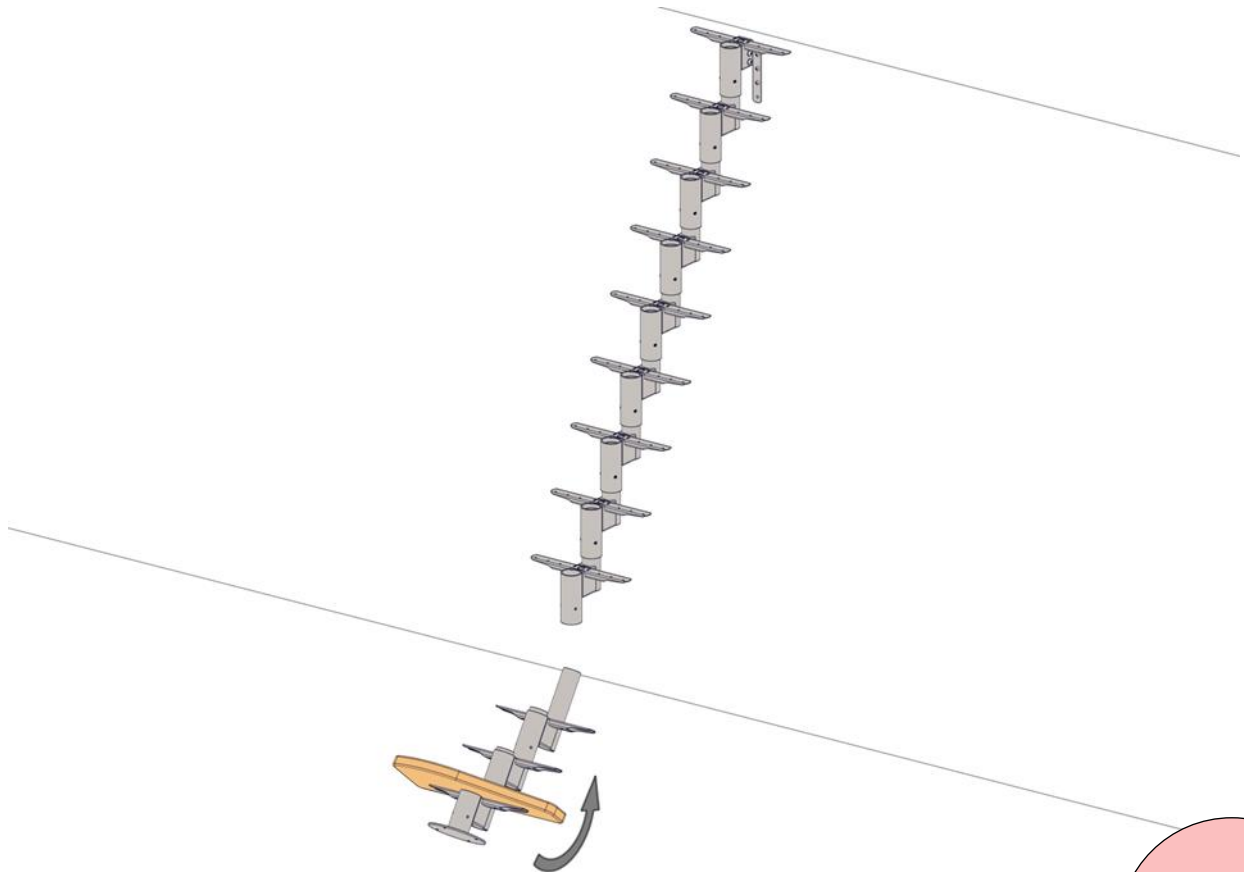
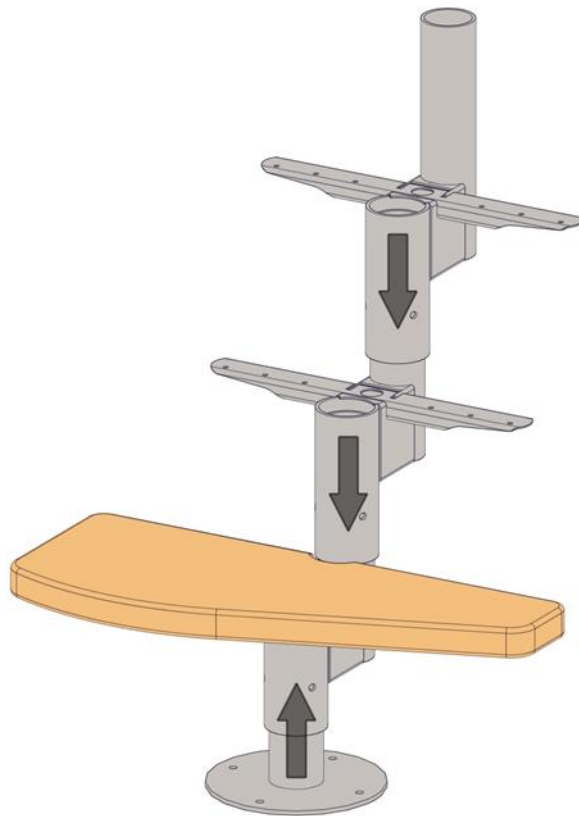
13mm



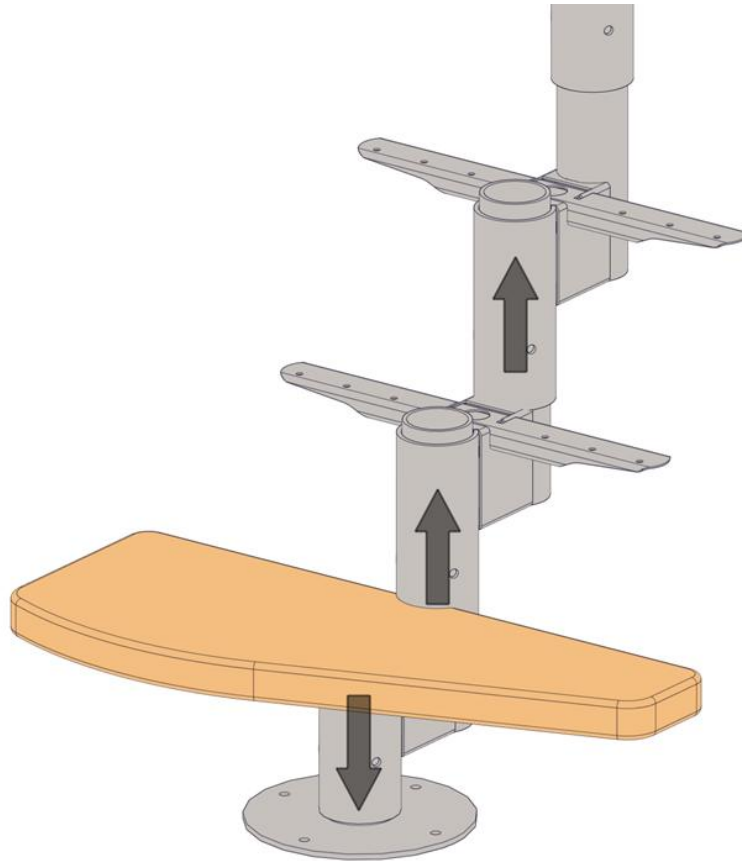
13mm



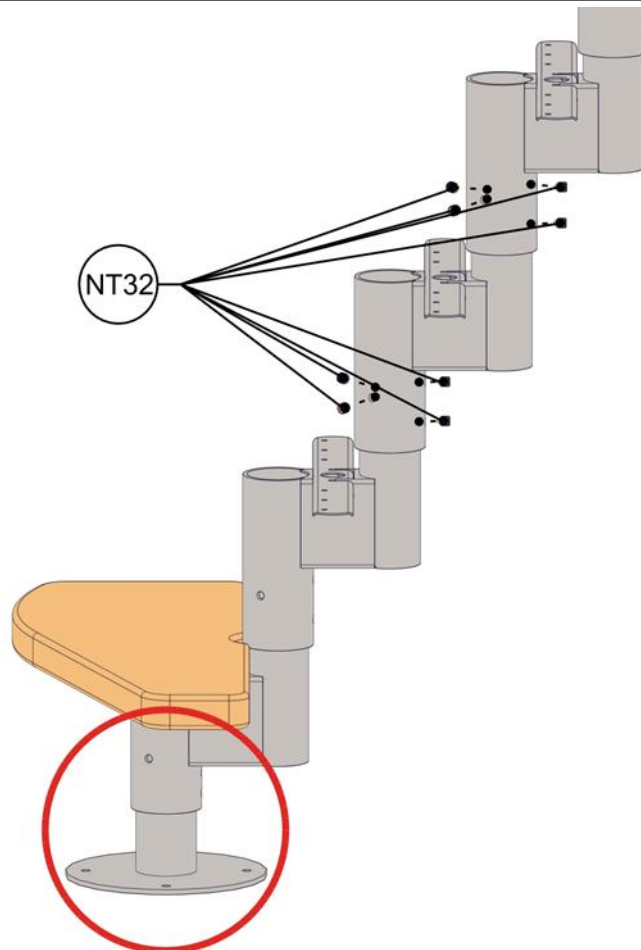
16



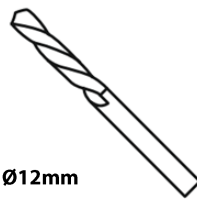
19



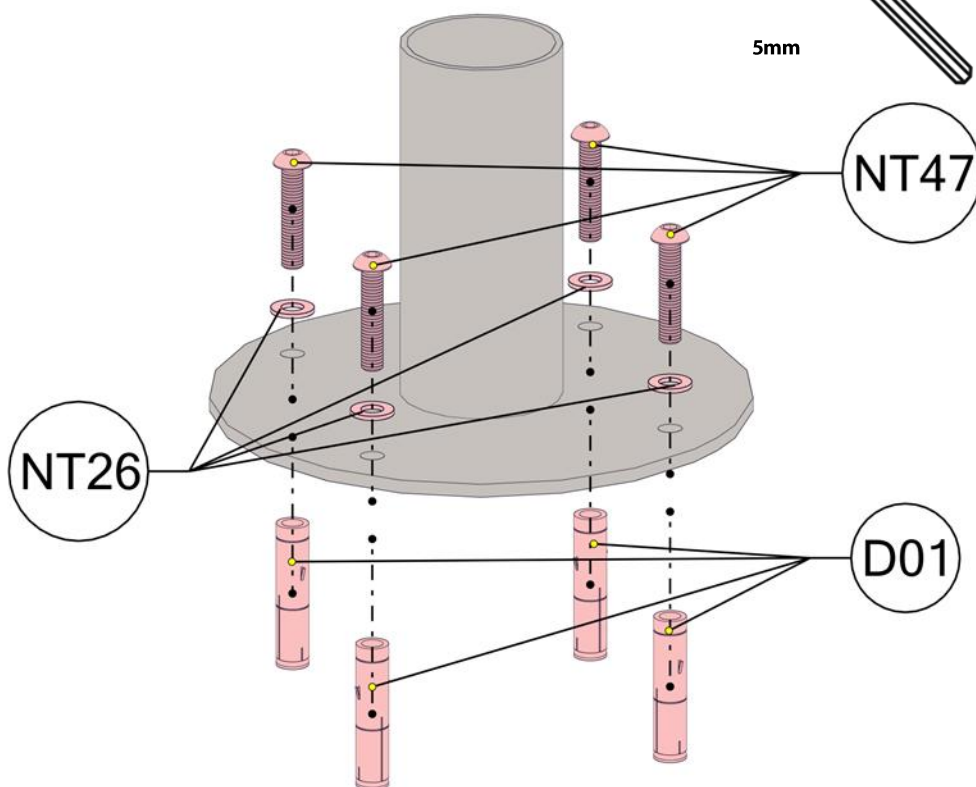
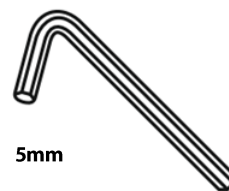
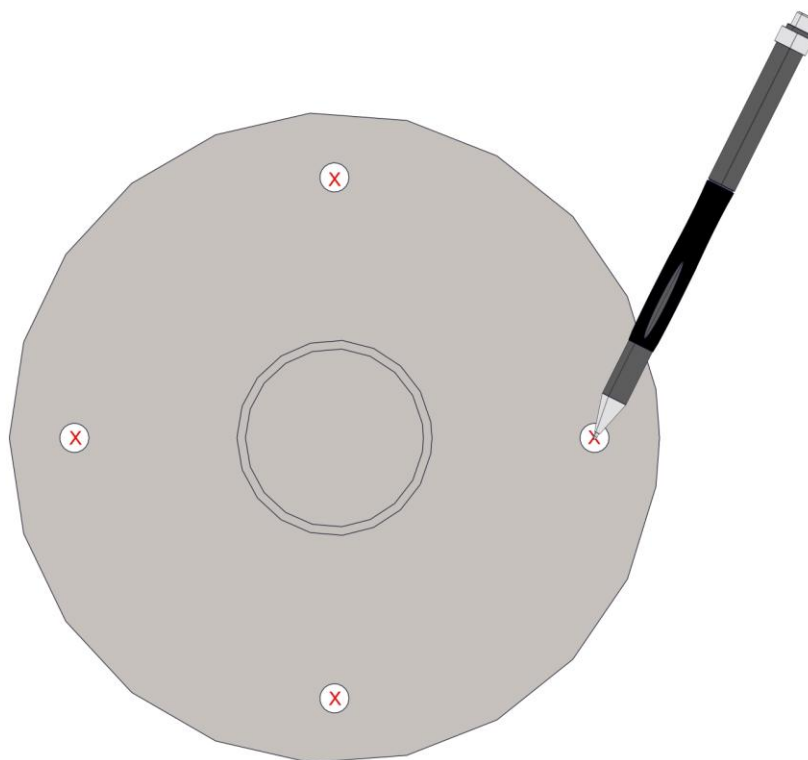
5mm



20

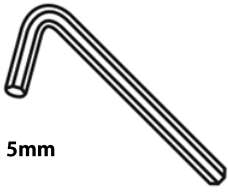


21

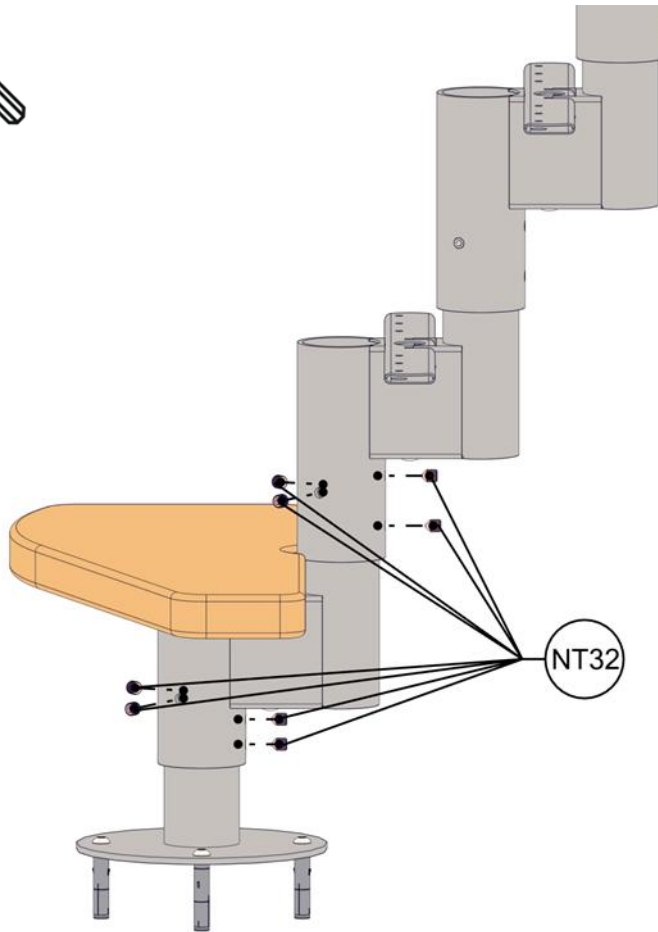


22

23



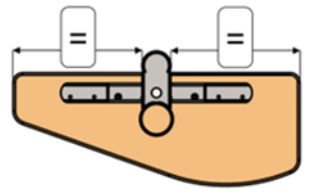
5mm



NT32

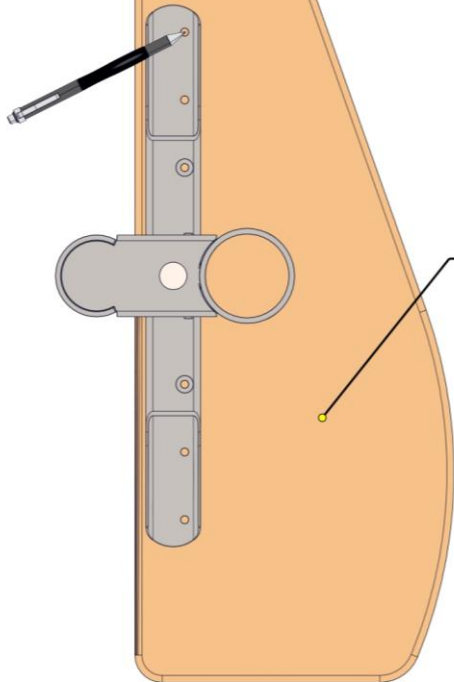
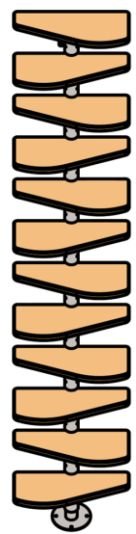


40mm



ST22

HS07

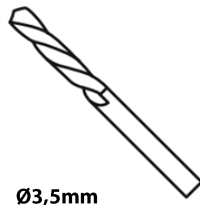
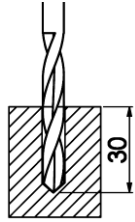
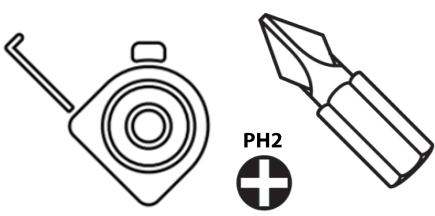


10 mm

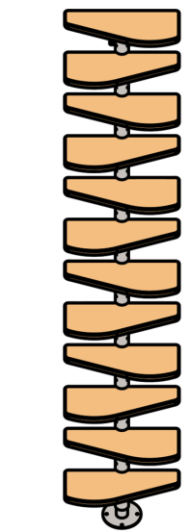
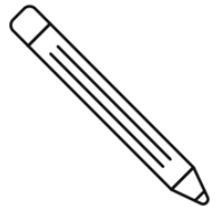
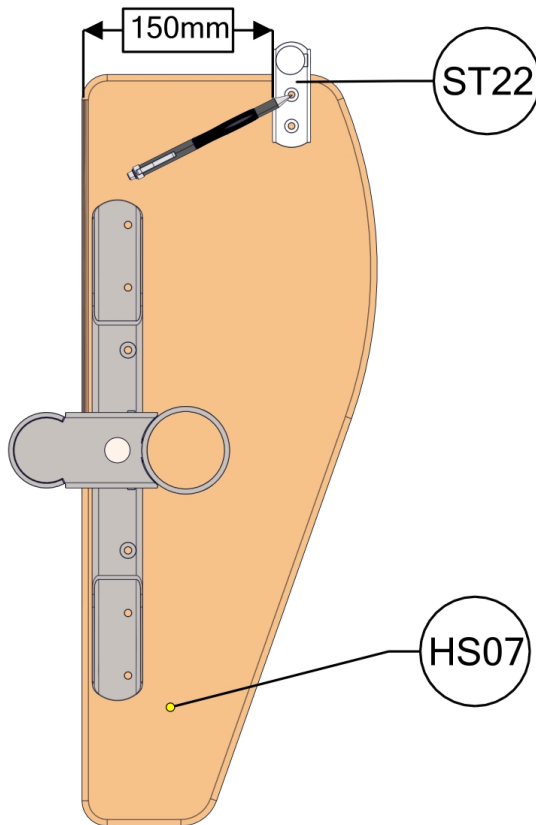
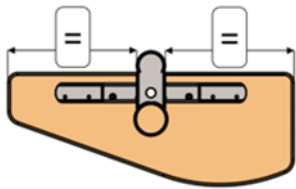
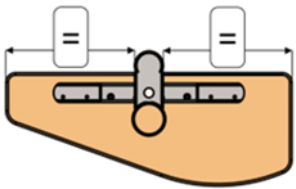
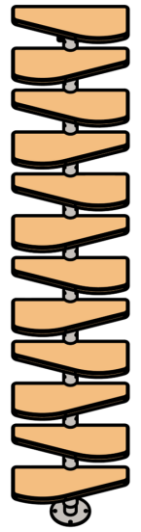
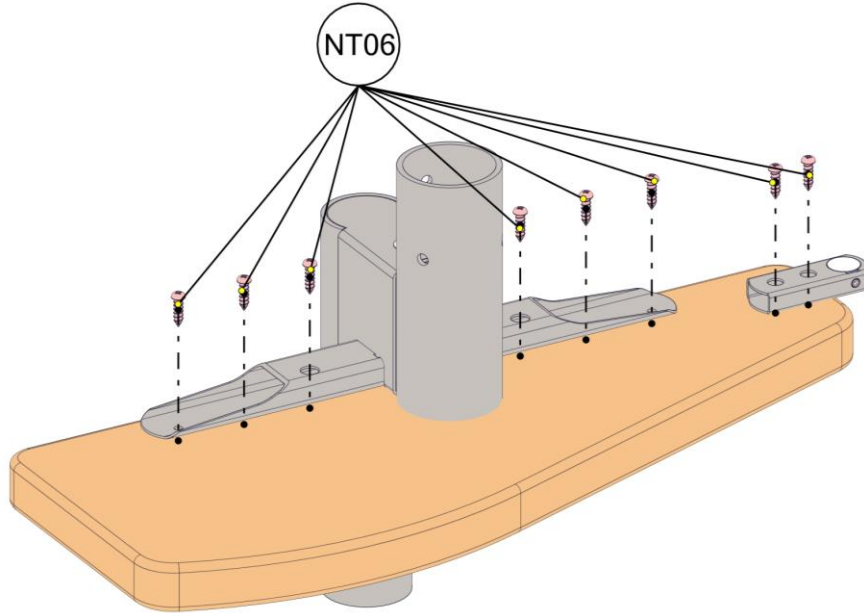
HS07
HS06

ST32

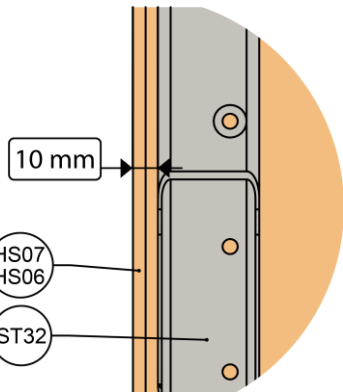
24



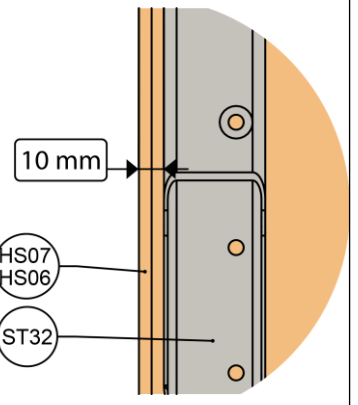
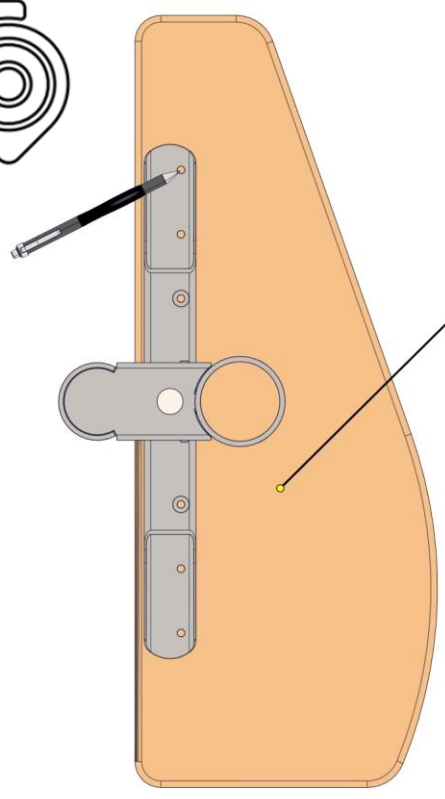
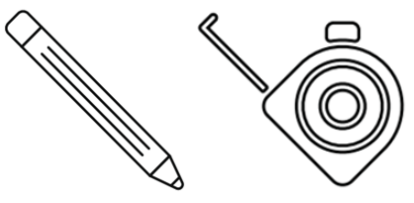
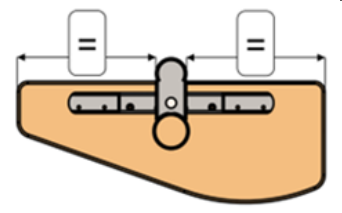
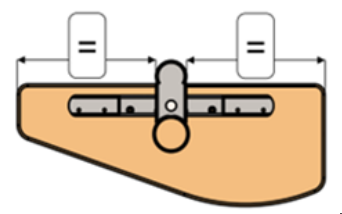
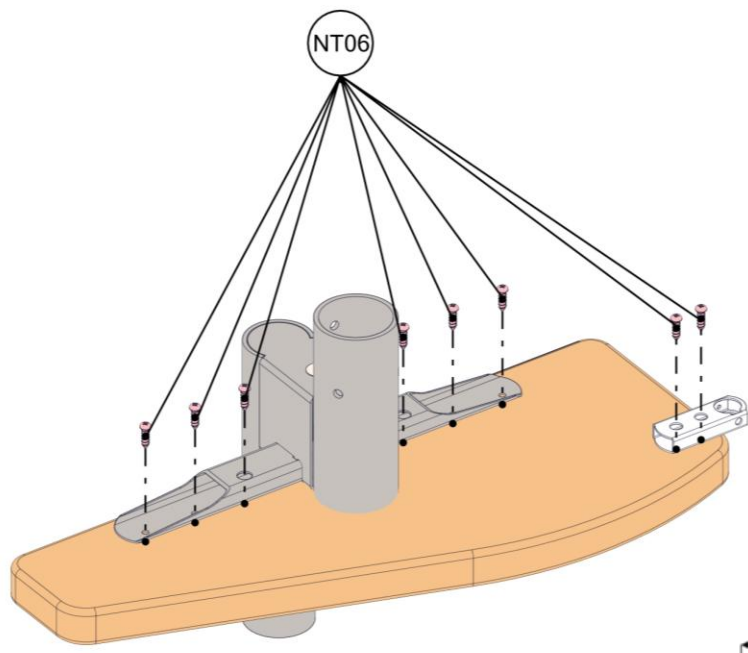
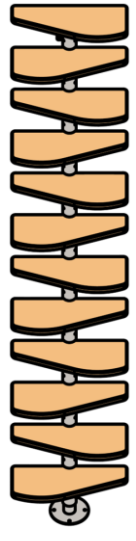
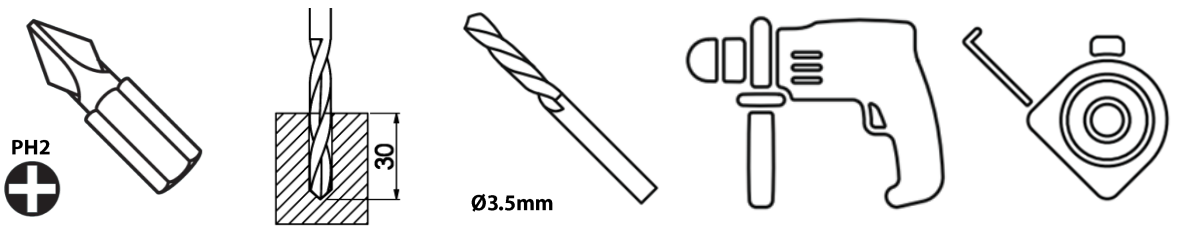
25



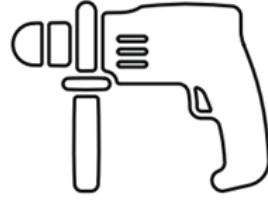
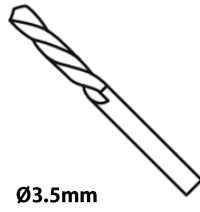
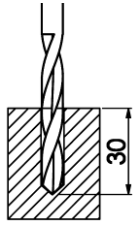
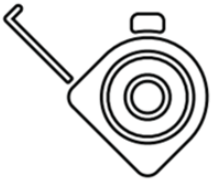
26



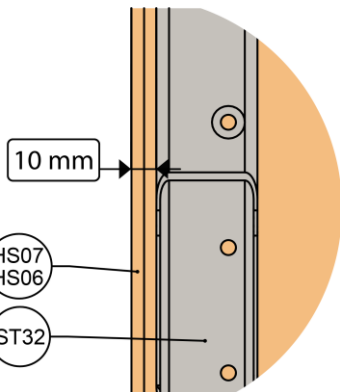
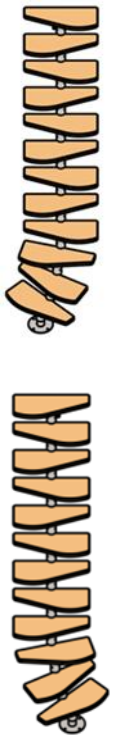
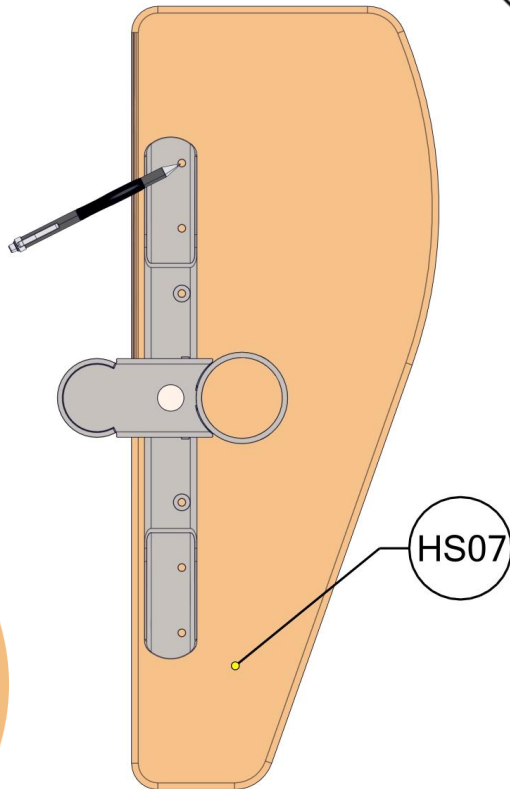
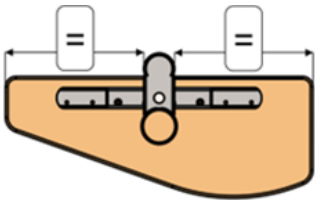
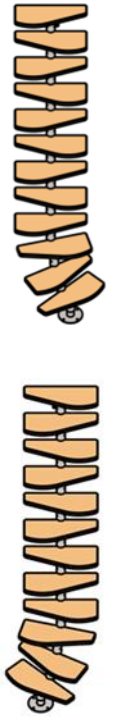
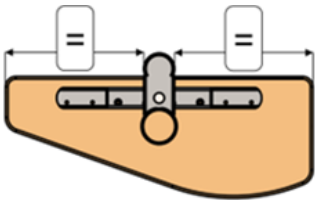
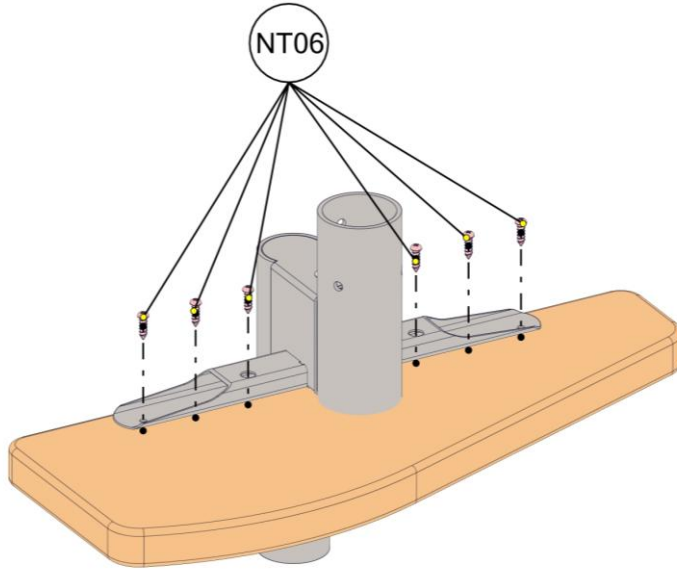
27



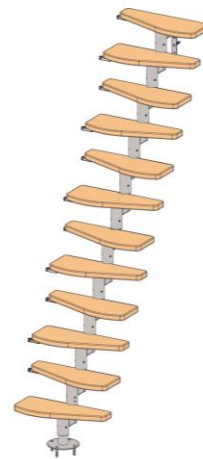
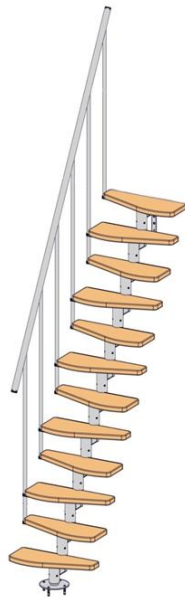
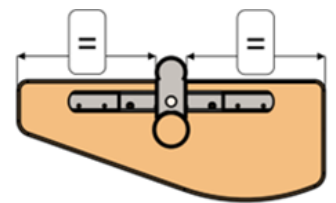
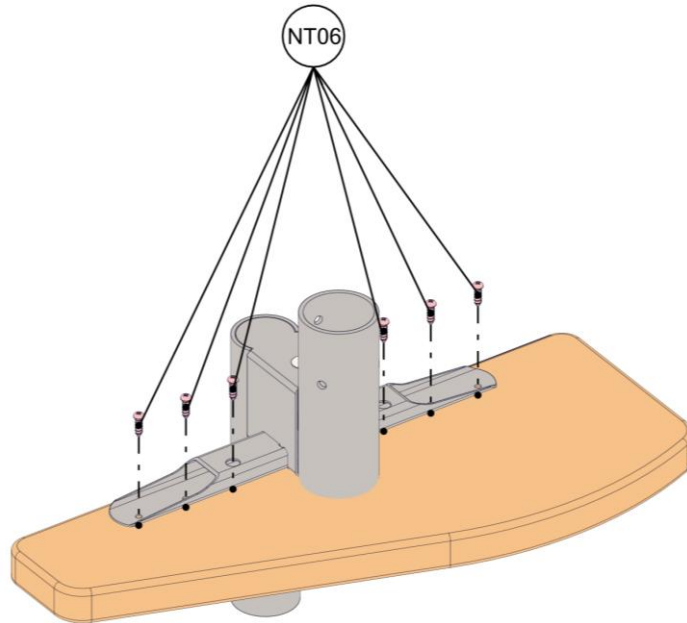
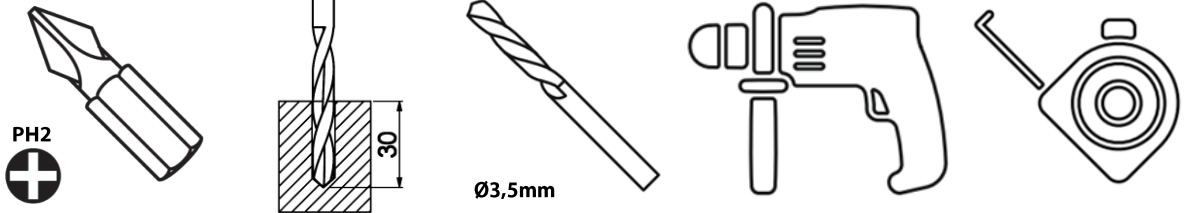
28



Ø3.5mm



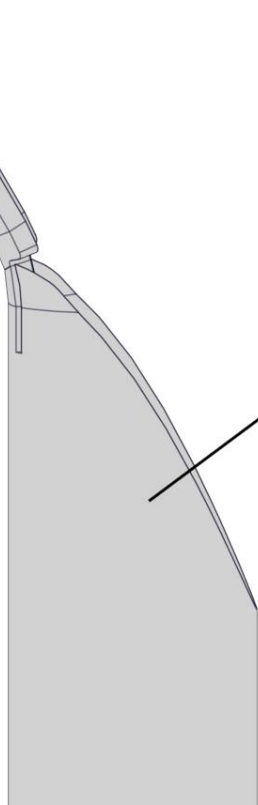
31



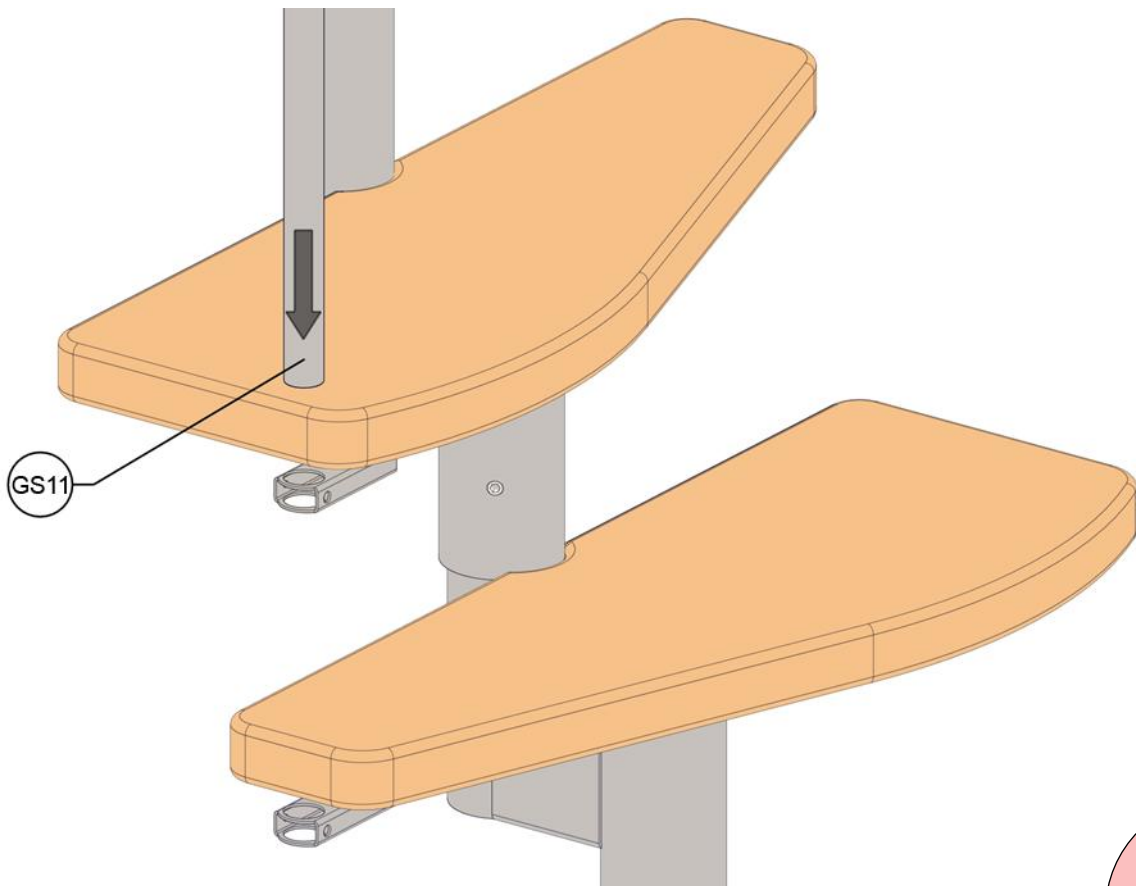
32



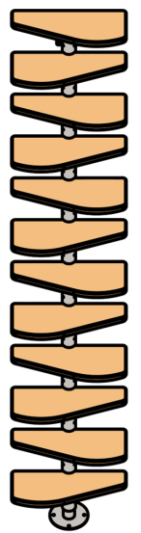
33



GS11

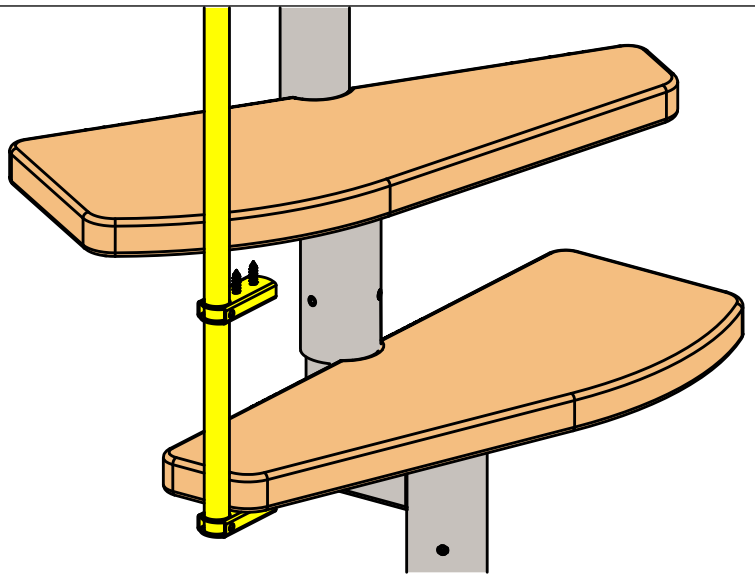
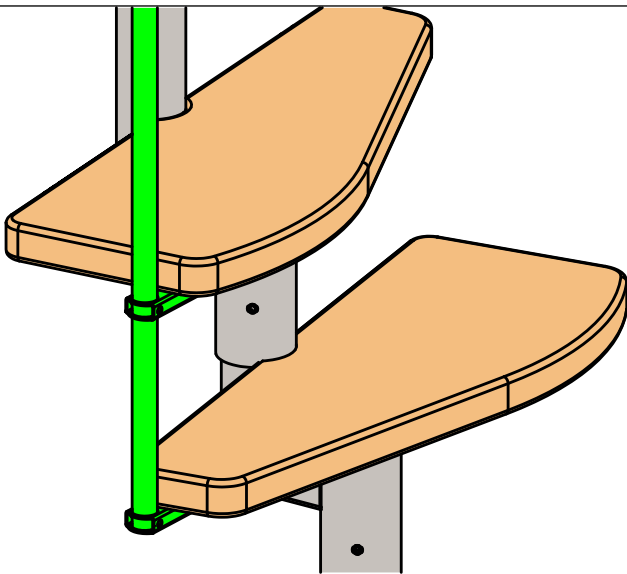
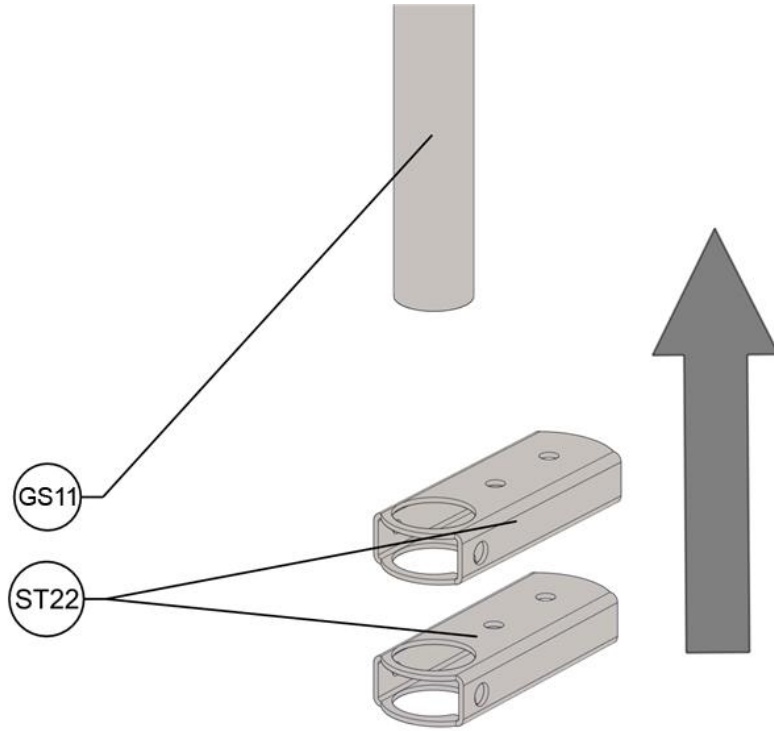
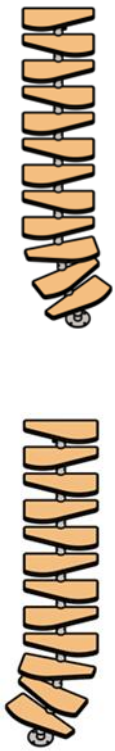


GS11

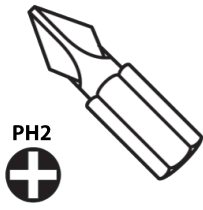


34

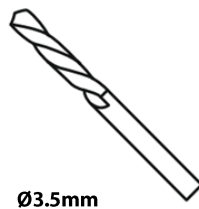
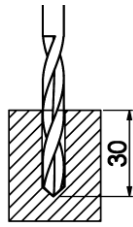
35



36



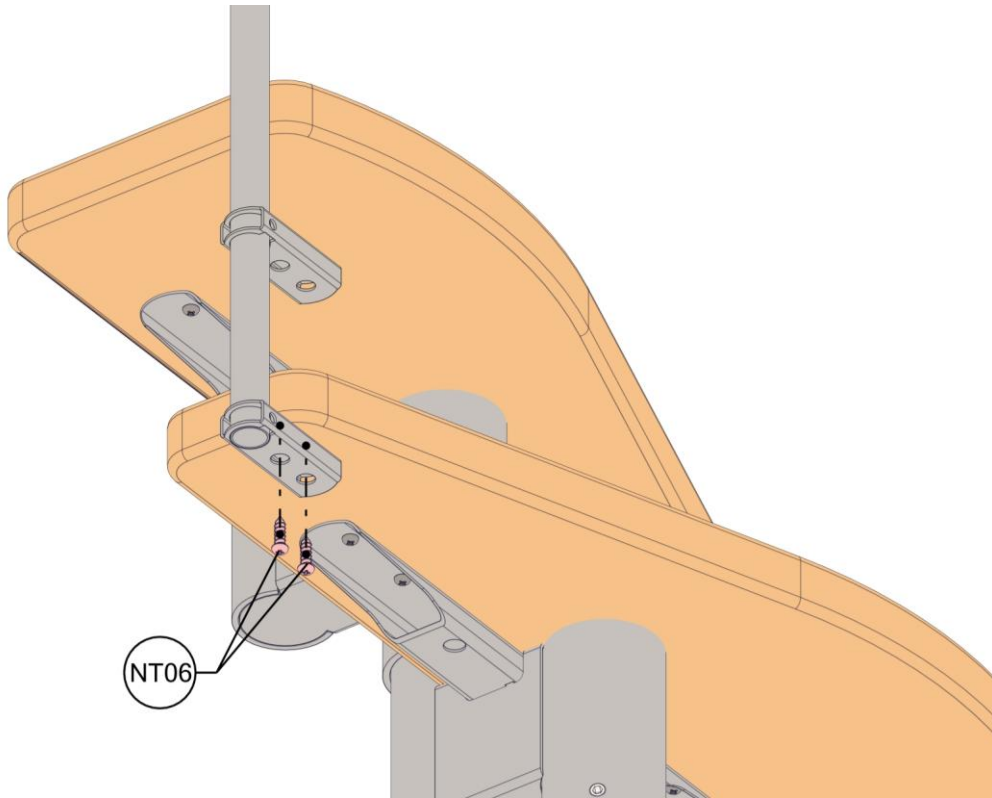
PH2



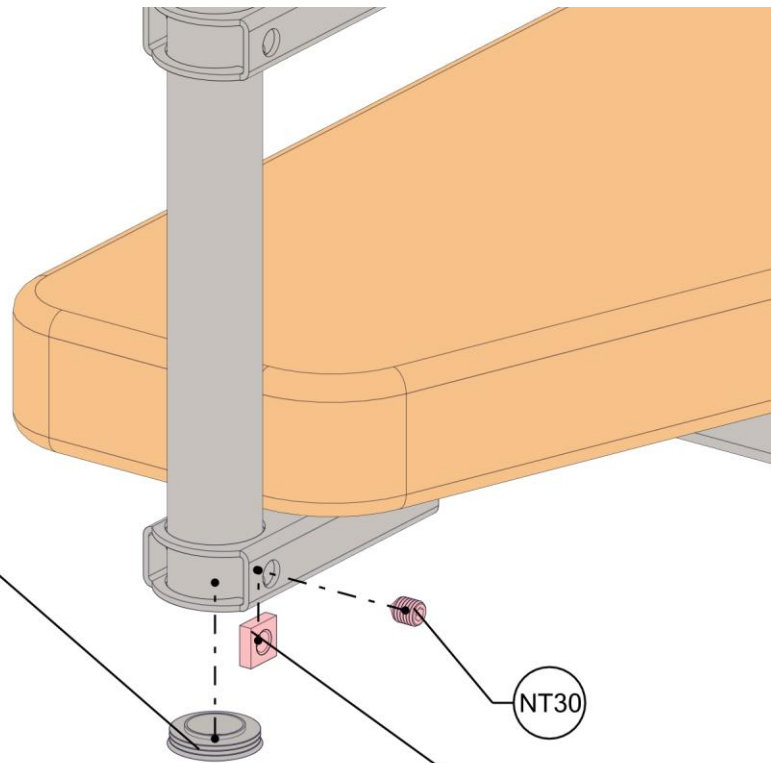
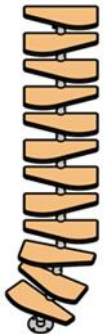
Ø3.5mm



37



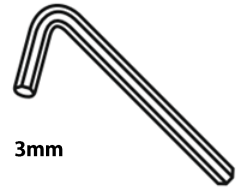
NT06



KS01

NT30

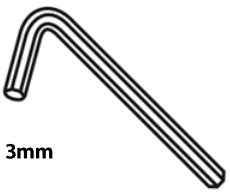
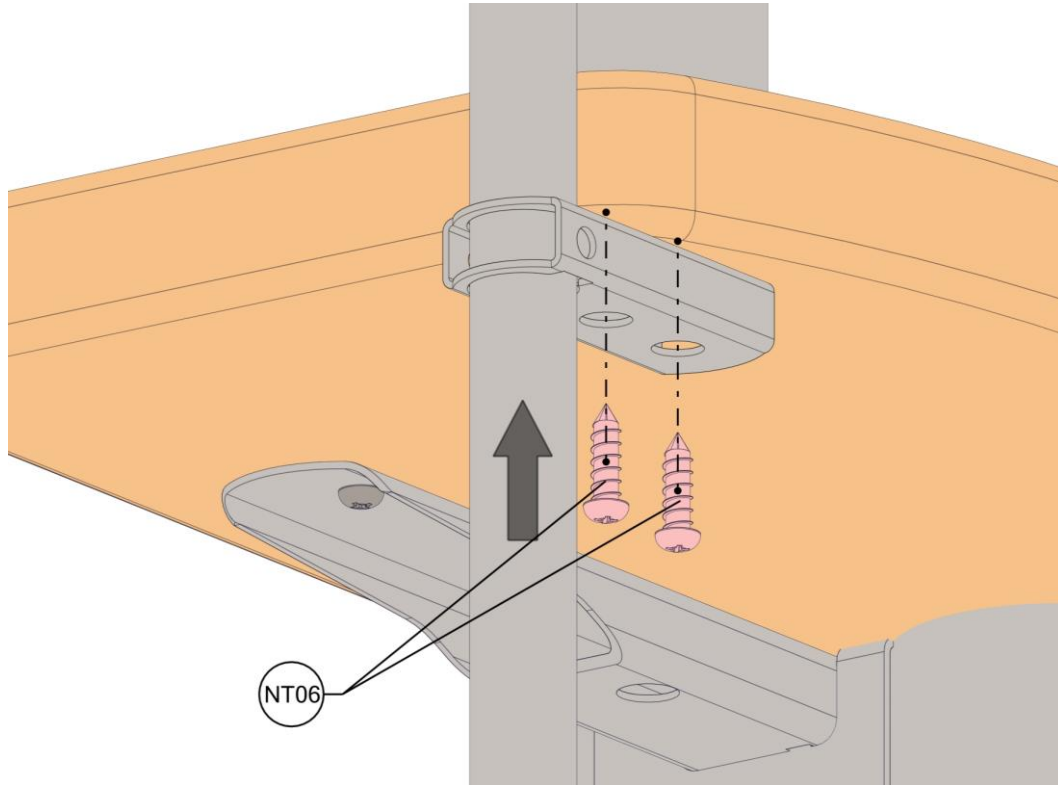
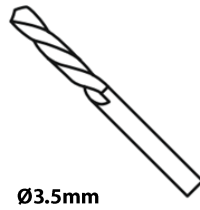
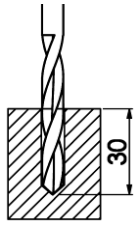
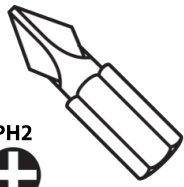
NT31



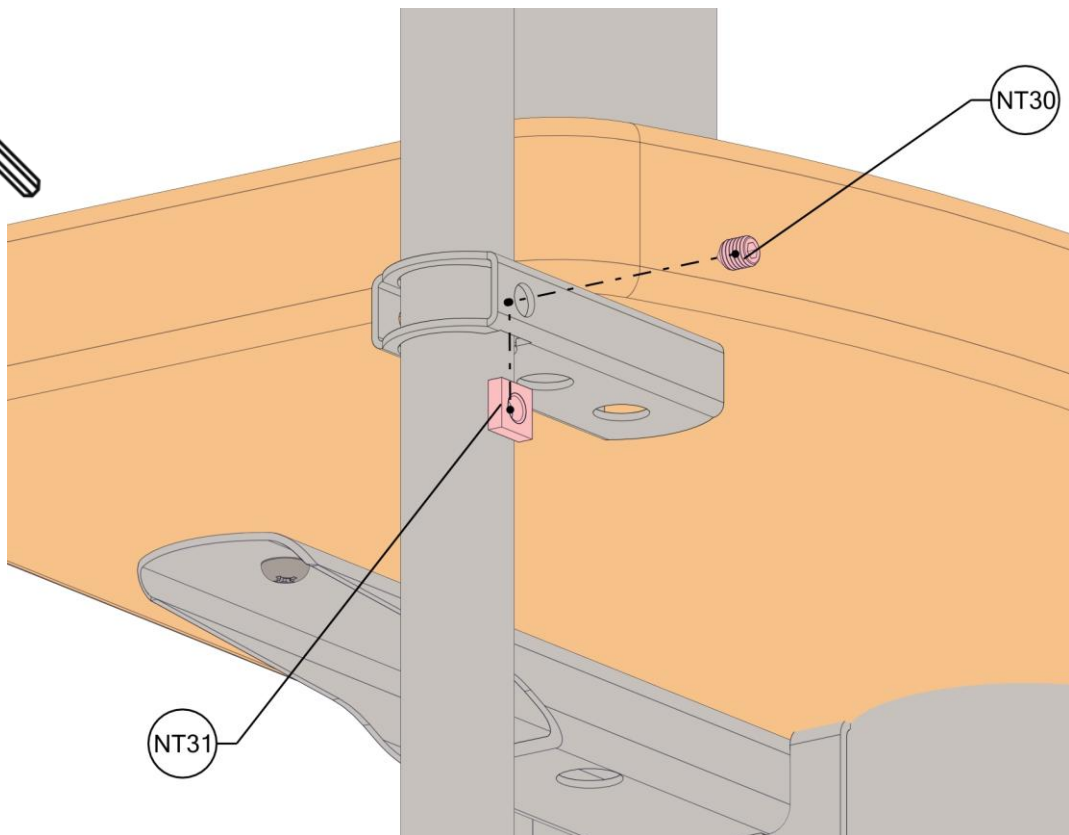
3mm

38

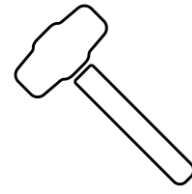
39



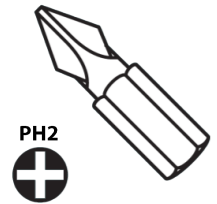
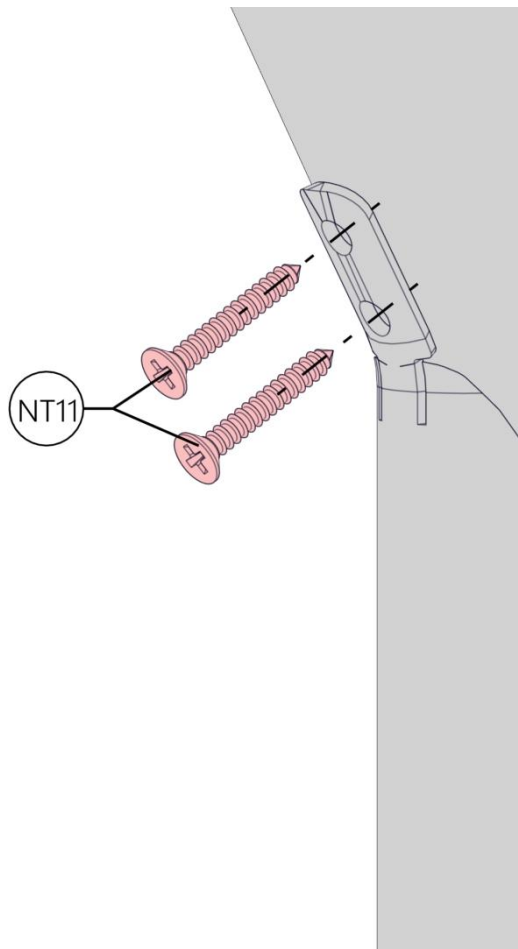
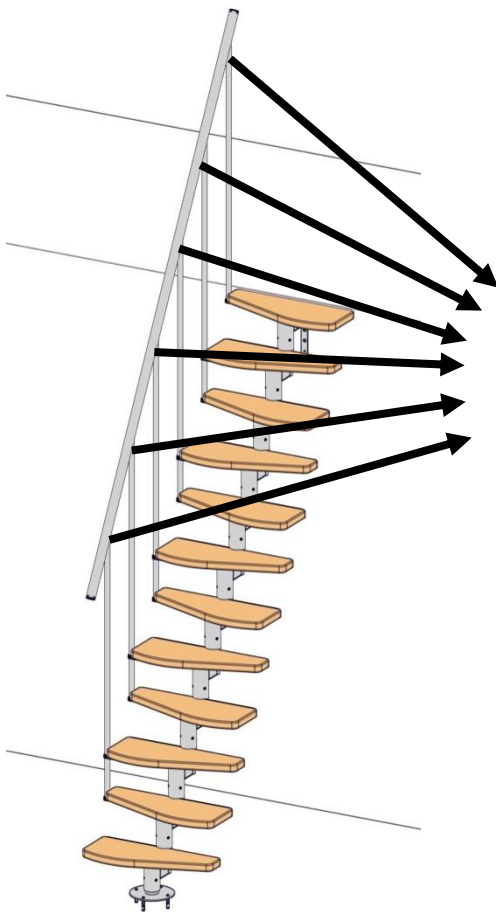
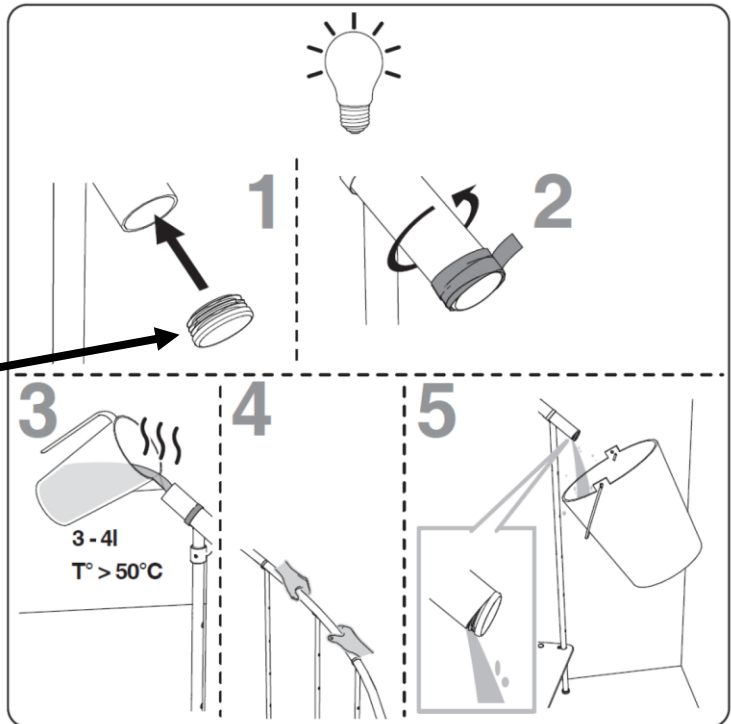
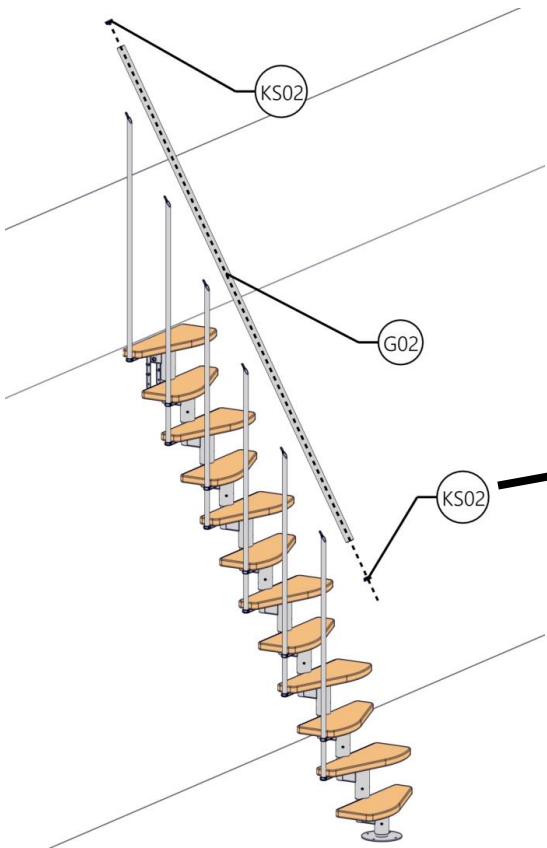
3mm



40



41



PH2

42