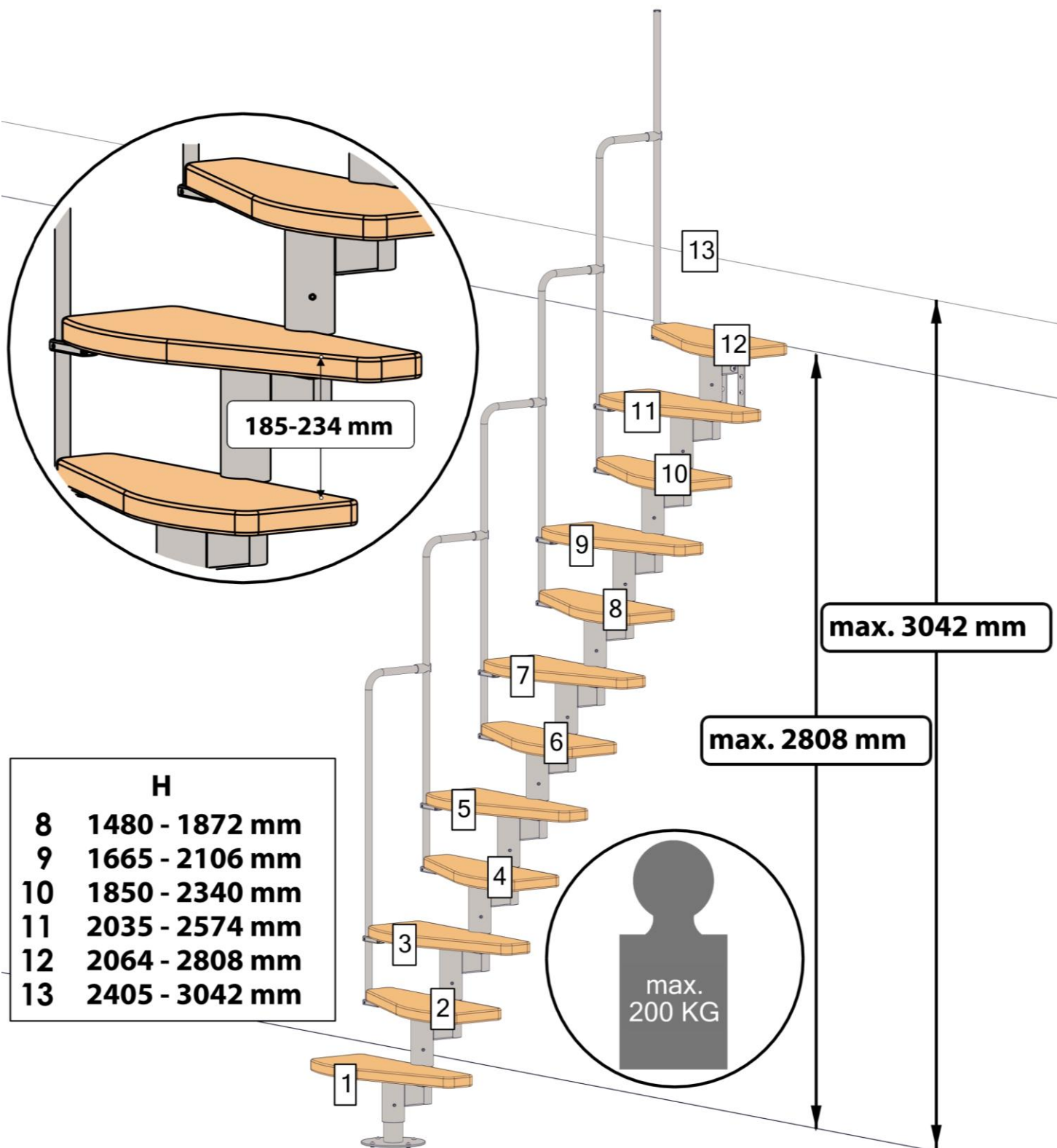


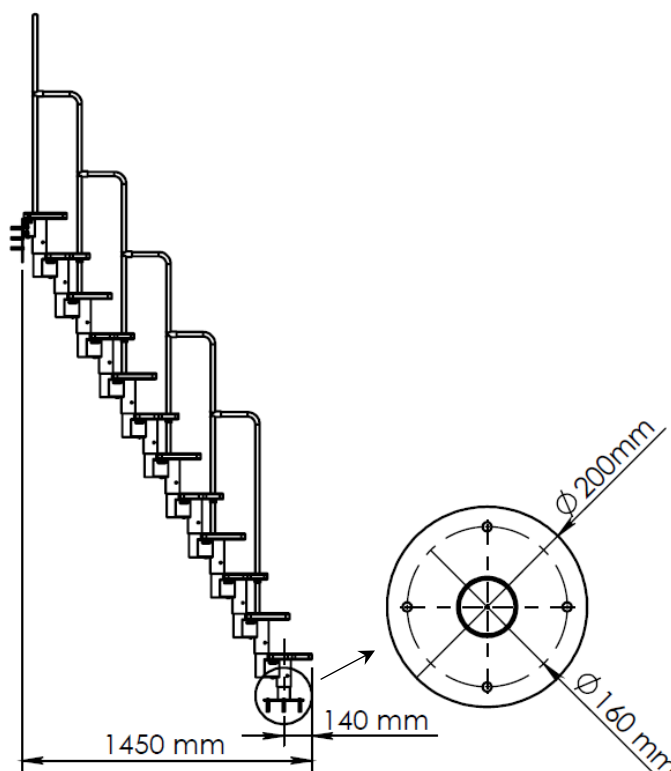
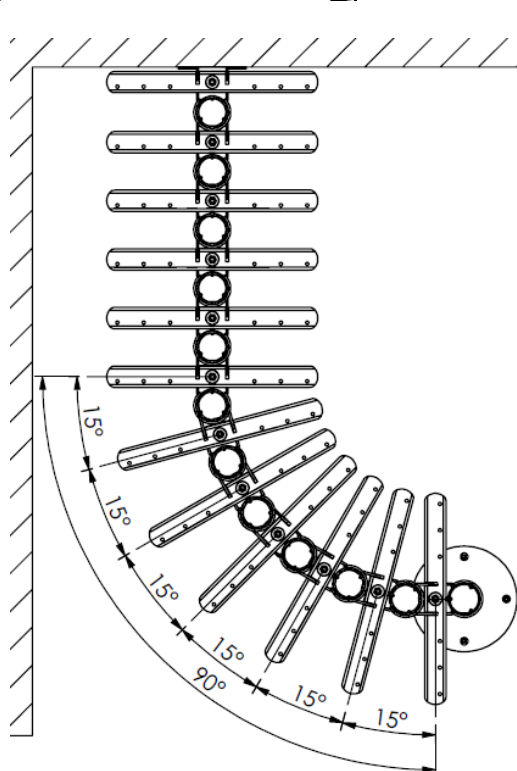
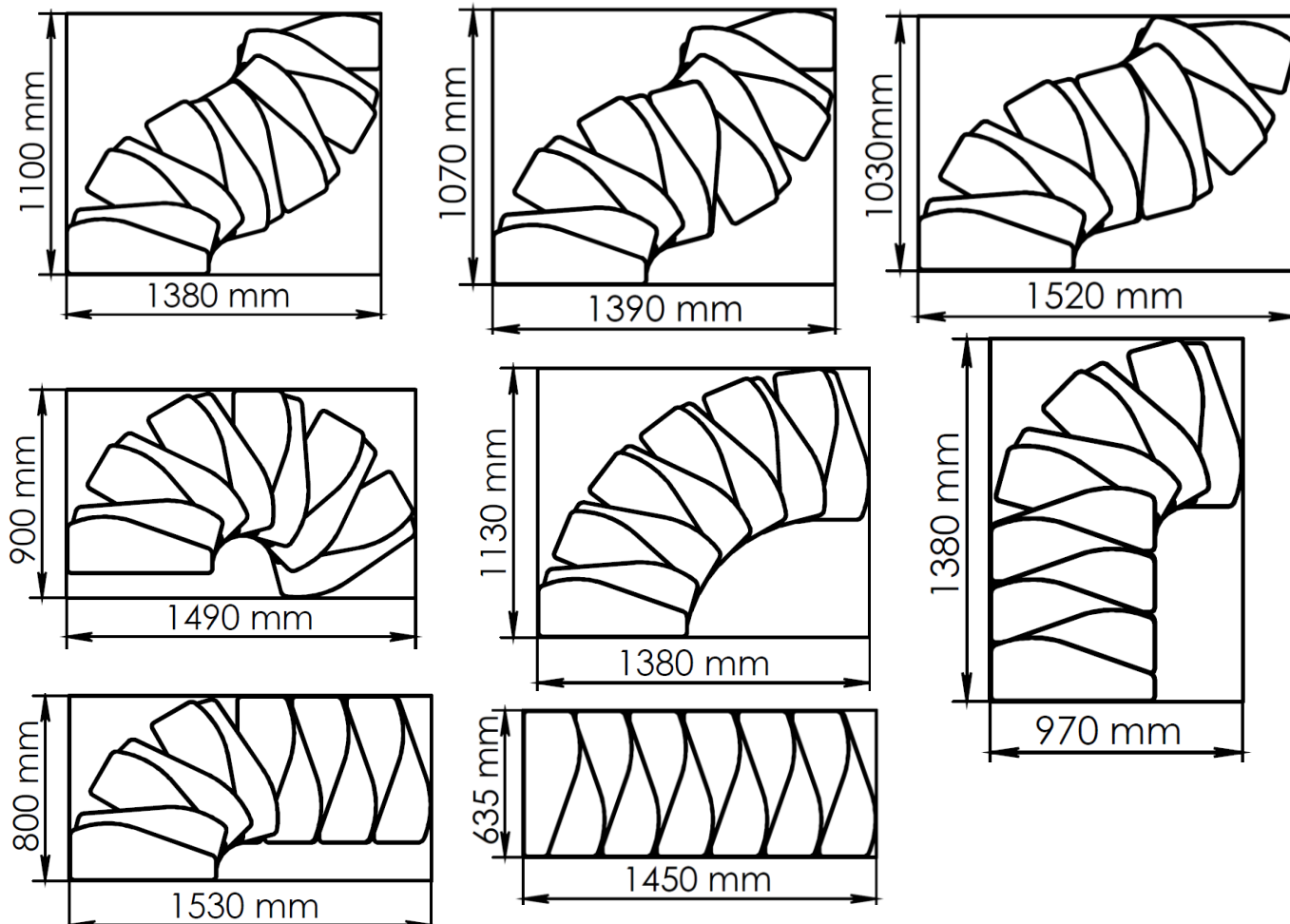
# EB-10044-01

# MONACO



# EB-10044-01

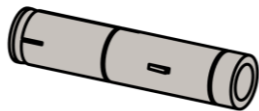
## MONACO



# EB-10044-01

## MONACO

10 x



D01 M8x55 mm

1 x



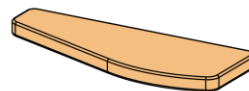
GS27 Ø22x1x1034mm

7 x



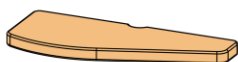
GS29 Ø22x1x1050x210mm

1 x



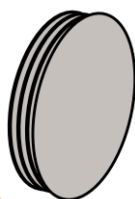
HS06

11 x



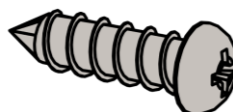
HS07

9 x



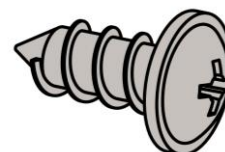
KS01 Ø22mm

102 x



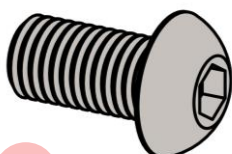
NT06 Ø5x30mm

14 x



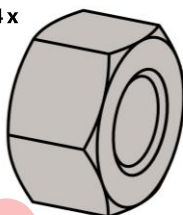
NT07 Ø4,2x19mm

4 x



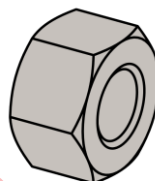
NT18 M10x20mm ISO7380

4 x



NT22 M10

12 x



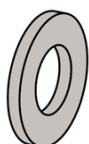
NT24 M8

8 x



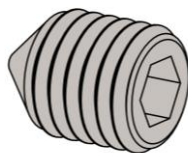
NT25 M10 DIN125A

10 x



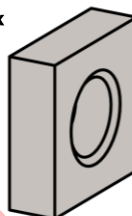
NT26 M8 DIN125A

15 x



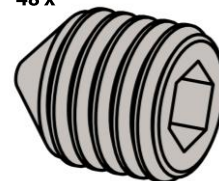
NT30 M5x6mm DIN914

15 x



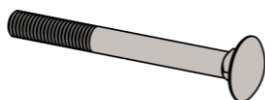
NT31 M5 DIN562

48 x



NT32 M10x8mm DIN914

12 x



NT35 M8x80mm ISO8677

12 x



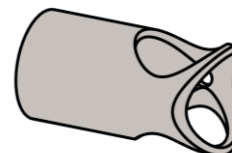
NT37 M8 DIN9021

10 x



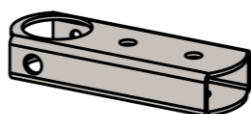
NT47 M8x60mm ISO7380-1

7 x



ST07

15 x



ST22

10 x



ST31

12 x



ST32

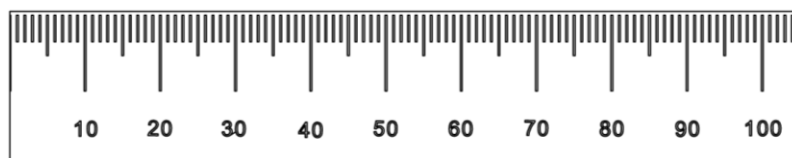
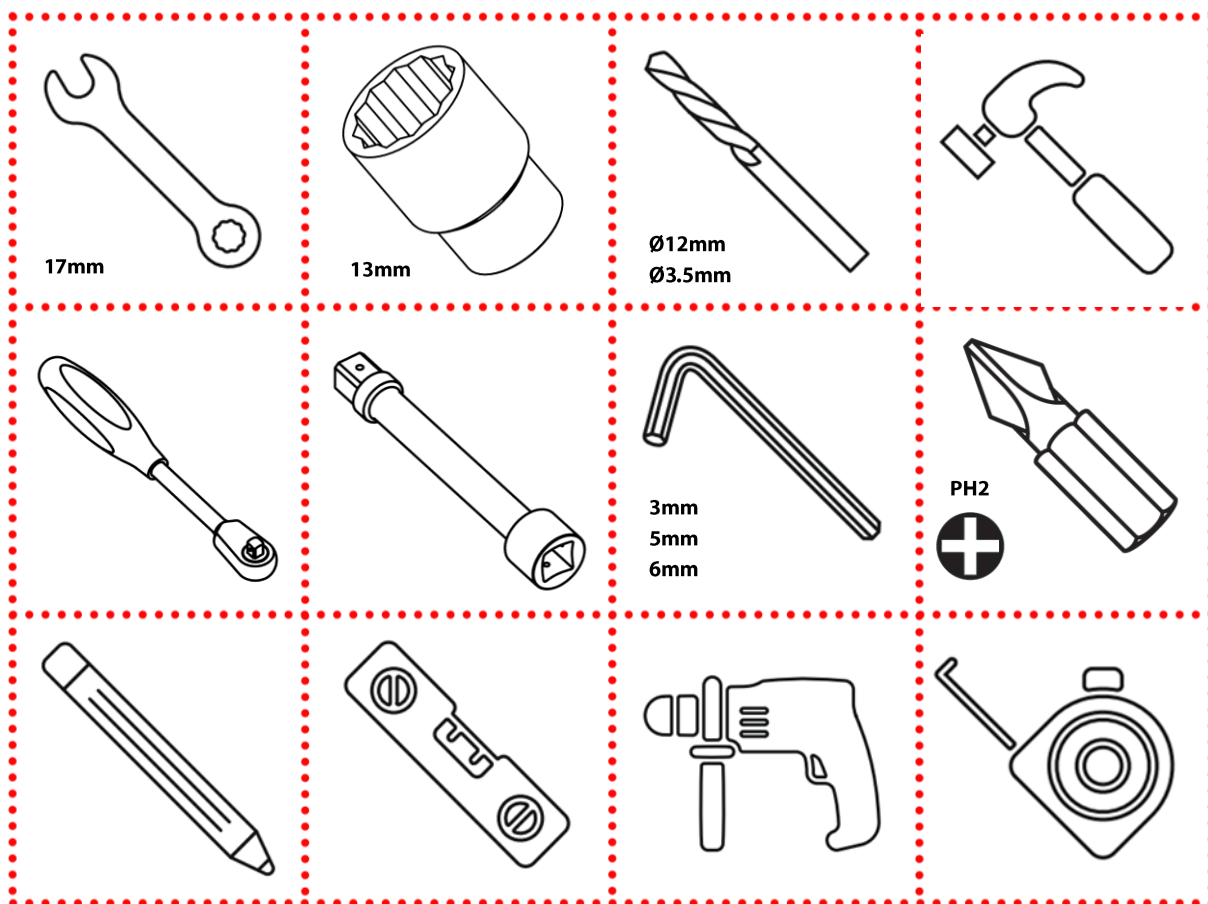
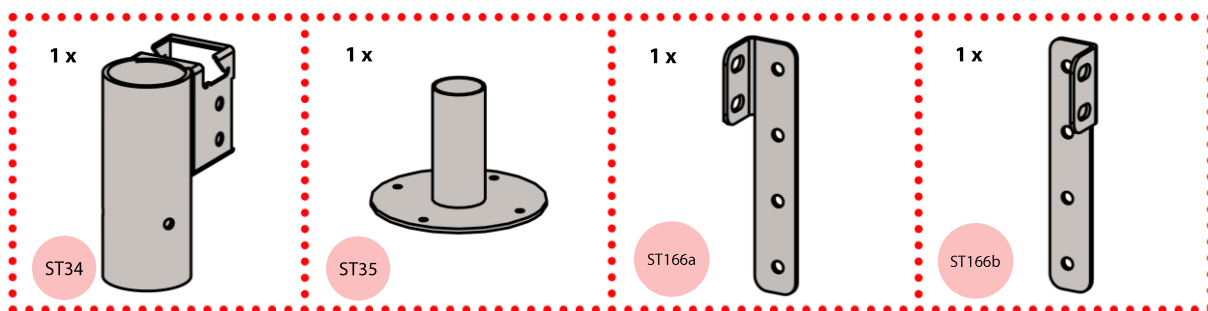
1 x

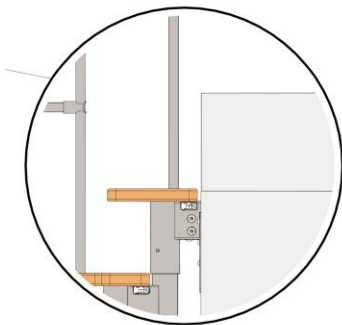
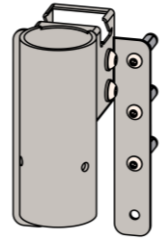
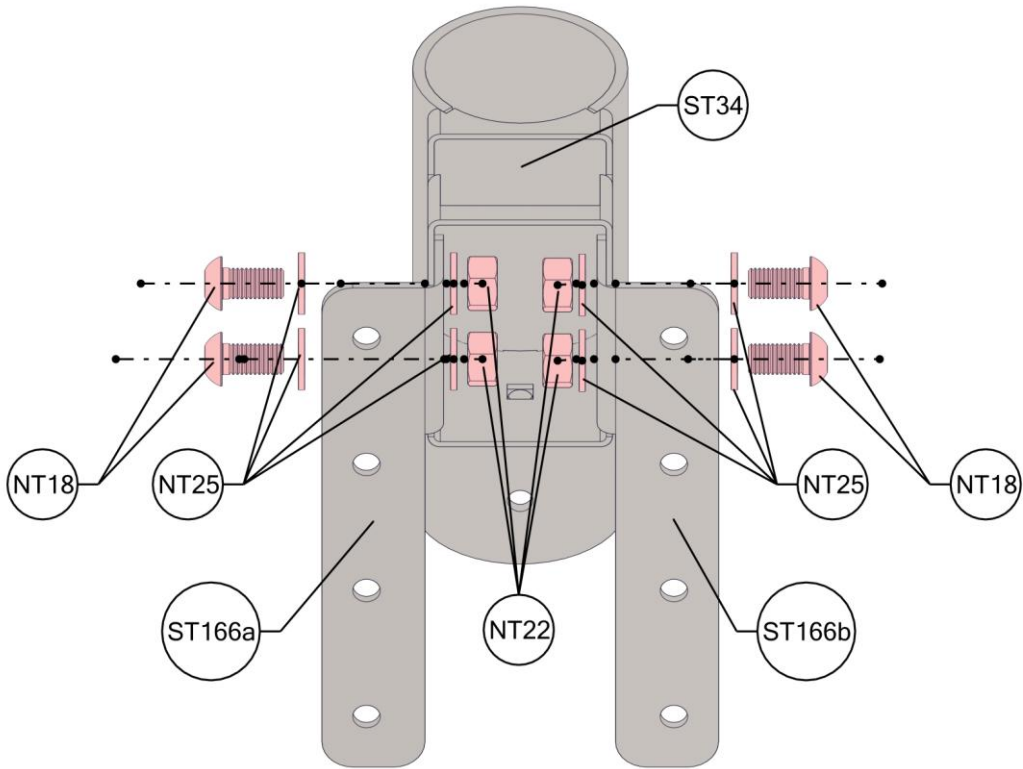
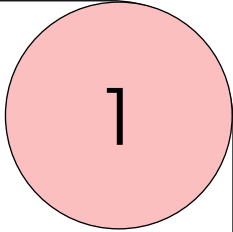
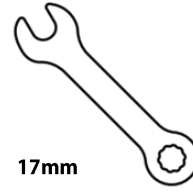
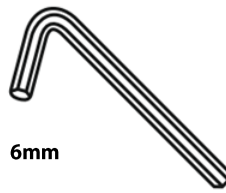


ST33

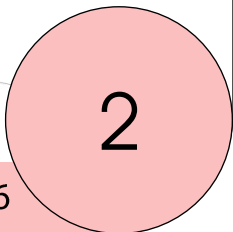
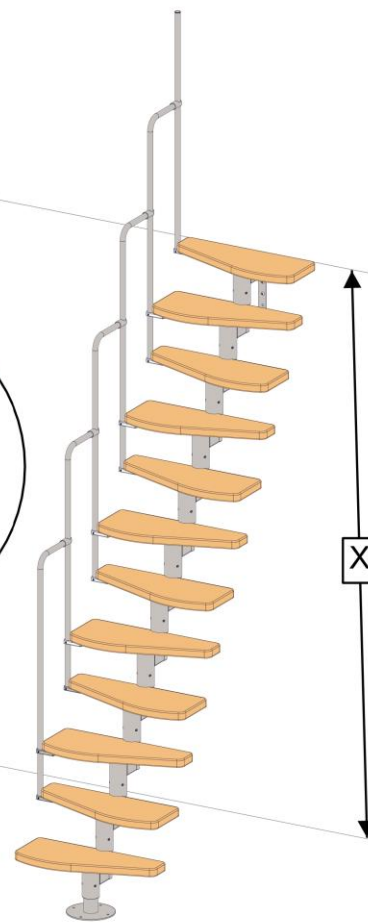
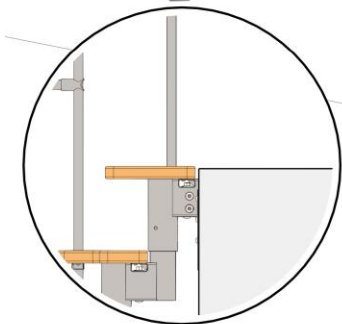
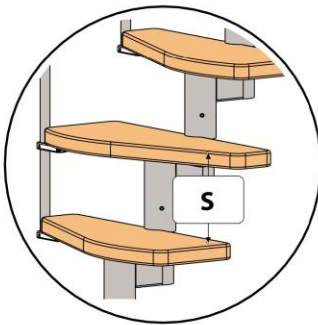
# EB-10044-01

## MONACO

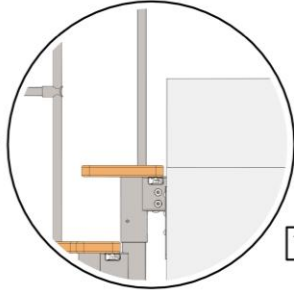
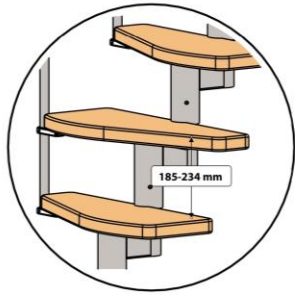
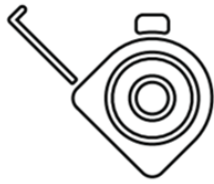




$$\begin{matrix} X/13 = S \\ X/12 = S \end{matrix}$$

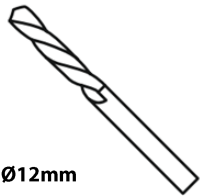
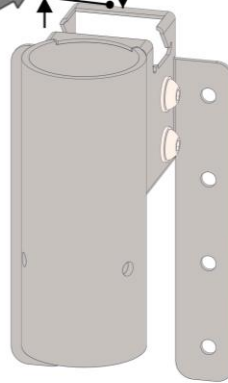
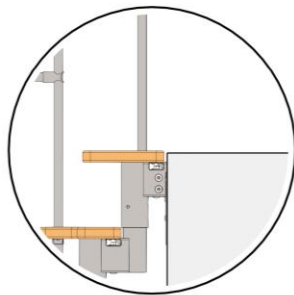


3

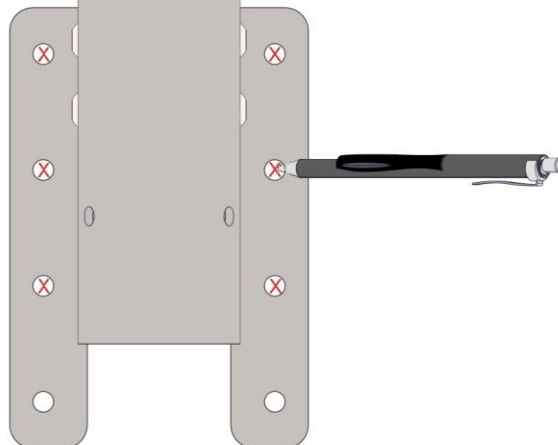
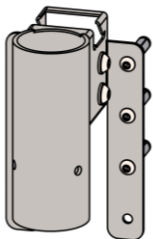
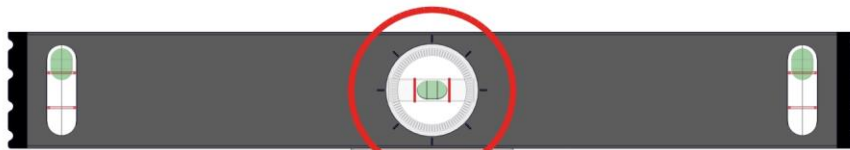
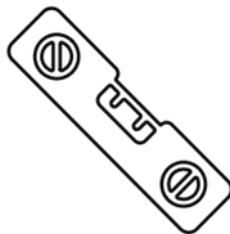


13xS: (185mm ↔ 234mm) + 35mm

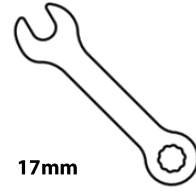
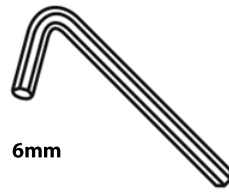
12xS:35mm



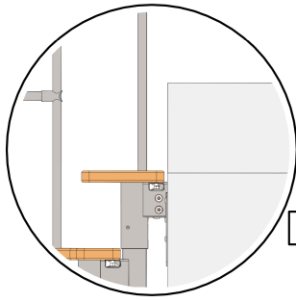
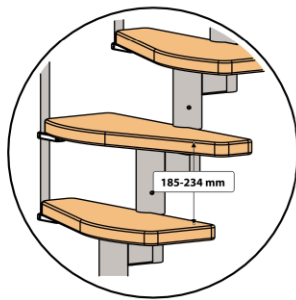
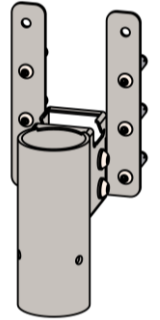
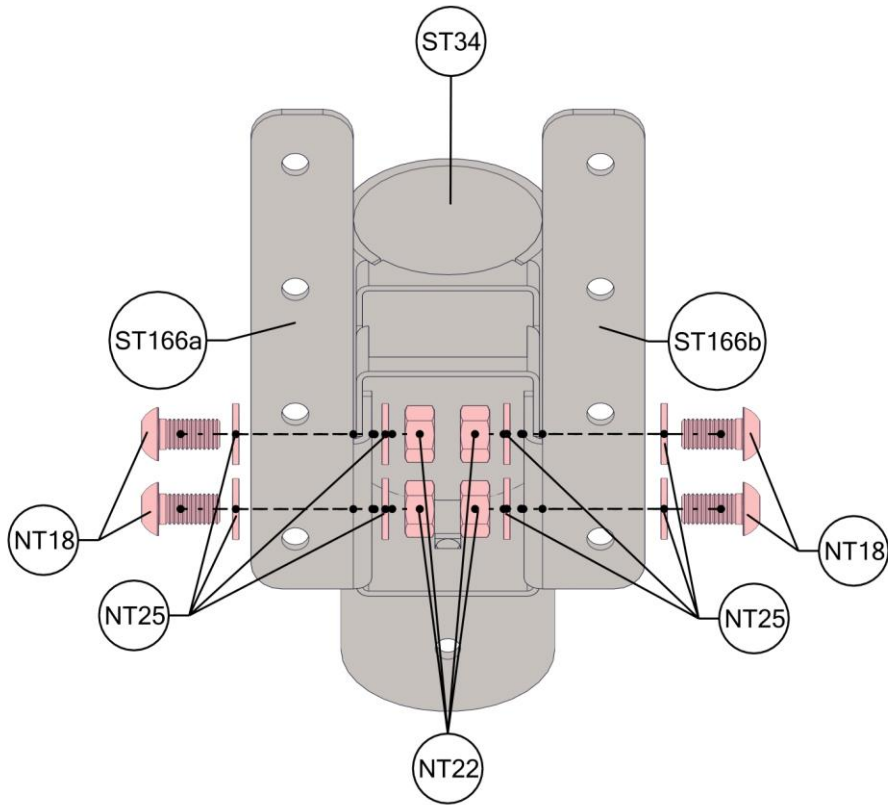
Ø12mm



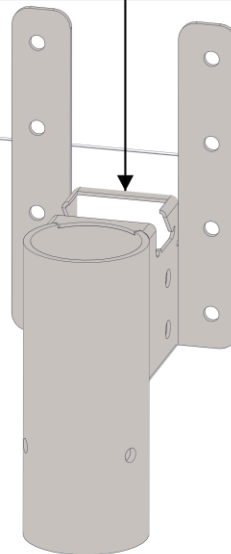
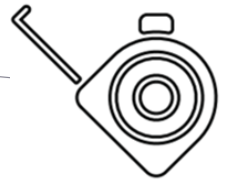
4



5



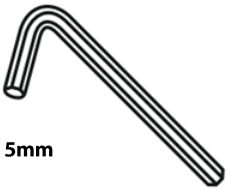
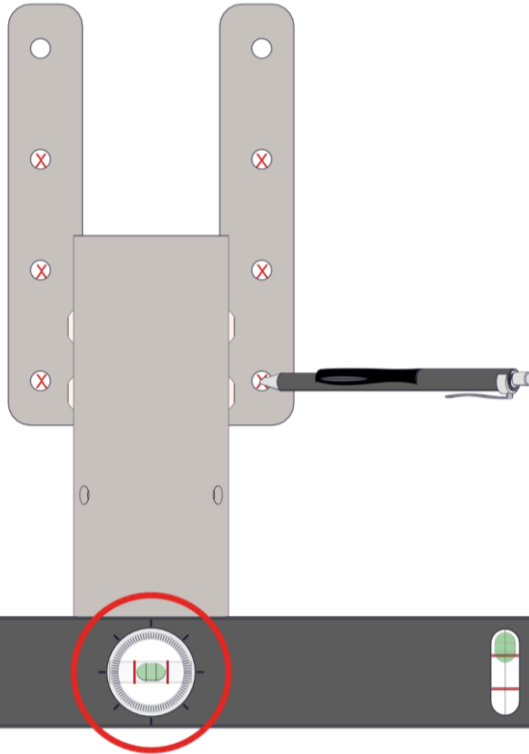
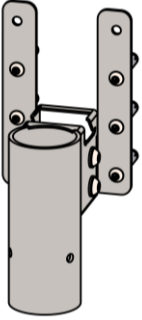
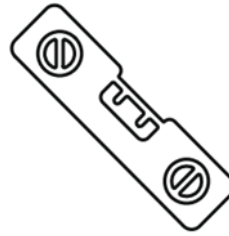
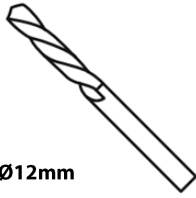
13xS: (185mm ↔ 234mm) + 35mm



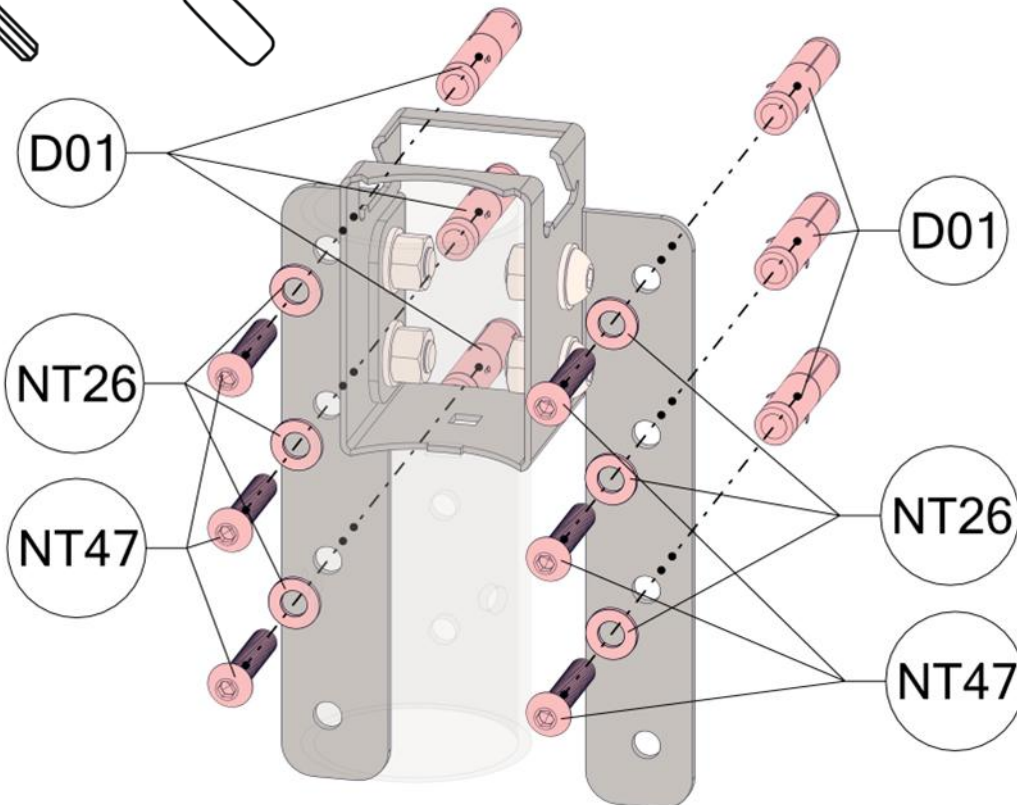
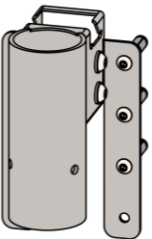
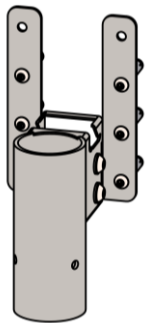
6

7

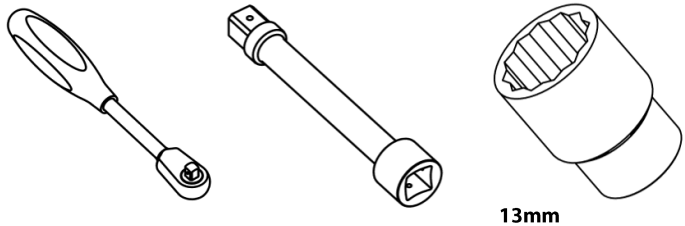
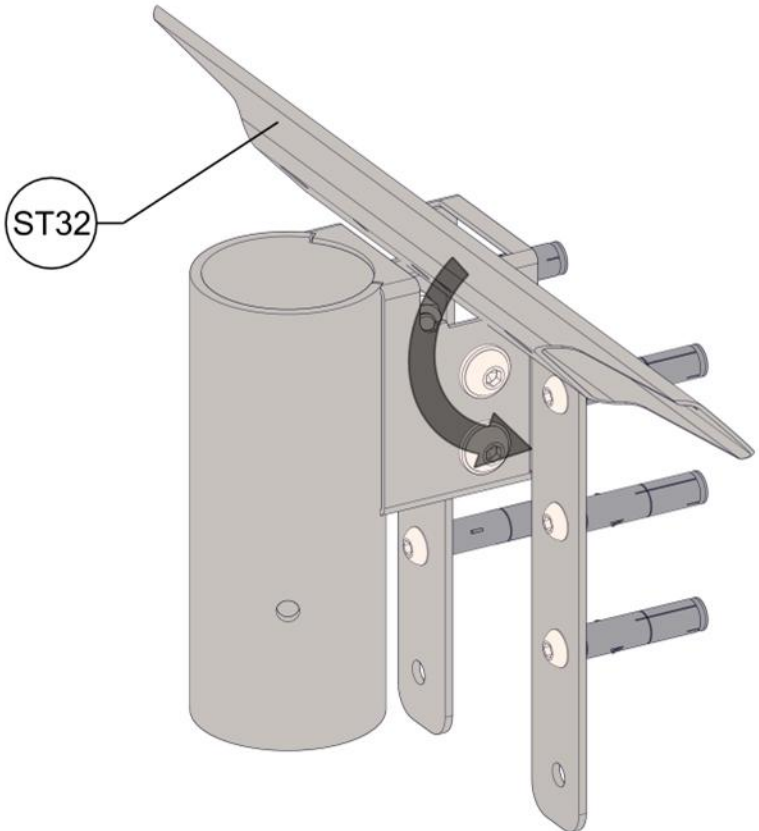
Ø12mm



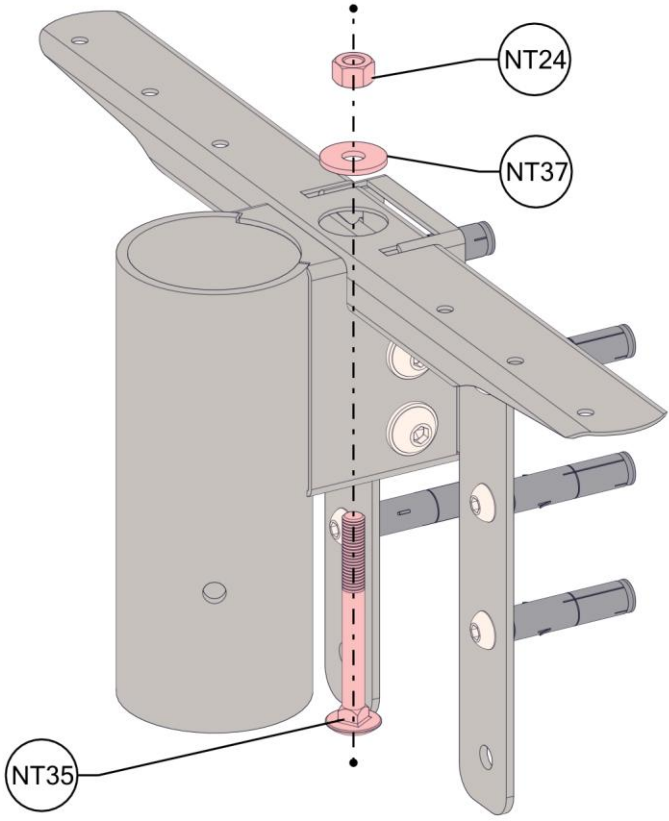
5mm



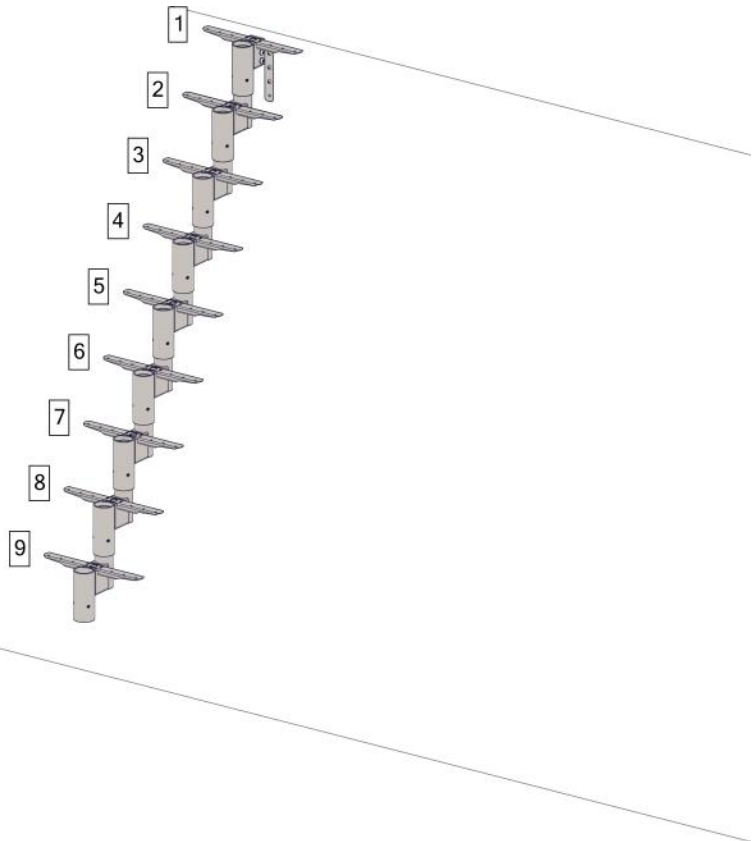
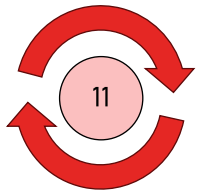
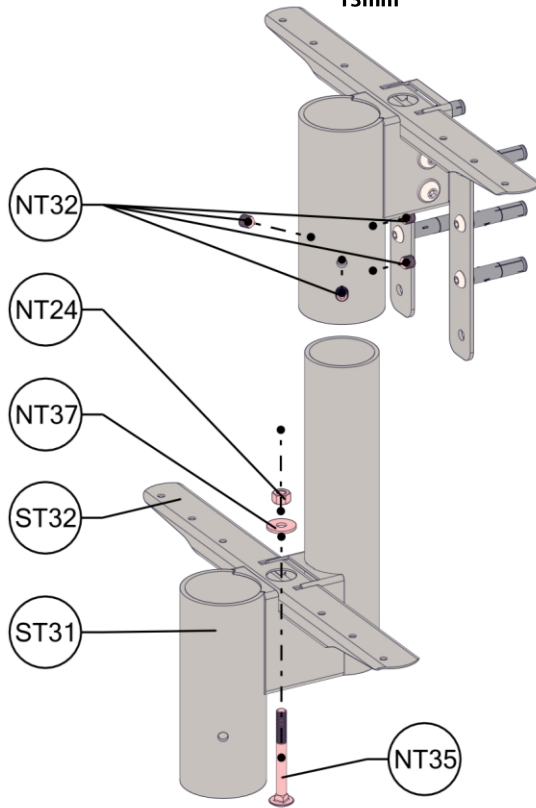
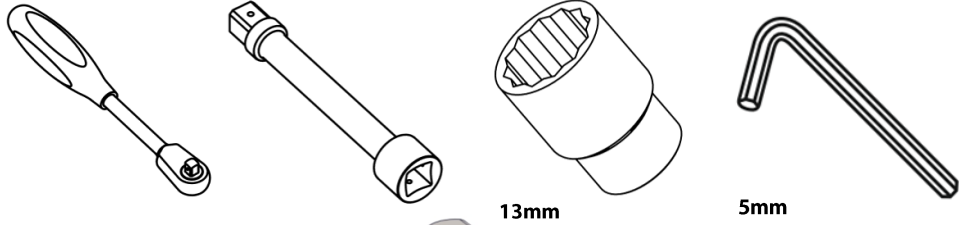
8



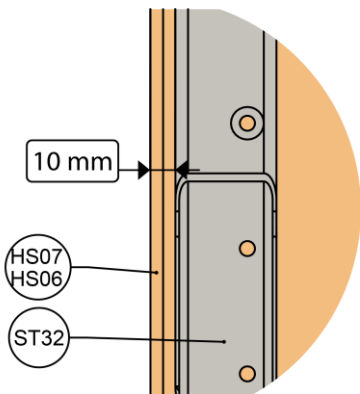
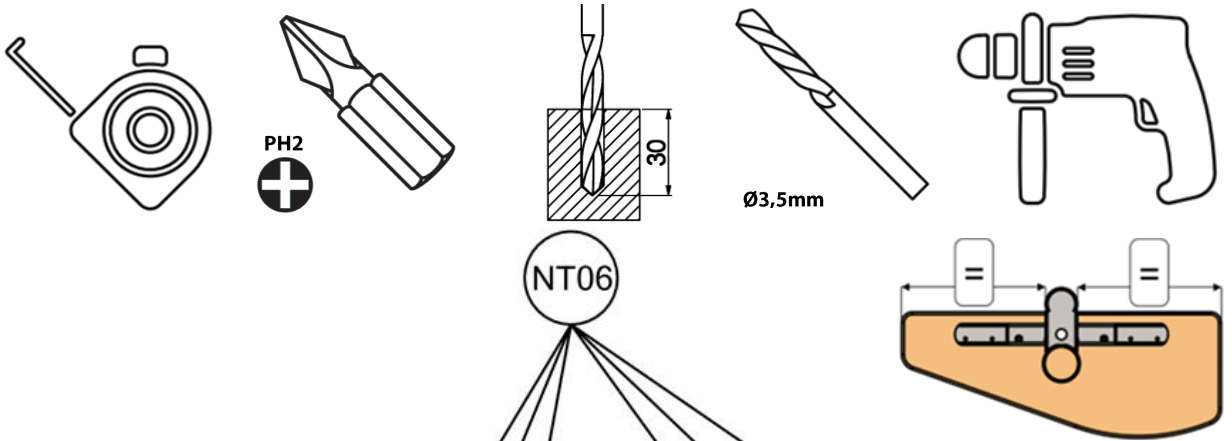
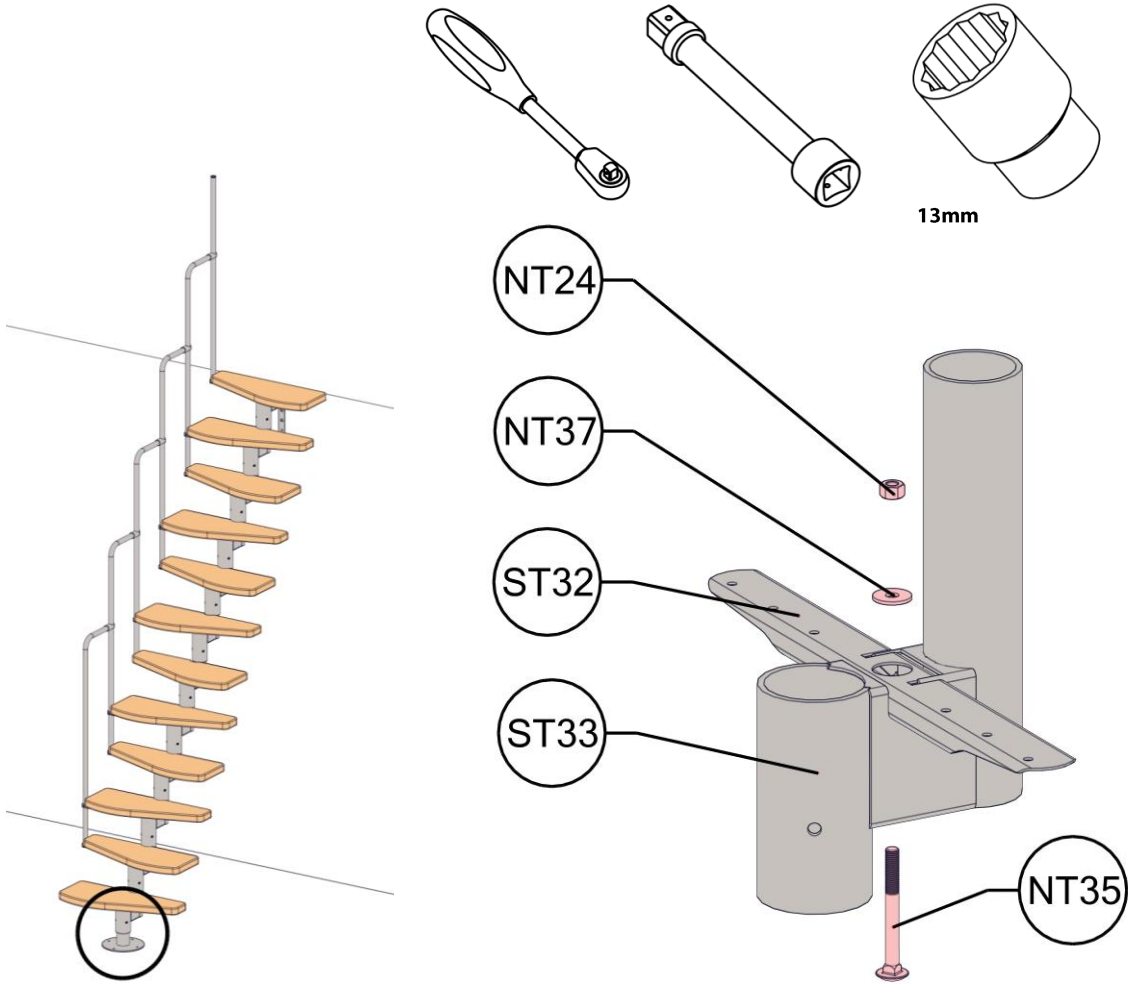
13mm



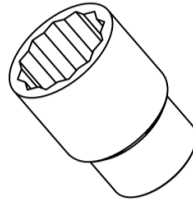
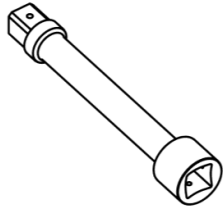
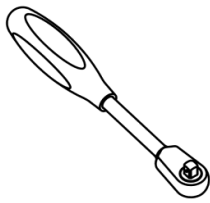
11



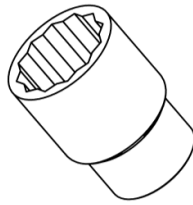
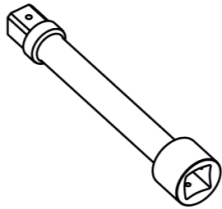
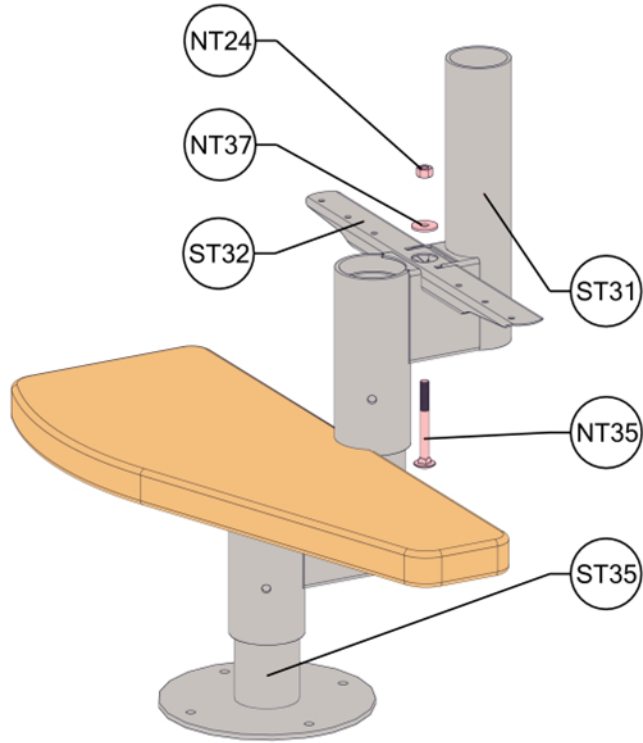
12



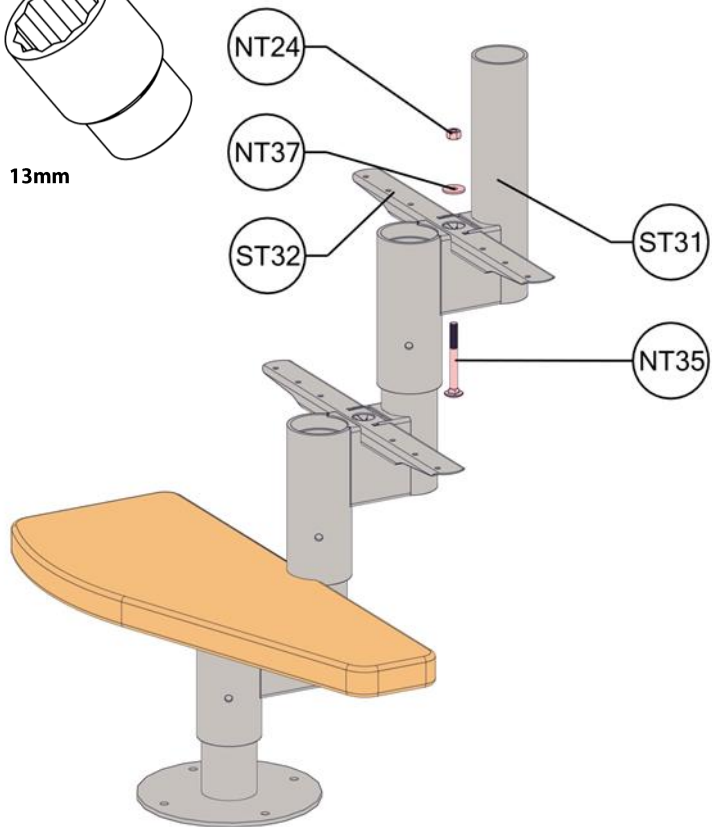
15



13mm

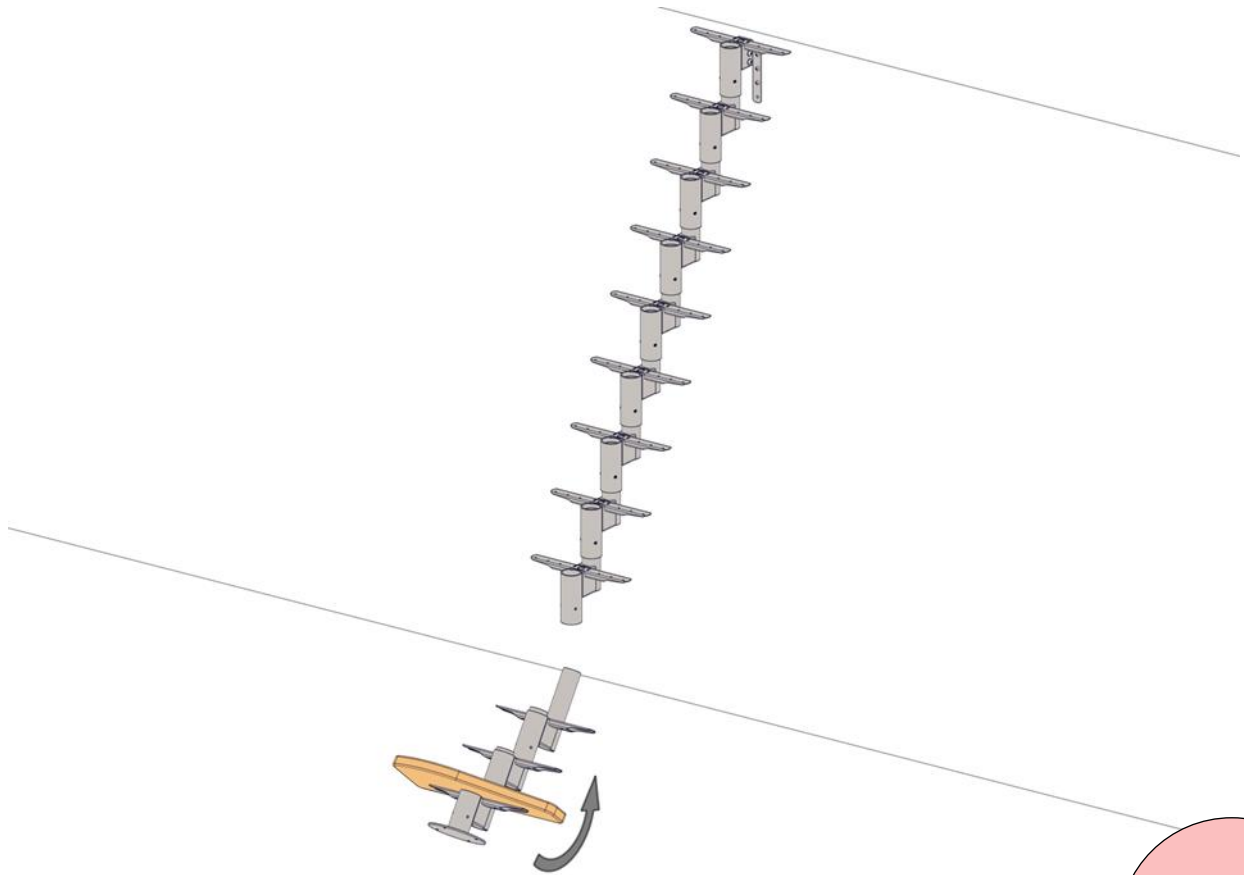
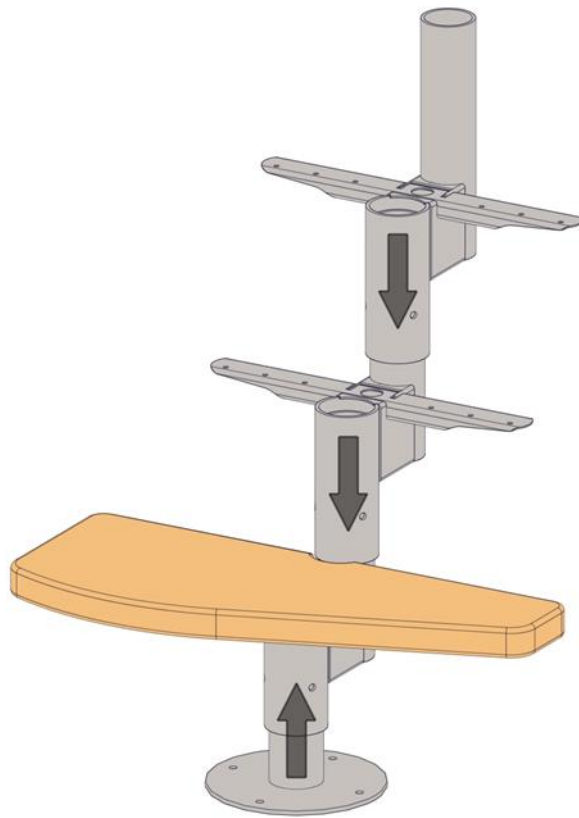


13mm



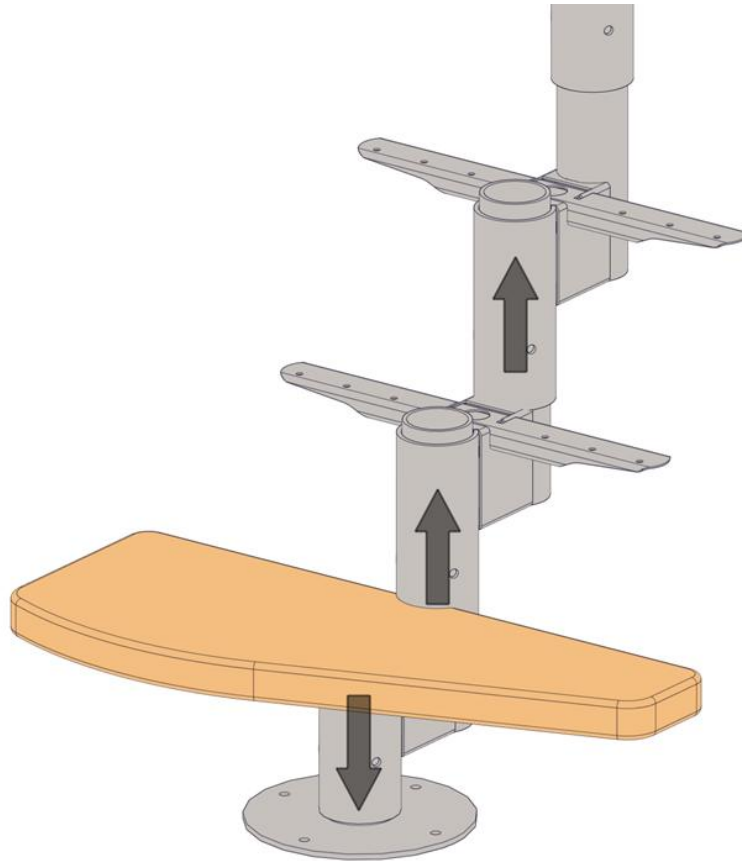
16

17

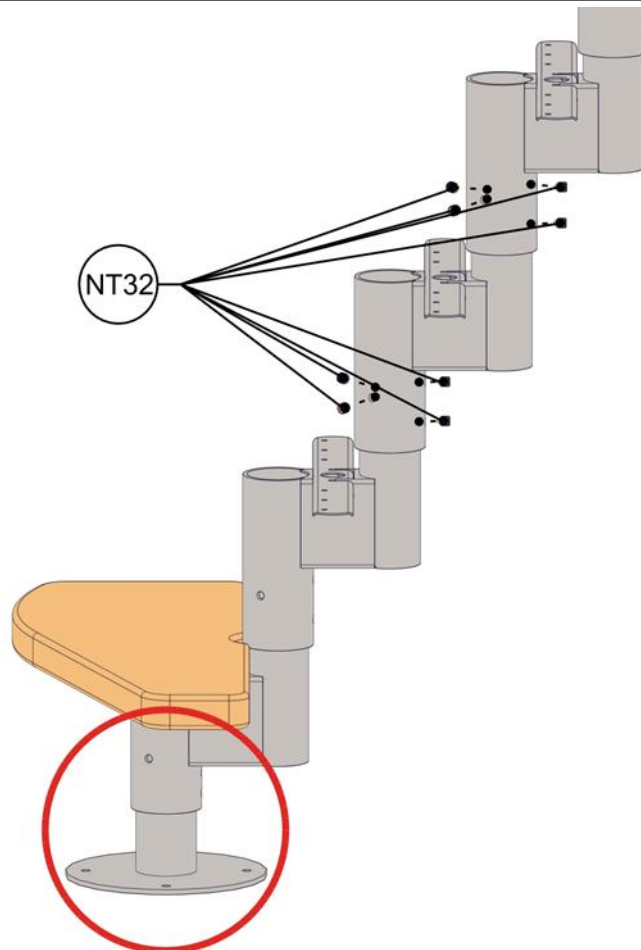


18

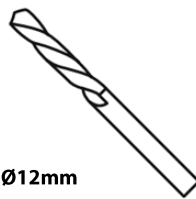
19



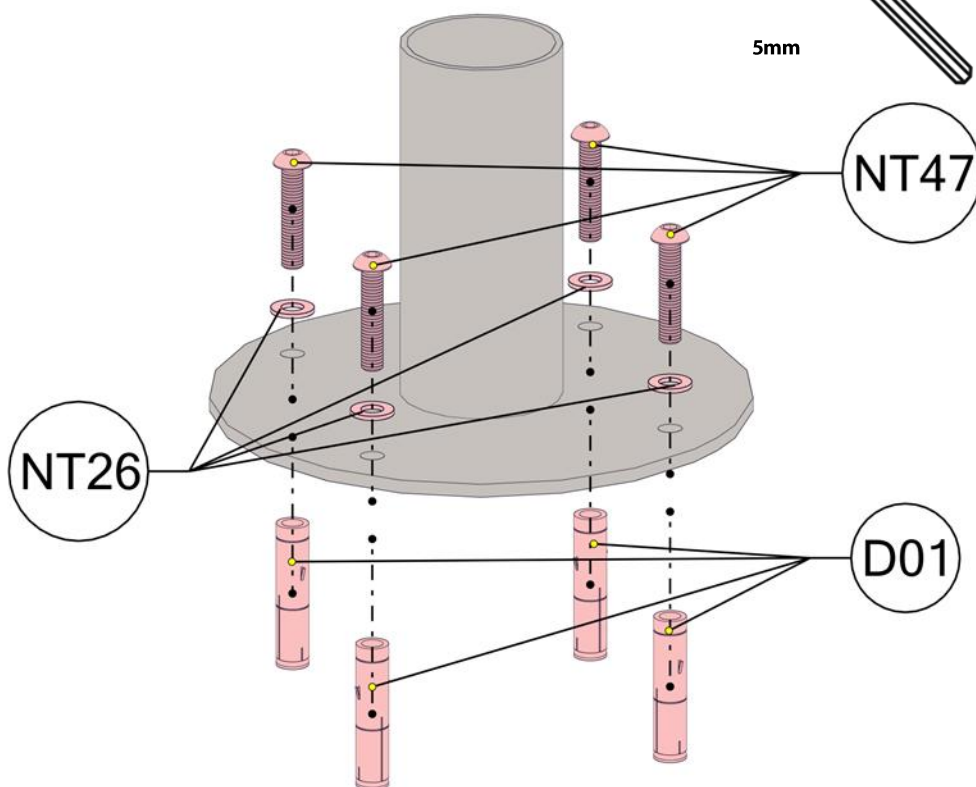
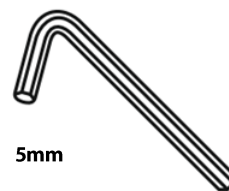
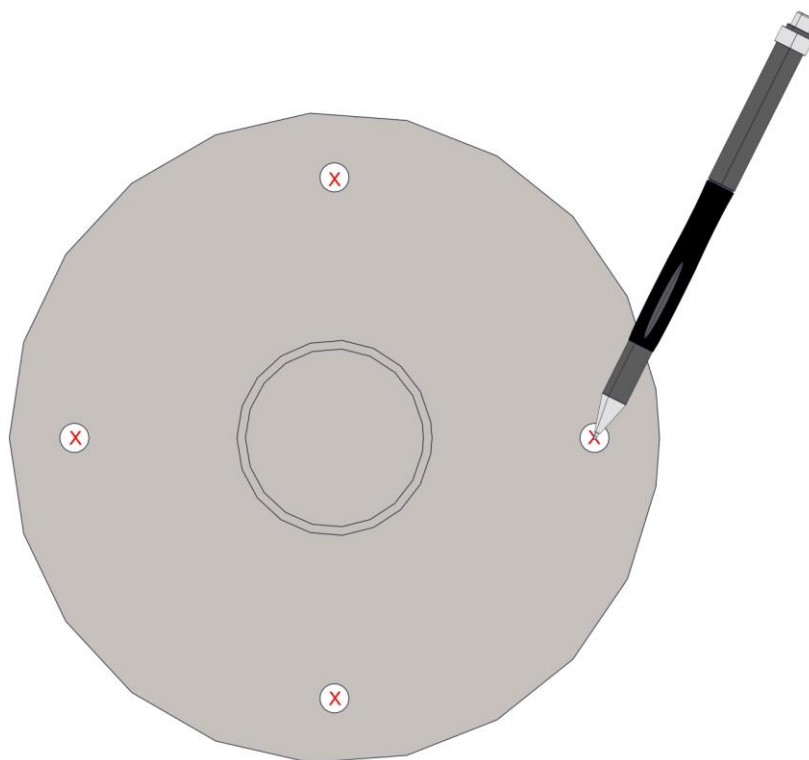
5mm



20

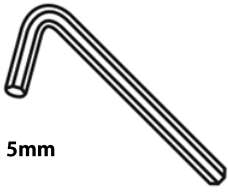


21

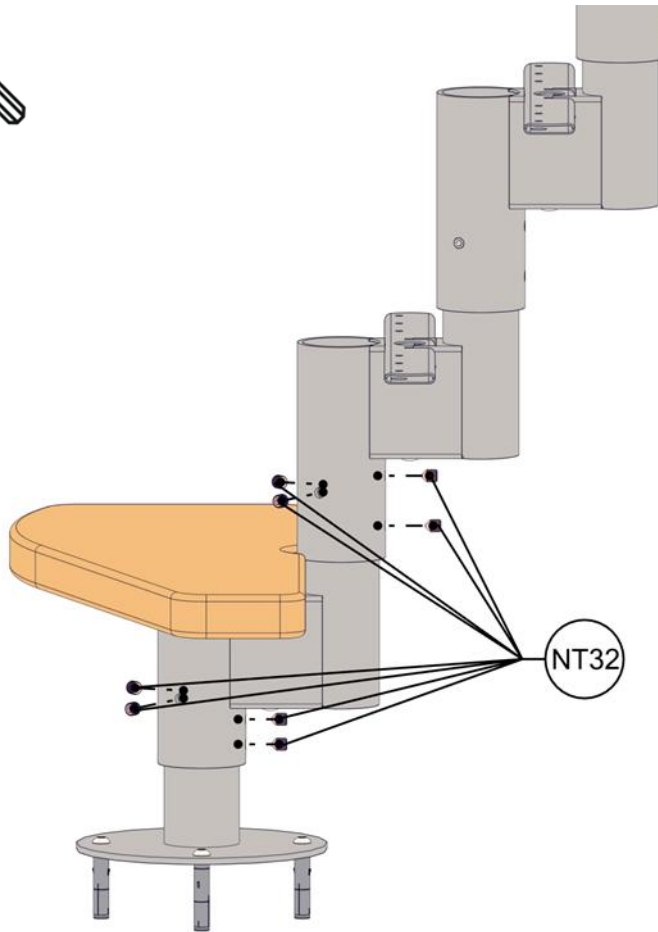


22

23



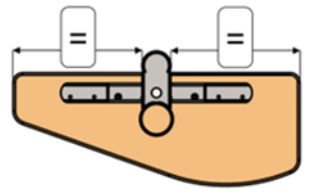
5mm



NT32



40mm



ST22

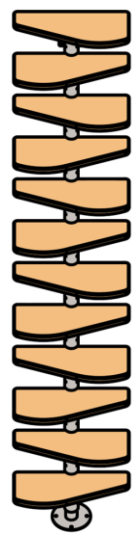
HS07

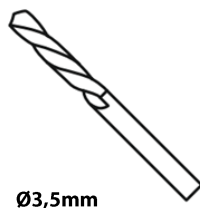
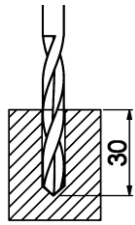
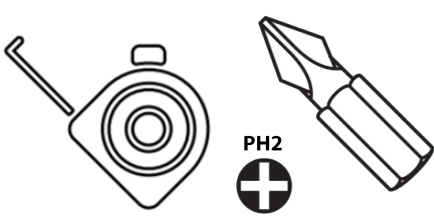
10 mm

HS07  
HS06

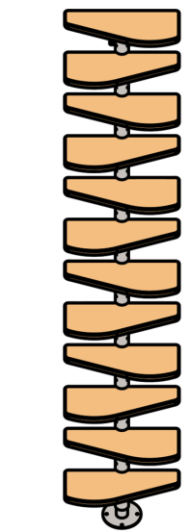
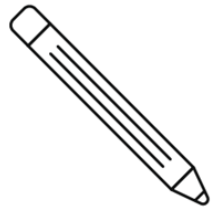
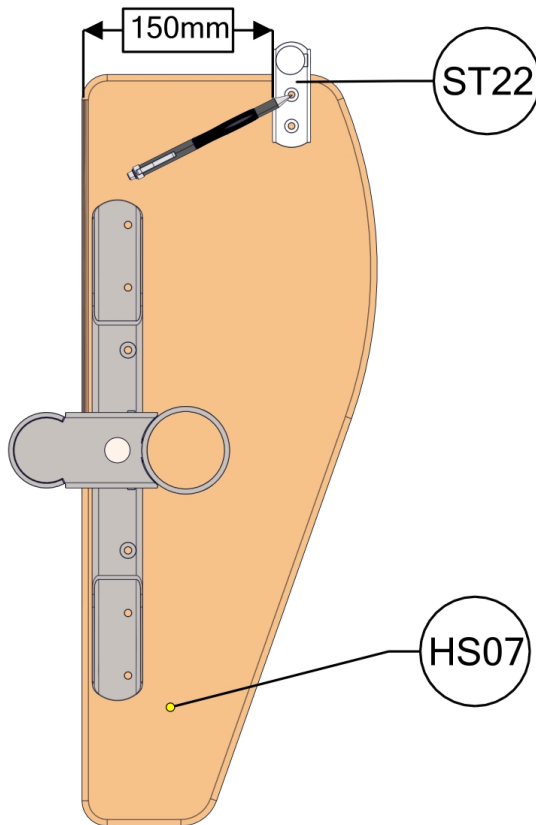
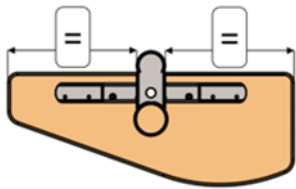
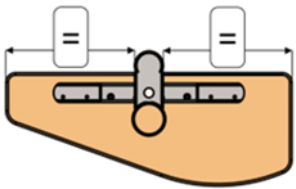
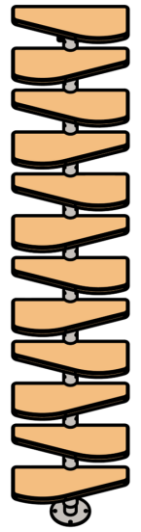
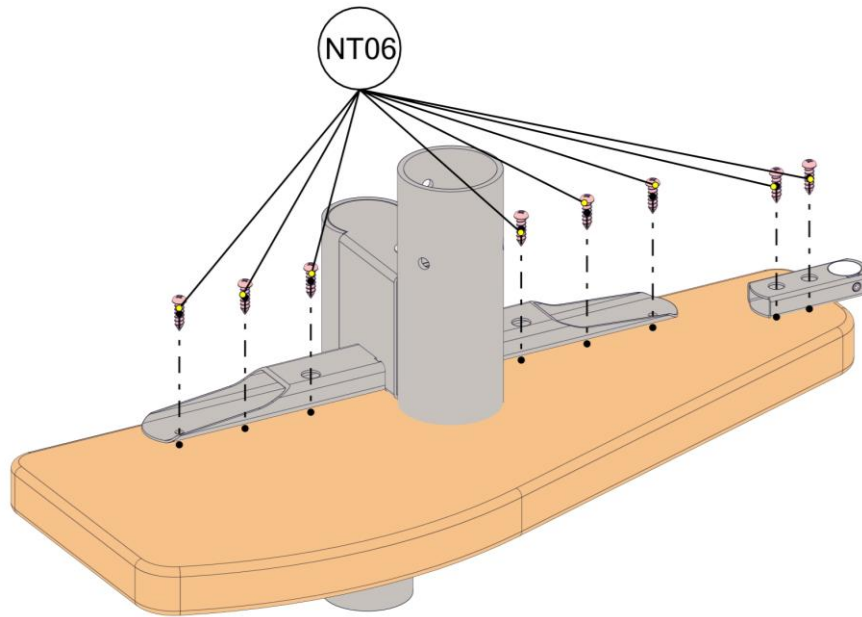
ST32

24

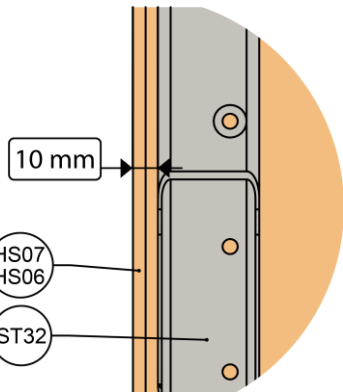




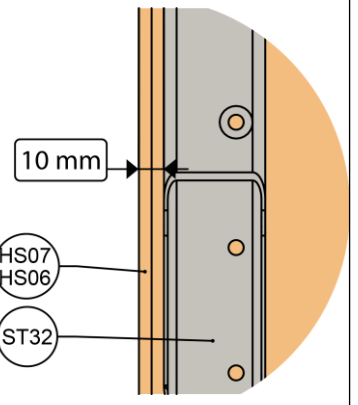
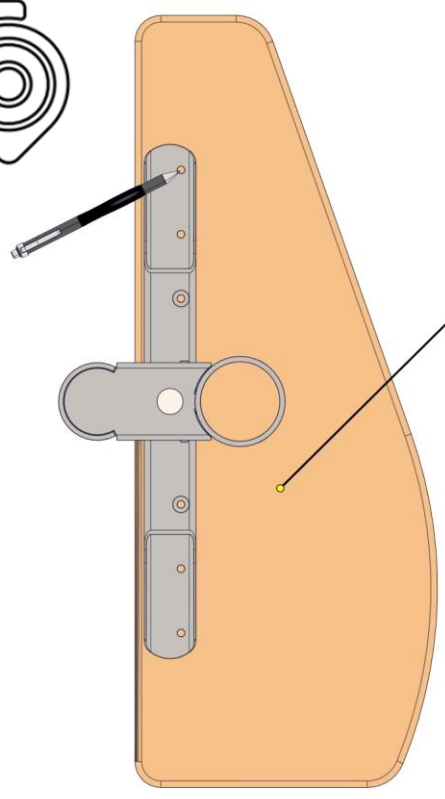
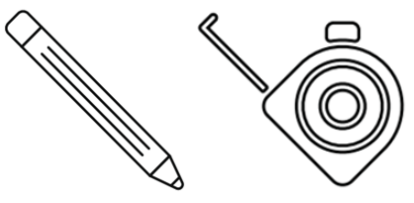
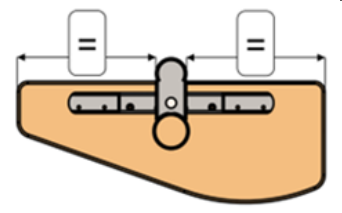
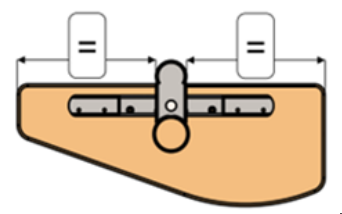
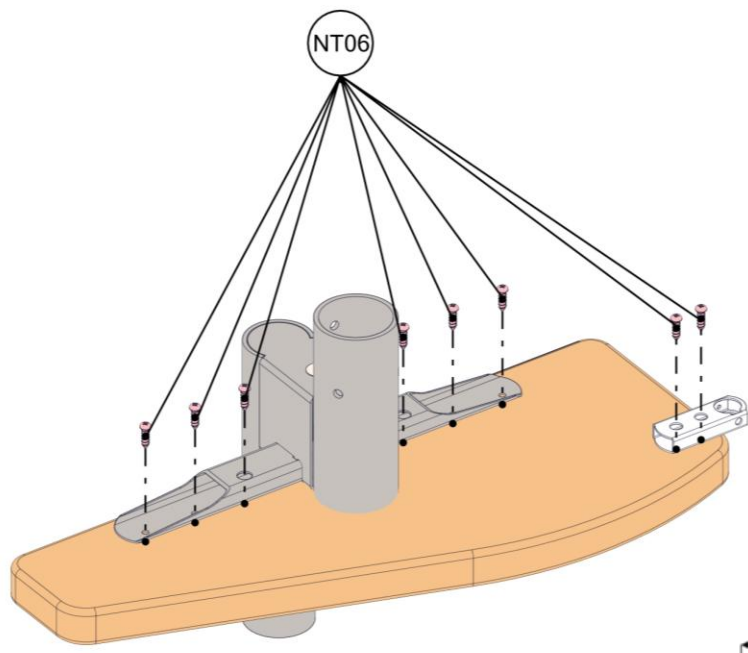
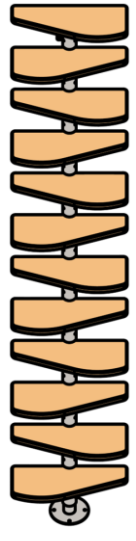
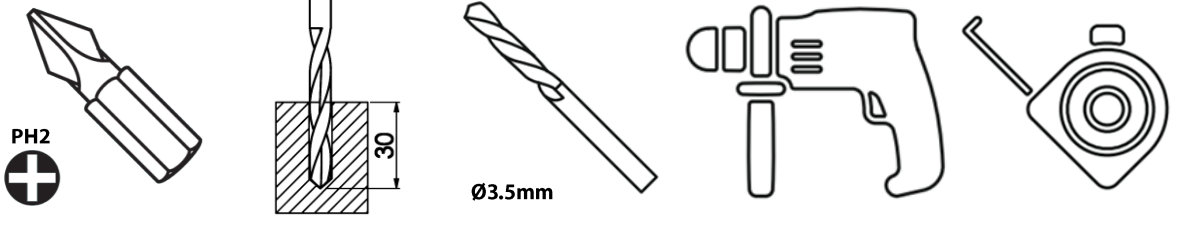
25



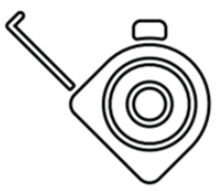
26



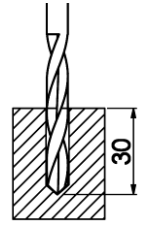
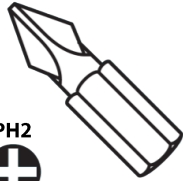
27



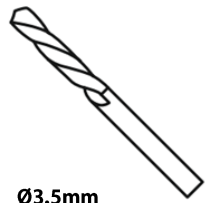
28



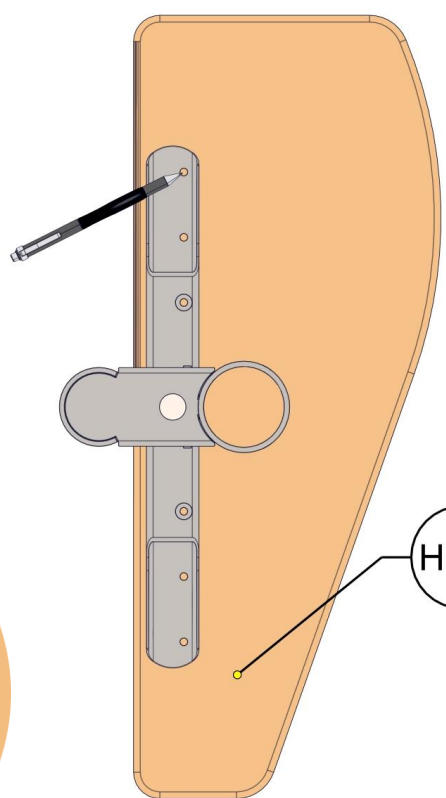
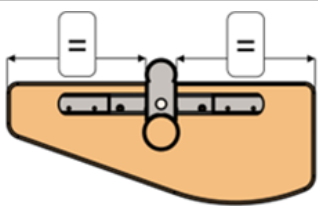
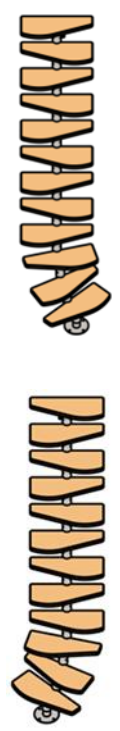
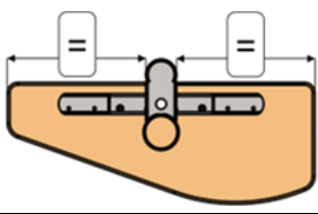
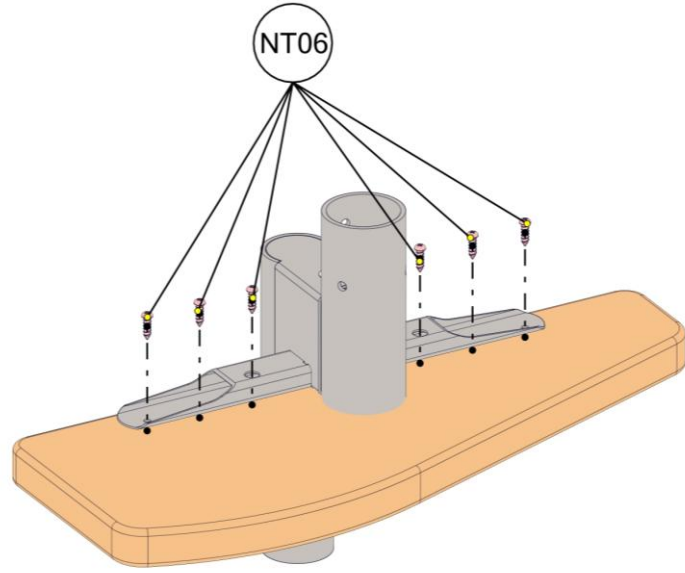
PH2



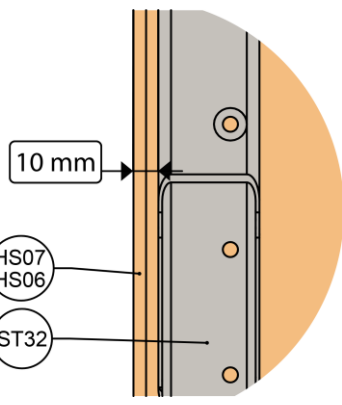
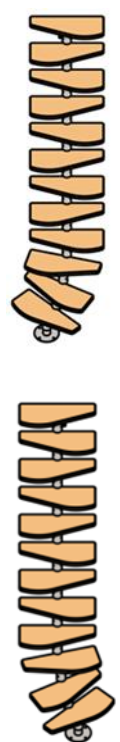
Ø3.5mm



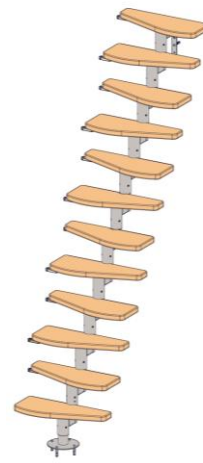
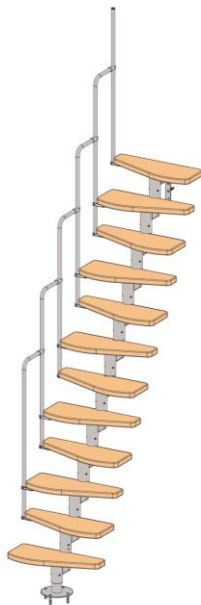
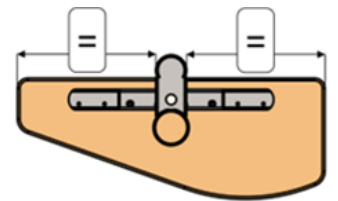
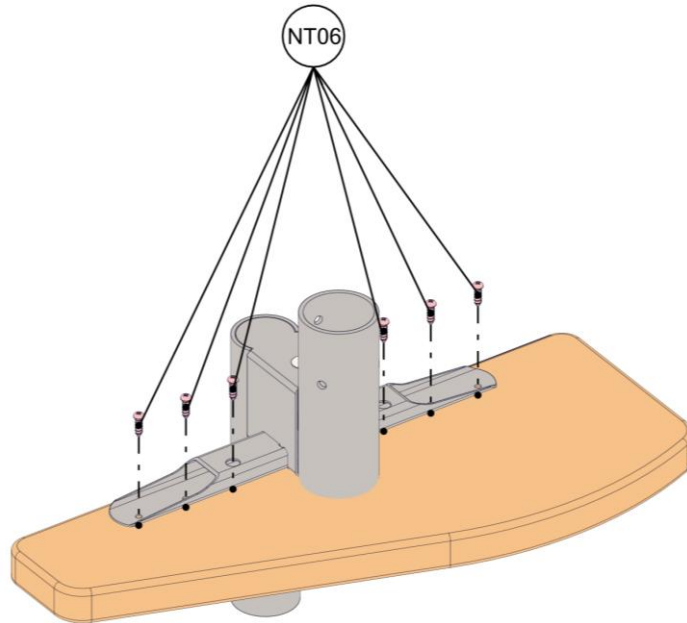
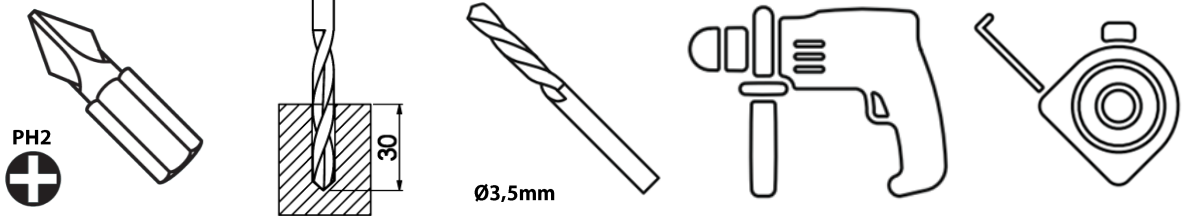
NT06



HS07

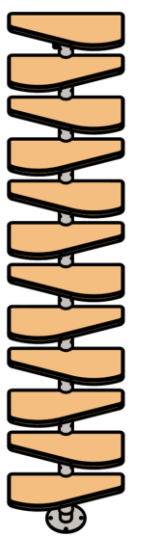
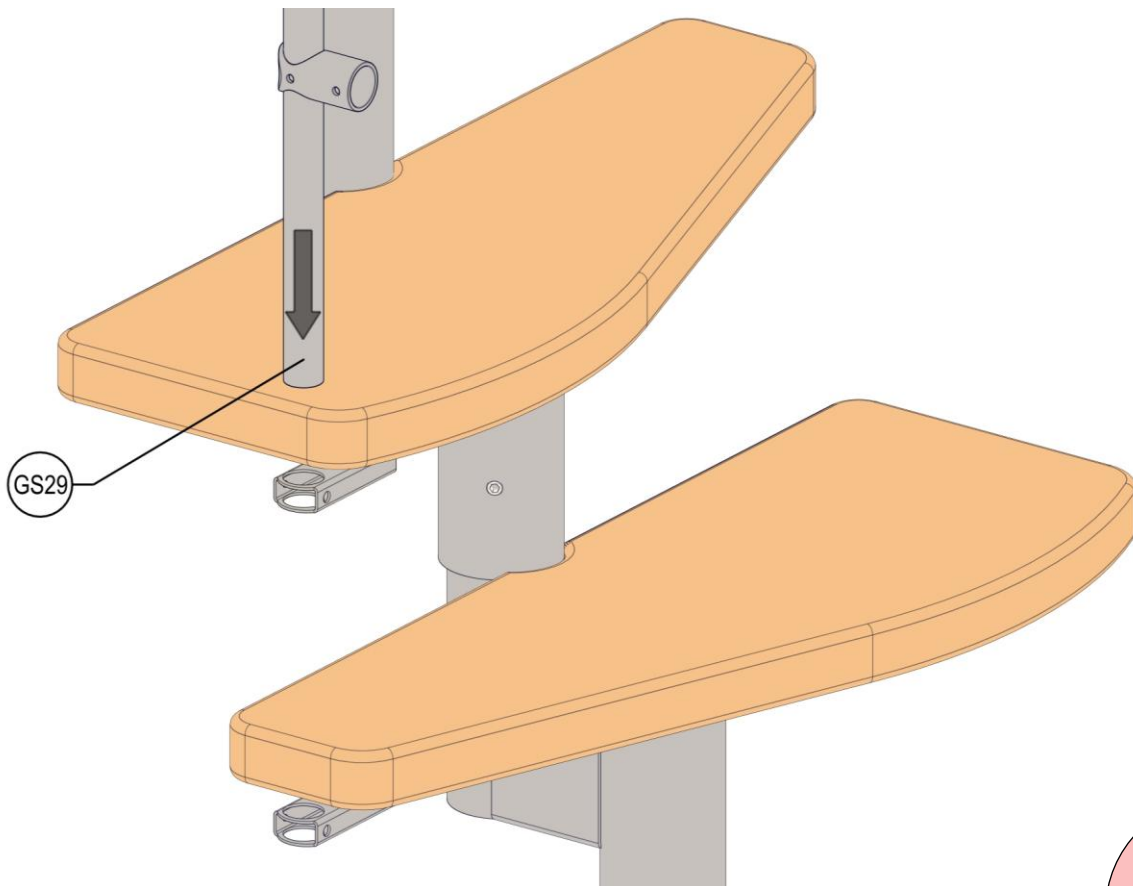
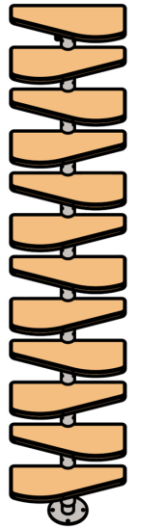
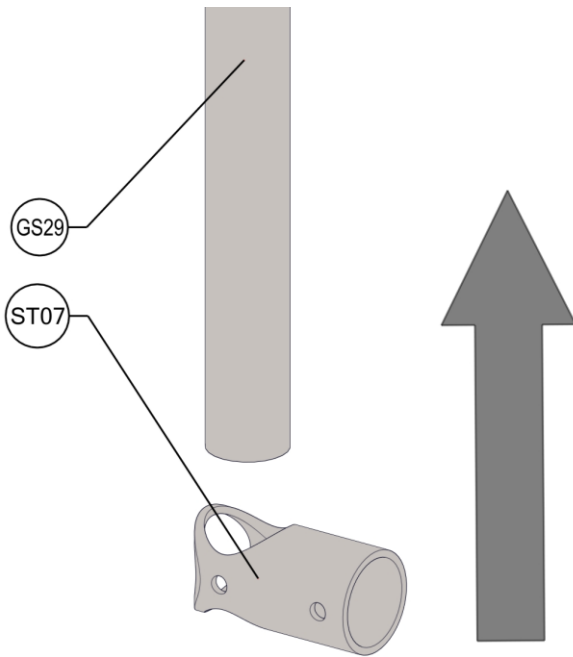


31



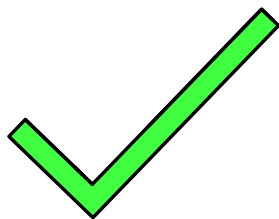
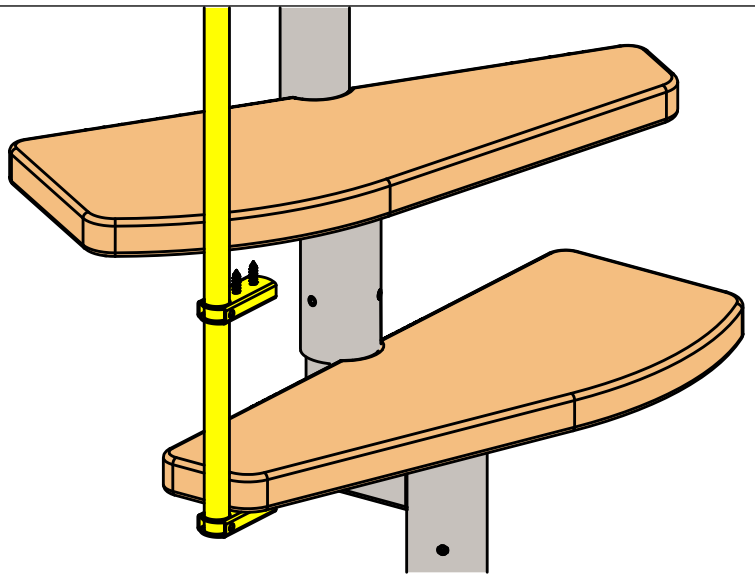
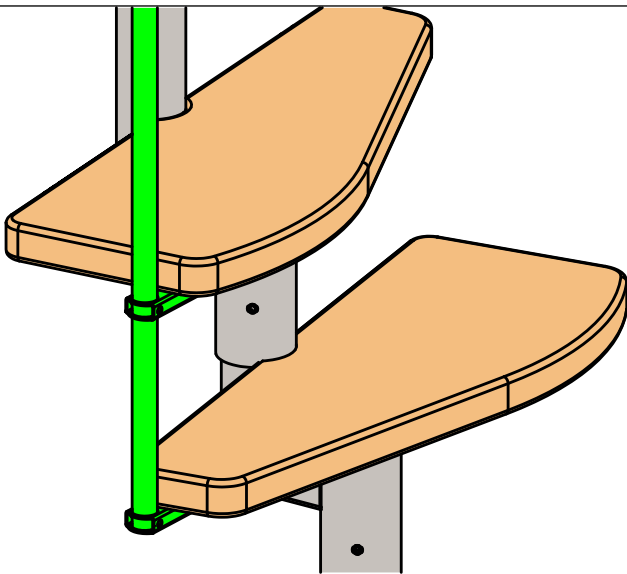
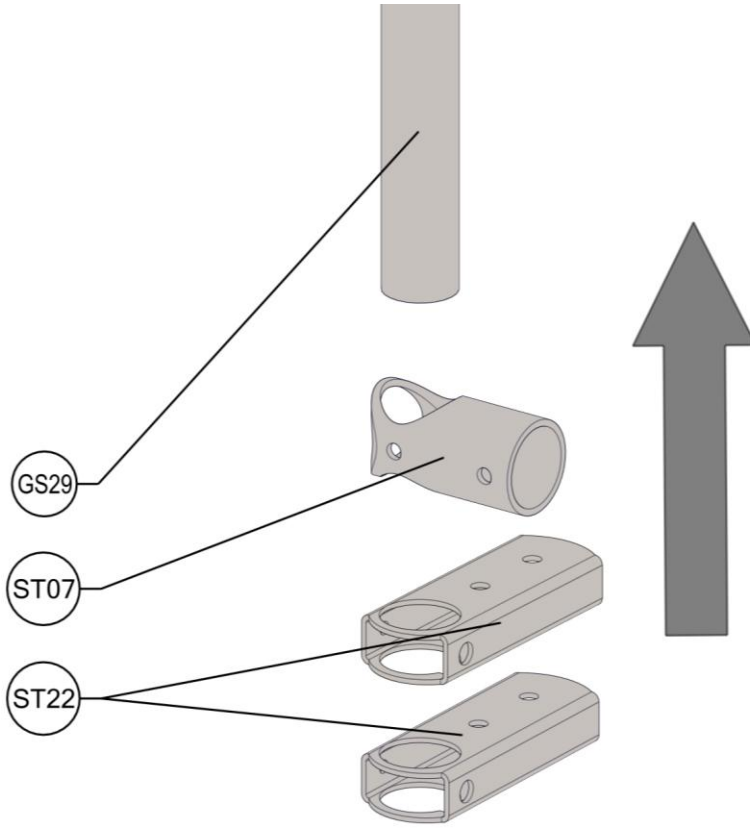
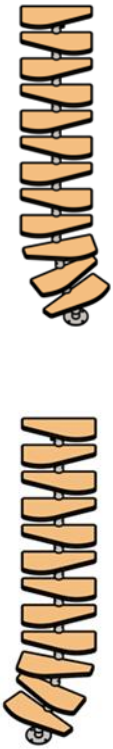
32

33

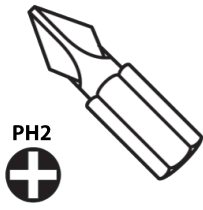


34

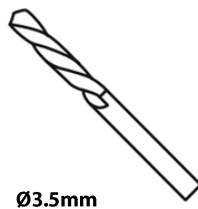
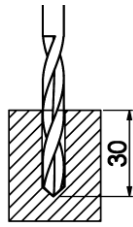
35



36



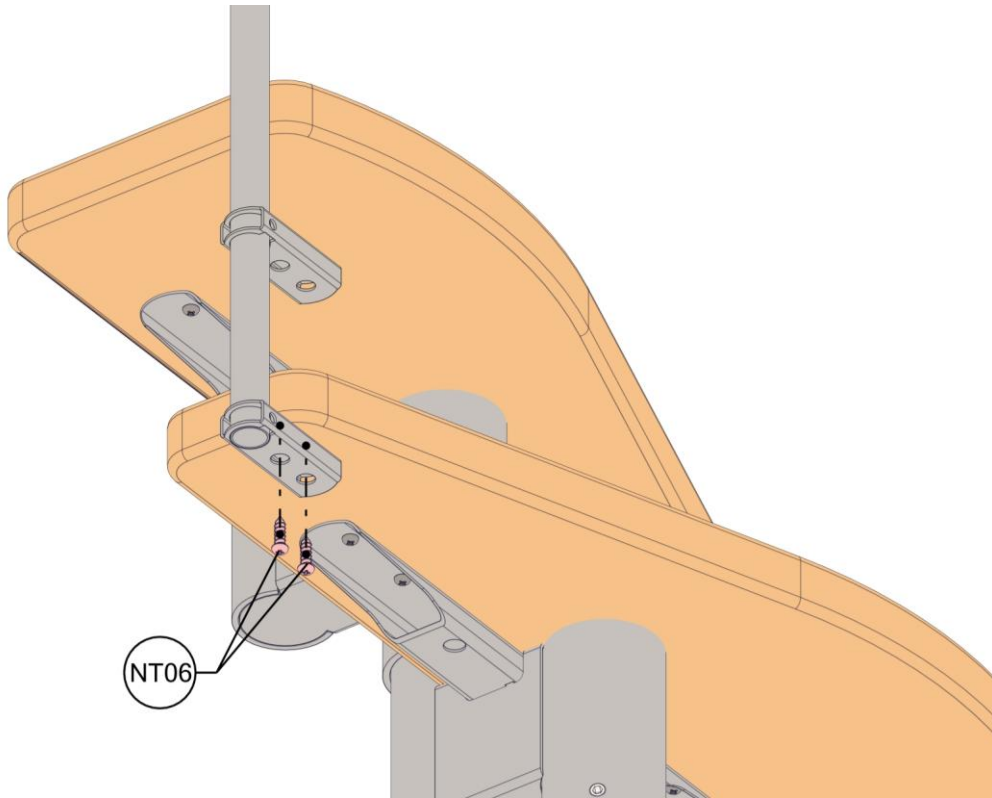
PH2



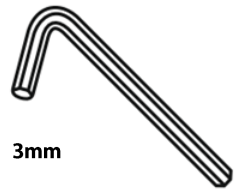
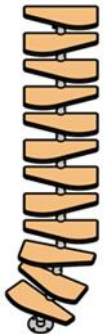
Ø3.5mm



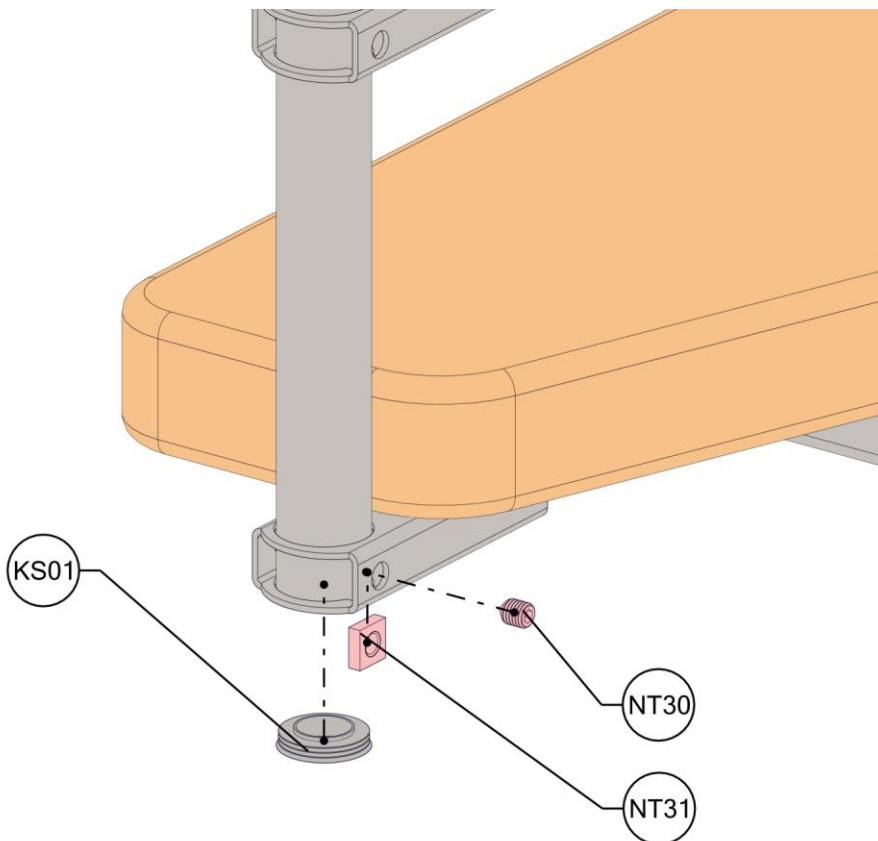
37



NT06



3mm



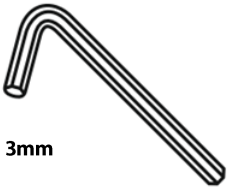
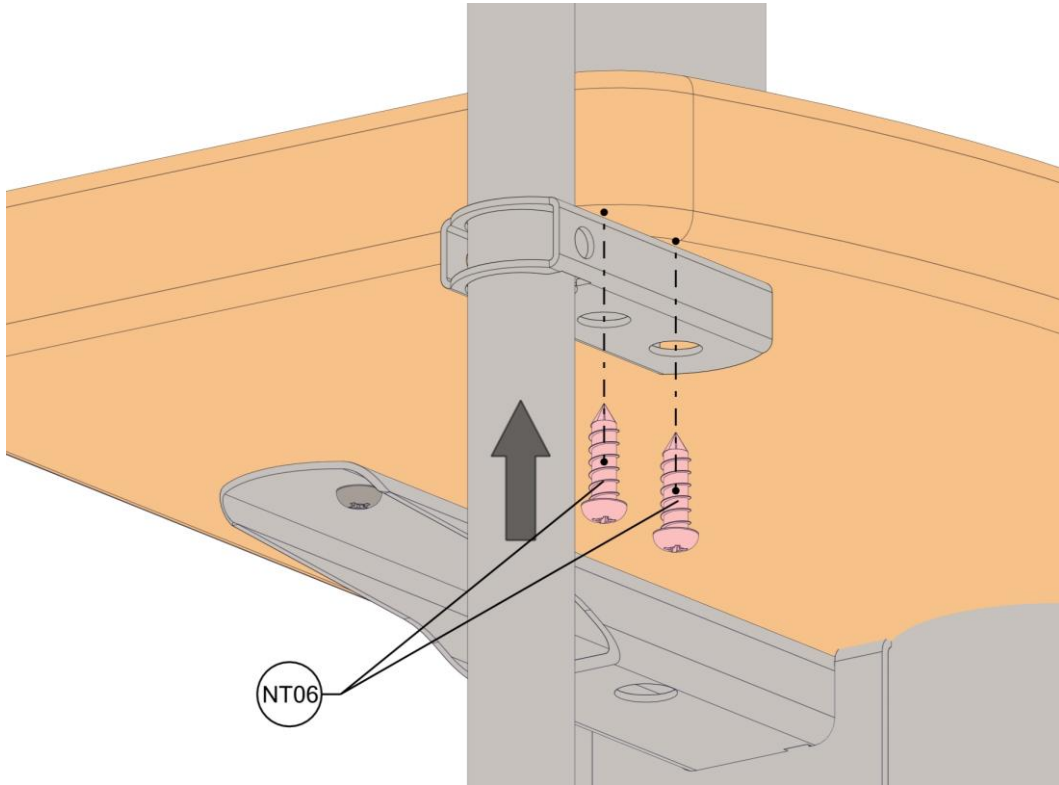
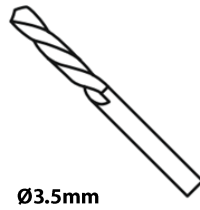
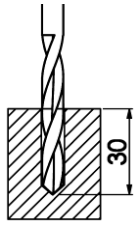
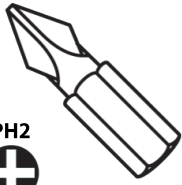
KS01

NT30

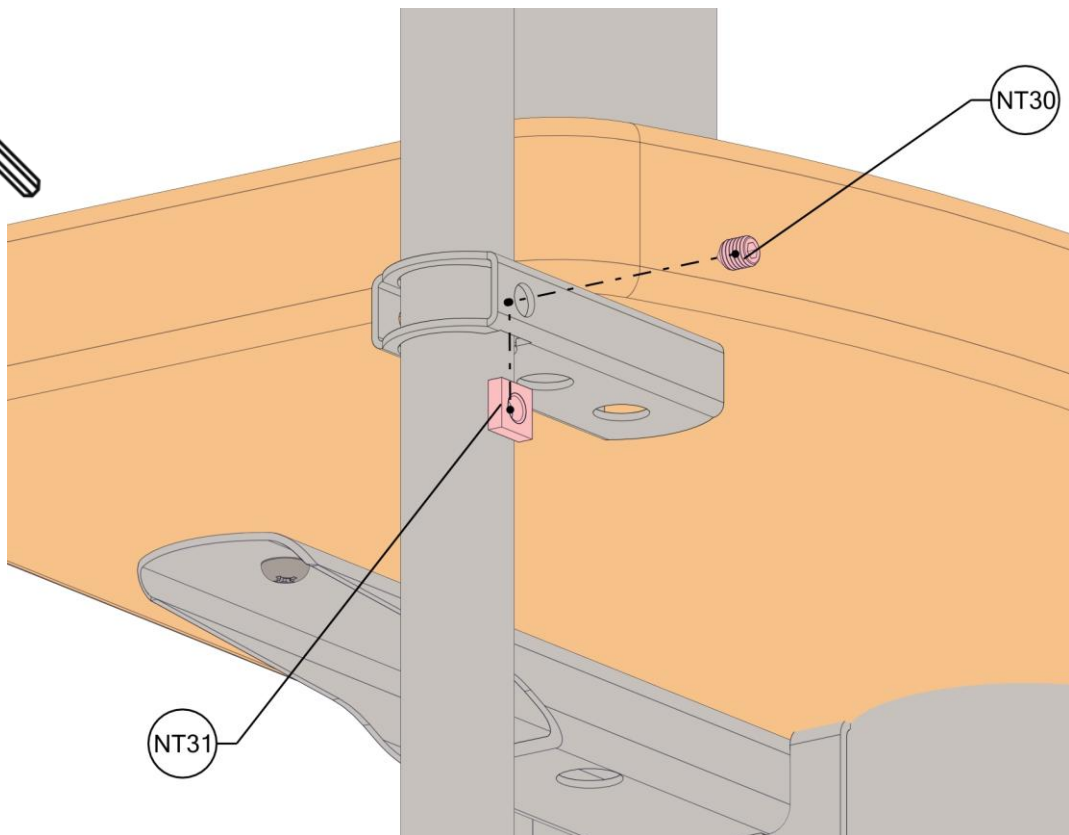
NT31

38

39



3mm



40

